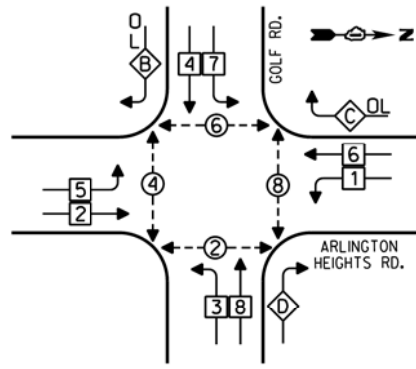


CONTROLLER SEQUENCE

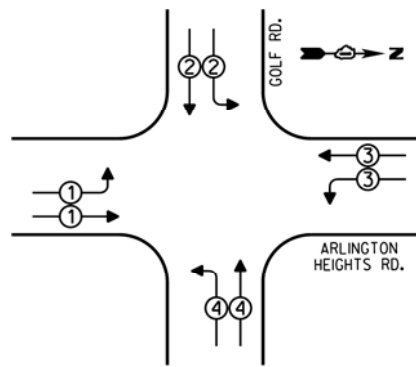


**LEGEND**  
 □ SINGLE ENTRY PHASE  
 ⊕ DUAL ENTRY PHASE  
 ⊕ OVERLAP  
 ⊕ PEDESTRIAN PHASE  
 \* NUMBER REFERS TO ASSOCIATED PHASE

PHASE DESIGNATION DIAGRAM

OVERLAP LETTER	PERMISSIVE PHASE	PROTECTED PHASE
B	= 4	+ 5
C	= 6	+ 7
D	= 8	+ 1

EMERGENCY VEHICLE PREEMPTION SEQUENCE



EMERGENCY VEHICLE PREEMPTORS				
EMERGENCY VEHICLE PREEMPTOR	1	2	3	4
MOVEMENT	→	↓	←	↑

I.D.O.T. TRAFFIC SIGNAL INSTALLATION ELECTRICAL SERVICE REQUIREMENTS					TOTAL WATTAGE
TYPE	NO. OF LAMPS	INCAND	LED % OPERATIONS	WATTAGE	
SIGNAL (RED)	24		0.50	17	204.00
(YELLOW)	24		0.25	25	150.00
(GREEN)	24		0.25	15	90.00
ARROW	12		0.10	12	14.40
PED. SIGNAL	8		1.00	25	200.00
CONTROLLER	1		1.00	100	100.00
ILLUM. SIGN			0.05	25	
LUMINAIRE		250	0.50		
VIDEO SYSTEM		150	1.00		
FLASHER			0.50		
ENERGY COSTS TO:				TOTAL	758.40

VILLAGE OF ARLINGTON HEIGHTS  
 33 SOUTH ARLINGTON HEIGHTS ROAD  
 ARLINGTON HEIGHTS, ILLINOIS 60005

ENERGY SUPPLY - CONTACT: DAVE SCHACHT  
 PHONE: (630) 437-2129  
 COMPANY: COMED

FILE NAME =	USER NAME = #USER#	DESIGNED -	REVISED -
#FILE#		DRAWN -	REVISED -
#MODELNAME#		CHECKED -	REVISED -
		DATE -	REVISED -

DESIGNED -	REVISED -
DRAWN -	REVISED -
CHECKED -	REVISED -
DATE -	REVISED -

STATE OF ILLINOIS  
 DEPARTMENT OF TRANSPORTATION

CABLE PLAN, PHASE DESIGNATION DIAGRAM, EMERGENCY VEHICLE PREEMPTION SEQUENCE, AND SCHEDULE OF QUANTITIES  
 ARLINGTON HEIGHTS ROAD AT GOLF ROAD

SCALE: NONE SHEET OF SHEETS STA. TO STA.

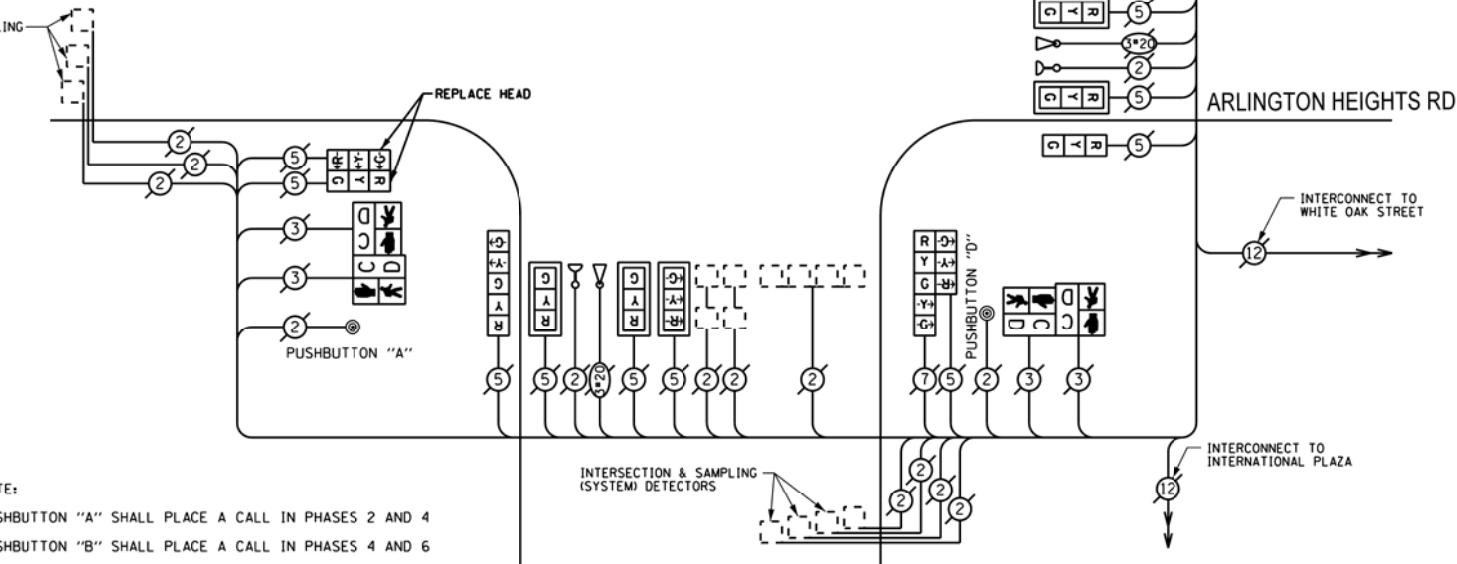
F.A. RTE.	SECTION	COUNTY	TOTAL SHEETS	SHEET NO.
VAR	2013-005-1	COOK	85	23
			CONTRACT NO. 60W23	
ILLINOIS/FED. AID PROJECT				

NOTE:  
 PUSHBUTTON "A" SHALL PLACE A CALL IN PHASES 2 AND 4  
 PUSHBUTTON "B" SHALL PLACE A CALL IN PHASES 4 AND 6  
 PUSHBUTTON "C" SHALL PLACE A CALL IN PHASES 6 AND 8  
 PUSHBUTTON "D" SHALL PLACE A CALL IN PHASES 2 AND 8

REMOVE EXISTING TRAFFIC SIGNAL EQUIPMENT

THE FOLLOWING ITEMS SHALL BE REMOVED BY THE CONTRACTOR AND SHALL BE DISPOSED OF BY THEM OUTSIDE THE RIGHT-OF-WAY AT THEIR EXPENSE. THE SALVAGE VALUE OF THE REMOVED EQUIPMENT SHALL BE REFLECTED IN THE CONTRACT BID PRICE.

QUANTITY	UNIT	DESCRIPTION
1	EACH	SIGNAL HEAD, 2-FACE, 3-SECTION
4	EACH	PEDESTRIAN SIGNAL HEAD, 2-FACE
4	EACH	PEDESTRIAN PUSHBUTTON



CABLE PLAN

RETROFIT ALL EXISTING TRAFFIC SIGNAL HEADS EXCEPT AS NOTED

THE TRAFFIC SIGNAL HOUSINGS SHALL BE YELLOW TO MATCH EXISTING EQUIPMENT.

THE TRAFFIC SIGNAL CONTROL EQUIPMENT FOR THIS PROJECT SHALL BE "EAGLE".

SCHEDULE OF QUANTITIES

QUAN.	UNIT	ITEM
1	EACH	MAINTENANCE OF EXISTING TRAFFIC SIGNAL INSTALLATION
1	EACH	SIGNAL HEAD, LED, 2-FACE, 3-SECTION, BRACKET MOUNTED
4	EACH	PEDESTRIAN SIGNAL HEAD, LED, 2-FACE, BRACKET MOUNTED WITH COUNTDOWN TIMER
4	EACH	PEDESTRIAN PUSH-BUTTON
1	EACH	MODIFY EXISTING CONTROLLER CABINET
1	EACH	REMOVE EXISTING TRAFFIC SIGNAL EQUIPMENT
1	EACH	UNINTERRUPTIBLE POWER SUPPLY, SPECIAL
3	EACH	SIGNAL HEAD, LED, 2-FACE, 1-3 SECTION, 1-5 SECTION, BRACKET MOUNTED, RETROFIT
1	EACH	SIGNAL HEAD, LED, 1-FACE, 3-SECTION, BRACKET MOUNTED, RETROFIT
12	EACH	SIGNAL HEAD, LED, 1-FACE, 3-SECTION, MAST ARM MOUNTED, RETROFIT
3	EACH	SIGNAL HEAD, LED, 1-FACE, 5-SECTION, BRACKET MOUNTED, RETROFIT