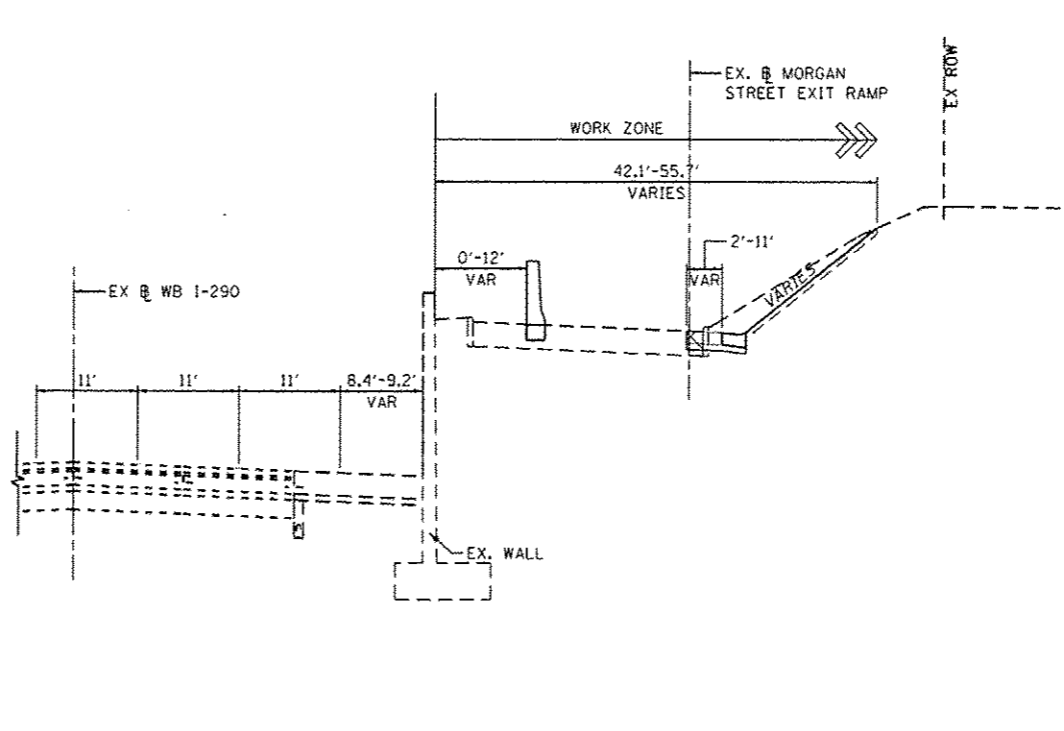
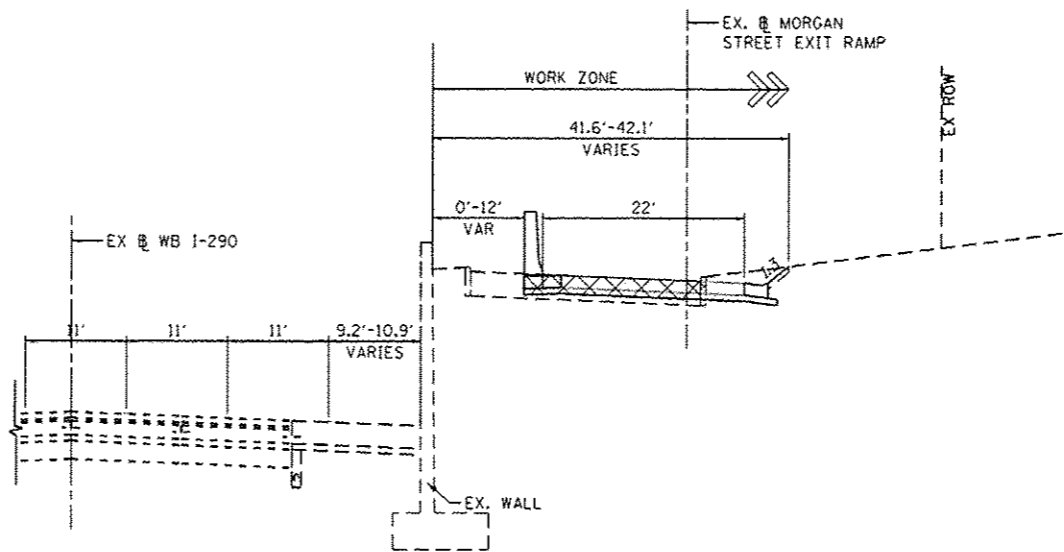


**STAGE 1**  
STA 1005+60.10 TO STA 1005+94.16



**STAGE 2**  
STA 1002+96.41 TO STA 1005+37.00



**STAGE 2**  
STA 1005+37.00 TO STA 1005+60.00

**INTERIM MORGAN STREET EXIT RAMP  
MAINTENANCE OF TRAFFIC  
TYPICAL SECTION**

- LEGEND**
- WORK ZONE
  - TEMPORARY IMPACT ATTENUATOR
  - TEMPORARY CONCRETE BARRIER
  - TYPE II BARRICADES OR DRUMS WITH STEADY BURN MONODIRECTIONAL LIGHT (AT SPECIFIED SPACING)
  - TEMPORARY SOIL RETENTION SYSTEM OR BRACED EXCAVATION
  - DIRECTION OF TRAFFIC FLOW
  - SIGN
  - VERTICAL PANEL WITH STEADY BURNING LIGHT (AT SPECIFIED SPACING)
  - ARROW BOARD
  - TYPE III BARRICADE
  - BARRICADE OR DRUM WITH FLASHING LIGHT
  - TEMPORARY PAVEMENT MARKING - LINE 4"
  - REMOVAL LIMITS

FILE PATH: C:\Users\chuh\OneDrive\Documents\60160\6025-011-5\staging\typical-02.dgn



D:\6025-011-5\Staging\Typical-02.dgn  
 USER NAME: chuh  
 PLOT SCALE: 1/8" = 1'-0"  
 PLOT DATE: 7/16/2013

DESIGNED - OPS	REVISED - 7/19/2013
DRAWN - OPS	REVISED -
CHECKED - DBM	REVISED -
DATE - 6/17/2013	REVISED -

STATE OF ILLINOIS  
DEPARTMENT OF TRANSPORTATION

SUGGESTED STAGES OF CONSTRUCTION AND TRAFFIC CONTROL  
TYPICAL SECTIONS

SCALE: N.T.S. SHEET 2 OF 3 SHEETS STA. TO STA.

F.A.I. RTE.	SECTION	COUNTY	TOTAL SHEETS	SHEET NO.
90/94/290	2013-007R	COOK	317	54
CONTRACT NO. 60W25				
ILLINOIS FED. AID PROJECT				