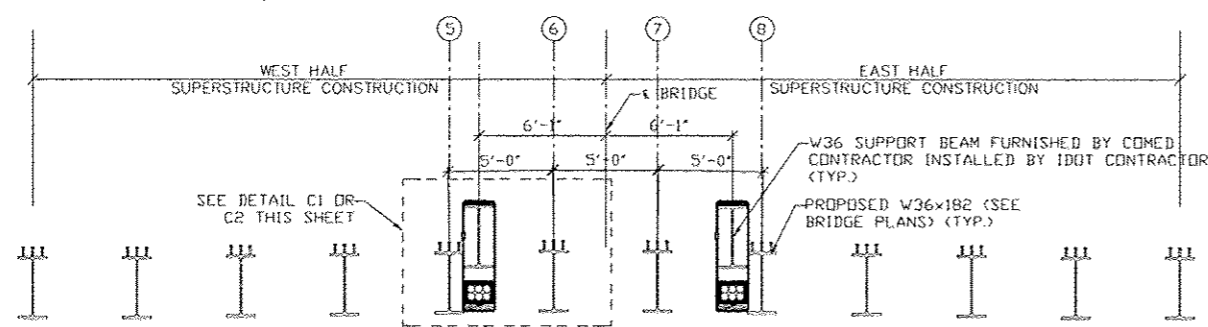
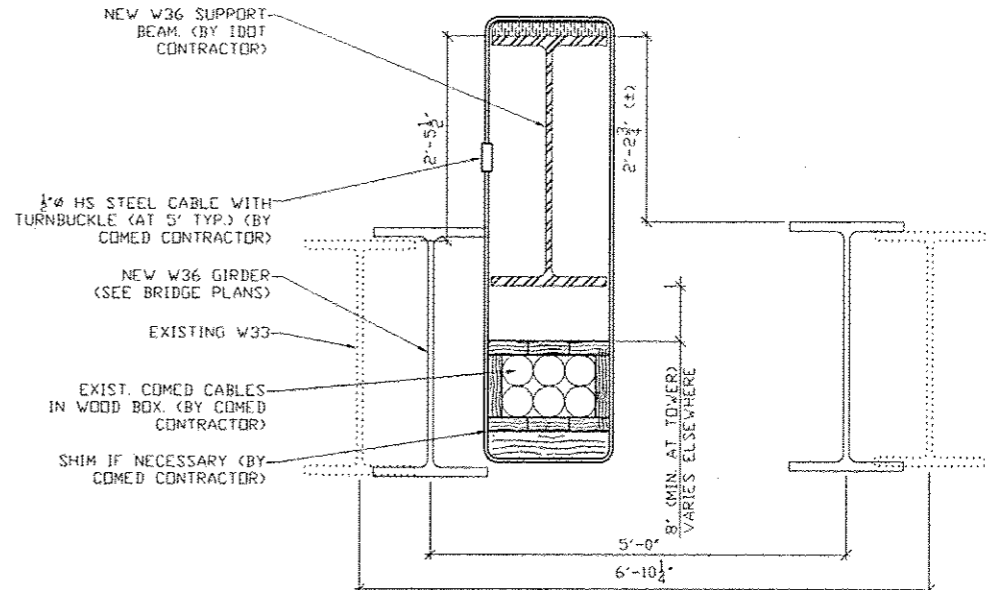


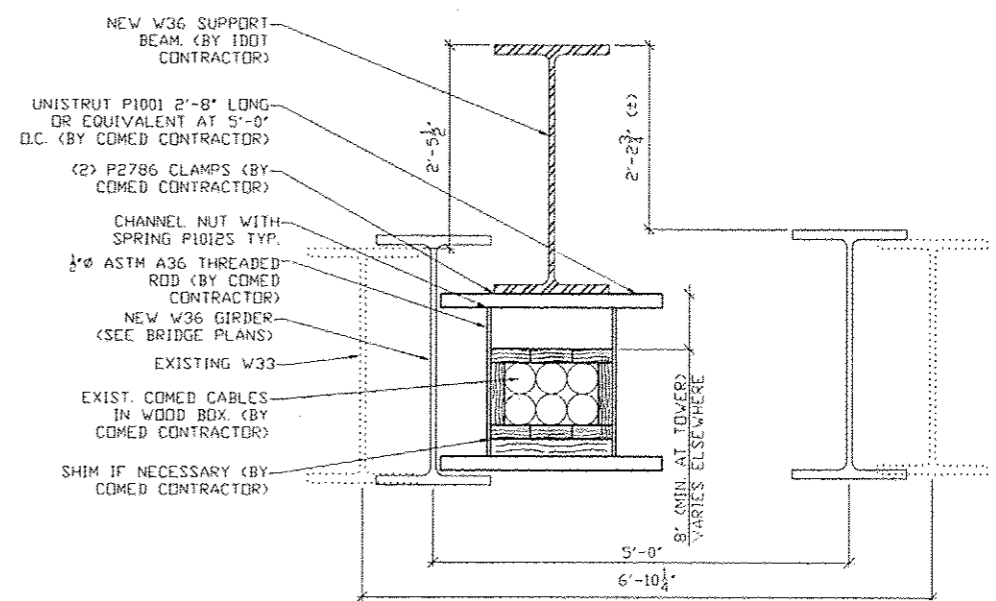
**(A) EXISTING BRIDGE CROSS SECTION**  
SCALE: 1/4" = 1'-0"



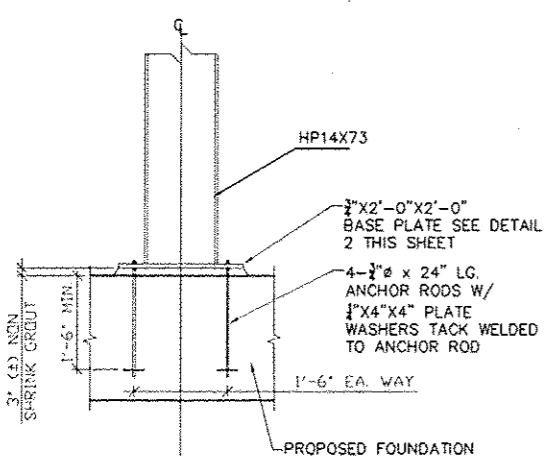
**(B) PROPOSED BRIDGE CROSS SECTION**  
SCALE: 1/4" = 1'-0"



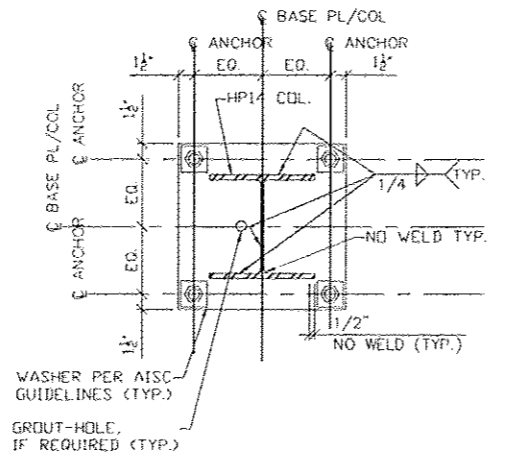
**(C1) TYPICAL SUPPORT DETAIL OPTION**  
SCALE: 1" = 1'-0"



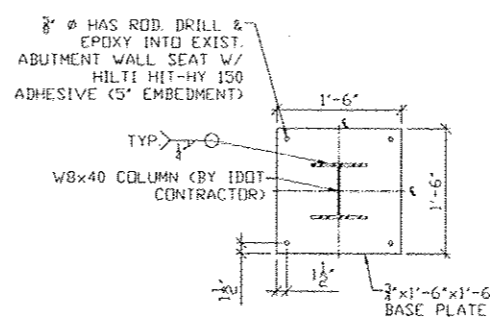
**(C2) TYPICAL SUPPORT DETAIL OPTION**  
SCALE: 1" = 1'-0"



**(1) TYP. BASE PLATE CONNECTION DETAIL**  
SCALE: 3/4" = 1'-0"



**(2) TYP. PLATE DETAILS AND TYPES**  
SCALE: NTS



**(3) ABUTMENT BASE PLATE**  
SCALE: 1" = 1'-0"



STRUCTURAL ENGINEER  
CHICAGO, IL  
EXPIRES 11-30-2014  
*Andrew J. Schwary*  
SIGNATURE  
07-19-2013  
DATE

REV	DATE	DESCRIPTION	BY	CHKD	DATE
07/19/13	ABE/BJM #1		JAH	AJS	



HBK ENGINEERING, LLC  
921 WEST 54th STREET, SUITE 100  
CHICAGO, IL 60607  
PH: (773) 462-0000 FAX: (773) 462-0020  
STATE OF ILLINOIS, DEPARTMENT OF PROFESSIONAL REGULATION, LICENSE NO. 184-001306

ANY MODIFICATION OR ADDITION TO THIS DRAWING BY ANY ORGANIZATION OTHER THAN HBK ENGINEERING IS NOT THE RESPONSIBILITY OF HBK ENGINEERING.  
PROJECT NO. 13-503

REV	DESCRIPTION	P.D.	P.E.	DATE
	MORGAN ST. BRIDGE REBUILT CHICAGO, IL			
	CROSS SECTION DETAILS			
13-503	AS NOTED			
CAD FILE NO.	SCALE	PROJECT DESIGNER	JAH	6/13/2013
PROJECT ENGINEER	EXTENSION	DATE		
DWG. NO. CS		SHEET 92E OF 317		