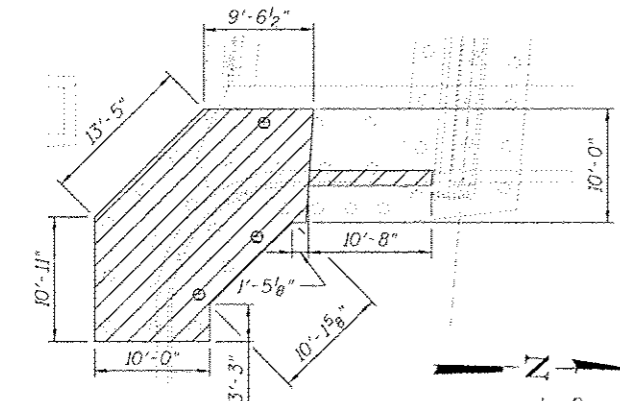


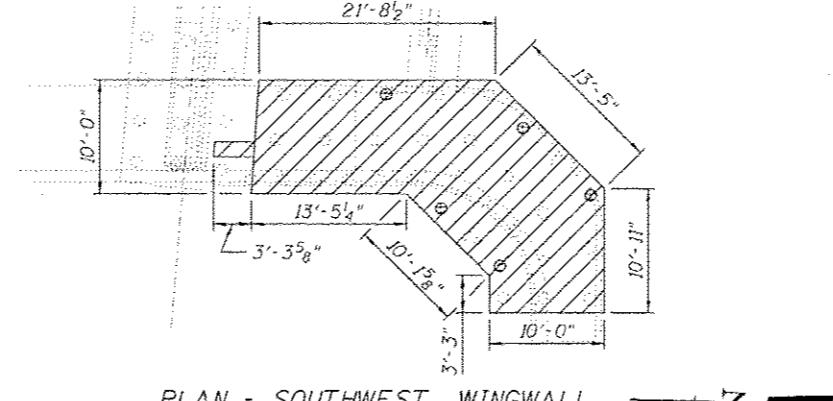
ELEVATION - SOUTHEAST WINGWALL SECTION A-A
(Looking Southwest)

SECTION B-B ELEVATION - SOUTHWEST WINGWALL
(Looking Southeast)

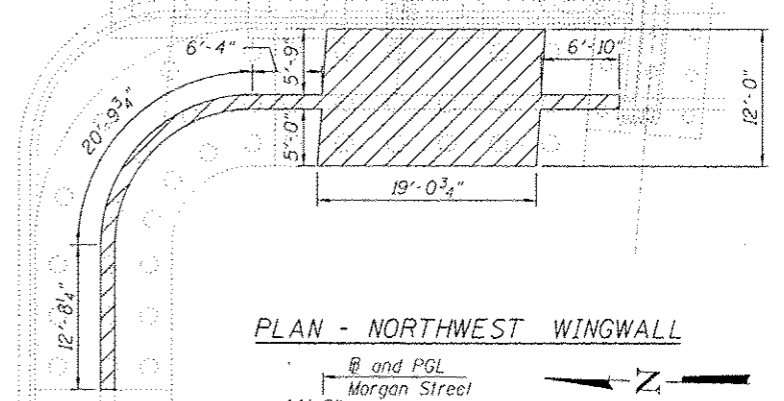
ELEVATION - NORTHWEST WINGWALL SECTION C-C
(Looking at Northeast)



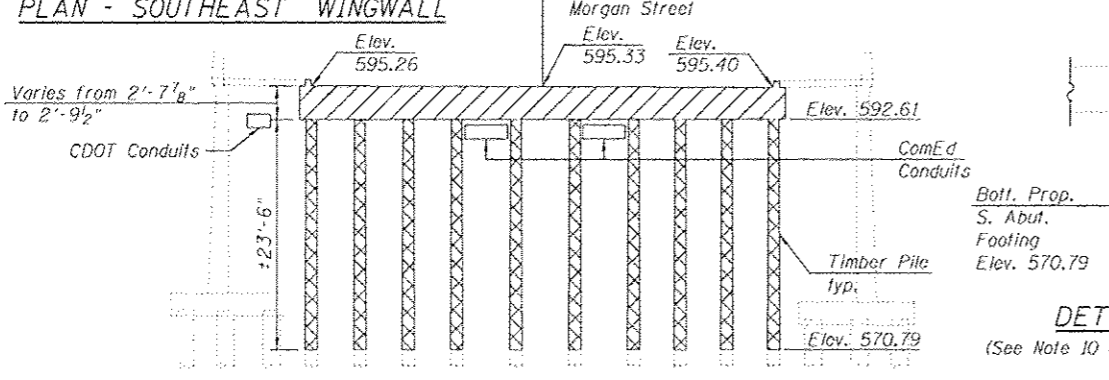
PLAN - SOUTHEAST WINGWALL



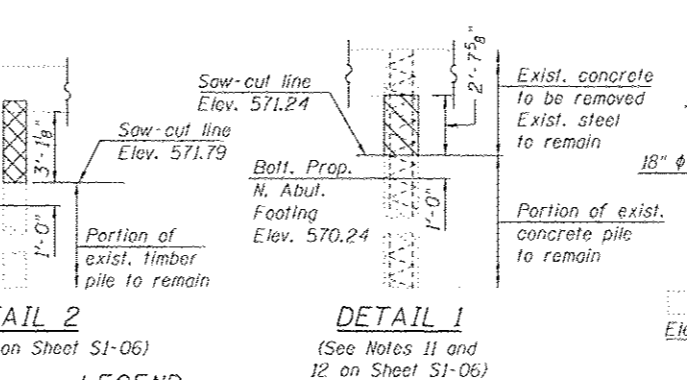
PLAN - SOUTHWEST WINGWALL



PLAN - NORTHWEST WINGWALL

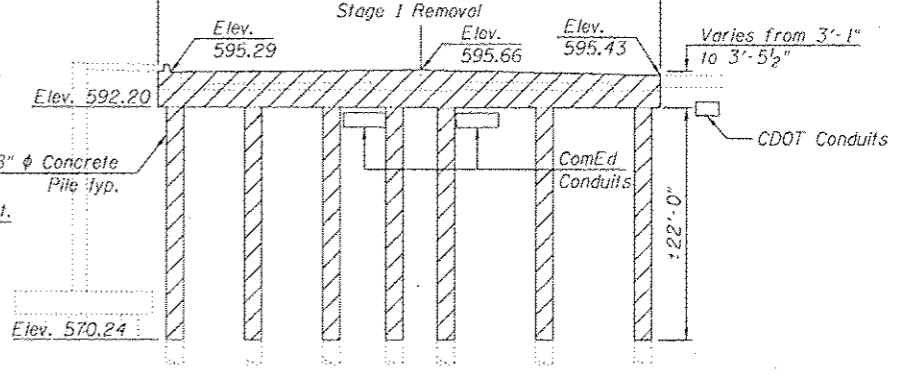


ELEVATION - SOUTH APPROACH PIER
(Looking South)

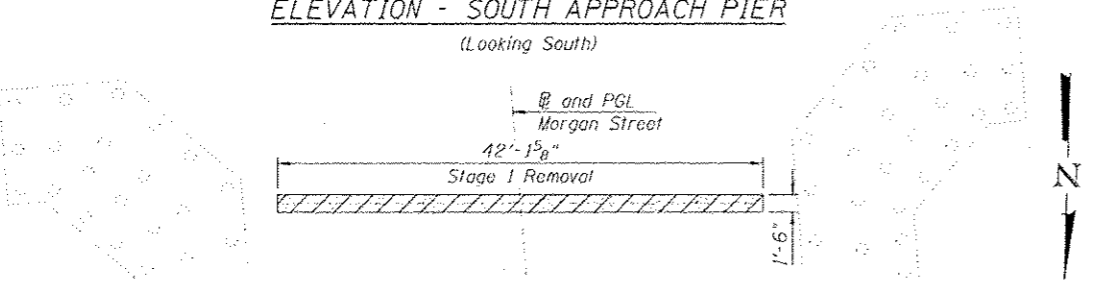


DETAIL 1 (See Notes 11 and 12 on Sheet S1-06)
DETAIL 2 (See Note 10 on Sheet S1-06)

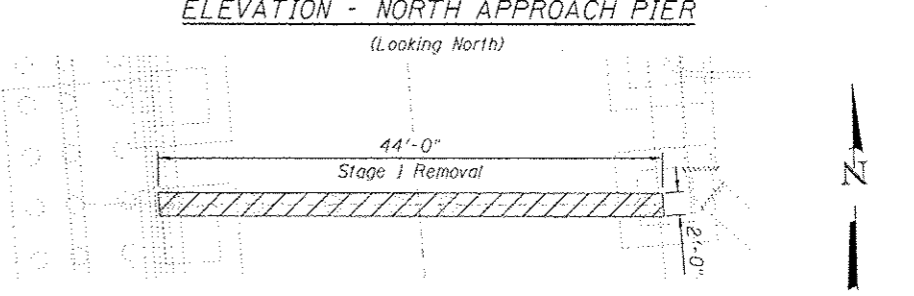
- LEGEND:**
- Concrete removal
 - Portion of existing concrete pile to be removed
 - Portion of existing timber pile to be removed
 - Pile Extraction



ELEVATION - NORTH APPROACH PIER
(Looking North)



PLAN - SOUTH APPROACH PIER



PLAN - NORTH APPROACH PIER

NOTE:
Entire sheet revised * Measured along front face of wingwall. For notes, see Sheet S1-06.

HBM ENGINEERING GROUP, LLC 4415 WEST HARRISON ST. SUITE 231 HILLSDALE, IL 60162 PHONE: (708) 236-0900 FAX: (708) 236-0901	0161789-00425-580-RemovalDetails2.dwg USER NAME: willmcdouglas PLOT SCALE: 8/8" = 1' / in. PLOT DATE: 7/15/2013	DESIGNED - MI, MAF, JMG DRAWN - JMG, MAF CHECKED - MI, MAF, JMG DATE - 6/17/2013	REVISED - 07/19/2013 MI, MAF REVISED - REVISED - REVISED -	STATE OF ILLINOIS DEPARTMENT OF TRANSPORTATION	EXISTING STRUCTURE REMOVAL DETAILS 2 OF 2 STRUCTURE NO. 016-1709	F.A.I. RATE: 90/94/230 SECTION: 2013-00TR COUNTY: COOK TOTAL SHEETS: 317 SHEET NO.: 152	CONTRACT NO. 60W25 ILLINOIS FED. AID PROJECT
		SCALE: SHEET S1-08 OF S1 SHEETS STA. TO STA.					