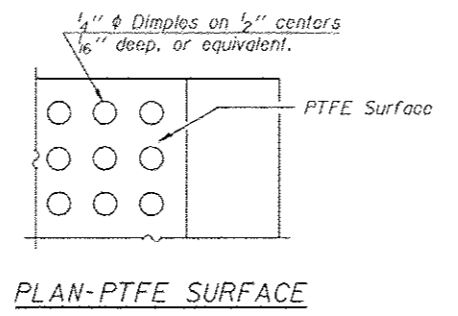
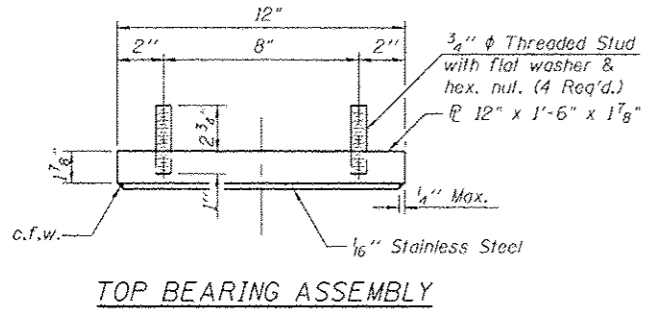
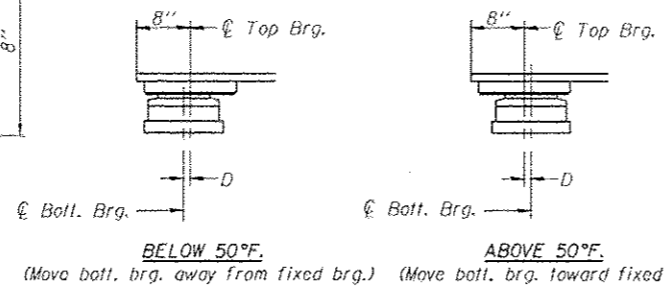
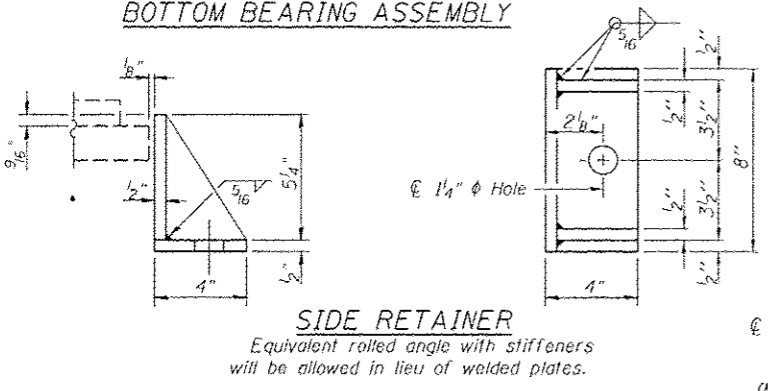
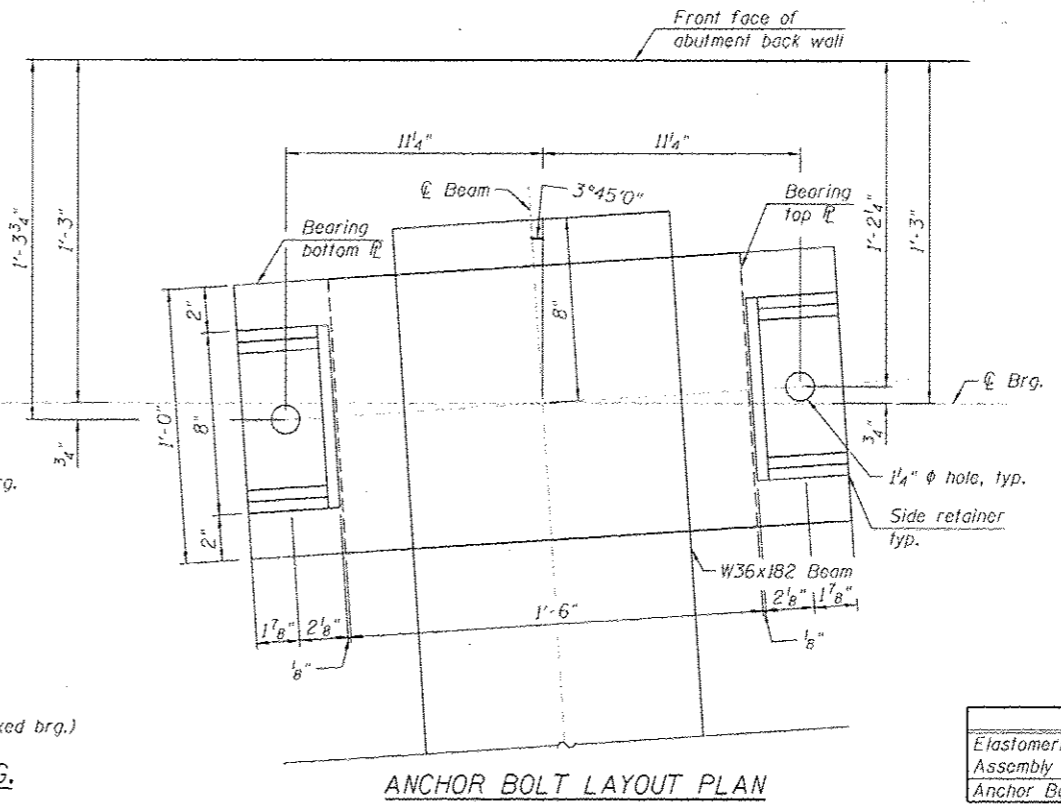
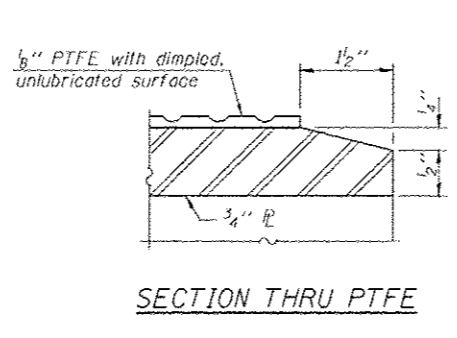
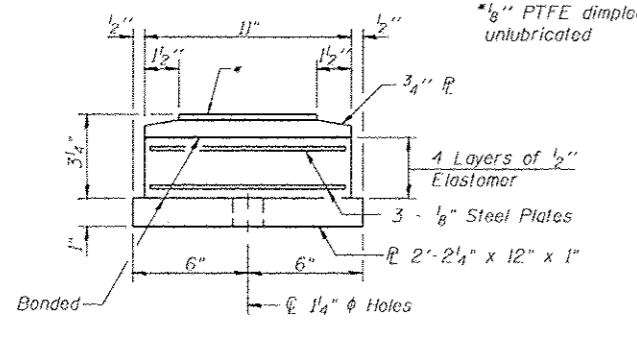


TYPE II ELASTOMERIC EXP. BRG. AT SOUTH ABUTMENT



SHIM PLATE TABLE

BEAM	S. ABUT.	PIER 1	PIER 2	N. ABUT.
B1	-	-	-	1/4"
B2	-	1/8"	1/8"	-
B3	-	-	-	-
B4	-	-	-	-
B5	-	-	-	-
B6	1/8"	-	-	-
B7	-	-	-	1/8"
B8	-	-	-	-
B9	-	-	-	-
B10	-	-	-	-
B11	1/4"	1/8"	1/8"	-
B12	-	-	-	1/2"



- NOTES:**
- Anchor bolts shall be ASTM F1554 all-thread (or an Engineer-approved alternate material) of the grade(s) and diameter(s) specified. The corresponding specified grade of AASHTO M314 anchor bolts may be used in lieu of ASTM F1554.
 - Anchor bolts for Type II bearings shall be placed in holes drilled in the concrete through holes in the bottom bearing plate after members are in place. Side retainers shall be placed after bolts are installed.
 - Drilled and set anchor bolts shall be installed according to Article 521.06 of the Standard Specifications.
 - Side retainers and other steel members required for the elastomeric bearing assembly shall be included in the cost of Elastomeric Bearing Assembly, Type II.
 - The 1/8" PTFE sheet shall be bonded directly to the top steel plate with a two-component, medium viscosity epoxy resin, conforming to the requirements of the Federal Specification MMM-A-134, Type I. The bond agent shall be applied on the full area of the contact surfaces.
 - Bonding of 1/8" PTFE sheet during vulcanizing process will be permitted provided the process and method of adjusting assembly height is approved by the Engineer.
 - All structural steel included in Bearing Assemblies shall be hot dipped galvanized. Cost included with Elastomeric Bearing Assembly Type II.
 - The structural steel plates of the Bearing Assembly shall conform to the requirements of AASHTO M270 Grade 50.

BILL OF MATERIAL

Item	Unit	Total
Elastomeric Bearing Assembly Type II	Each	12
Anchor Bolts, 1"	Each	24

FILE PATH: C:\Users\willmordous\Desktop\Drawings\Prints\Co. The Dept\181789-60W25-52R-Bearing2.dwg

HBM ENGINEERING GROUP, LLC. 4415 WEST HARRISON ST. SUITE 231 MILLSIDE, IL 60162 PHONEX 17081 236-0990 FAX 17081 236-0991

DESIGNED - LAB, JMC REVISION - 01/19/2013 ML, JJS
 DRAWN - LAB, JMC REVISION -
 CHECKED - MAL, MJ, JJS REVISION -
 DATE - 6/17/2013 REVISION -

STATE OF ILLINOIS DEPARTMENT OF TRANSPORTATION

ELASTOMERIC BEARING TYPE II STRUCTURE NO. 016-1709

SCALE: SHEET 51-26 OF 51 SHEETS STA. TO STA.

F.A.I. RTE. SECTION COUNTY TOTAL SHEETS SHEET NO. 90/94/290 2013-007R COOK 317 170 CONTRACT NO. 60W25 [ILLINOIS] FED. AID PROJECT

I-2E-2 1-27-12

Entire sheet revised