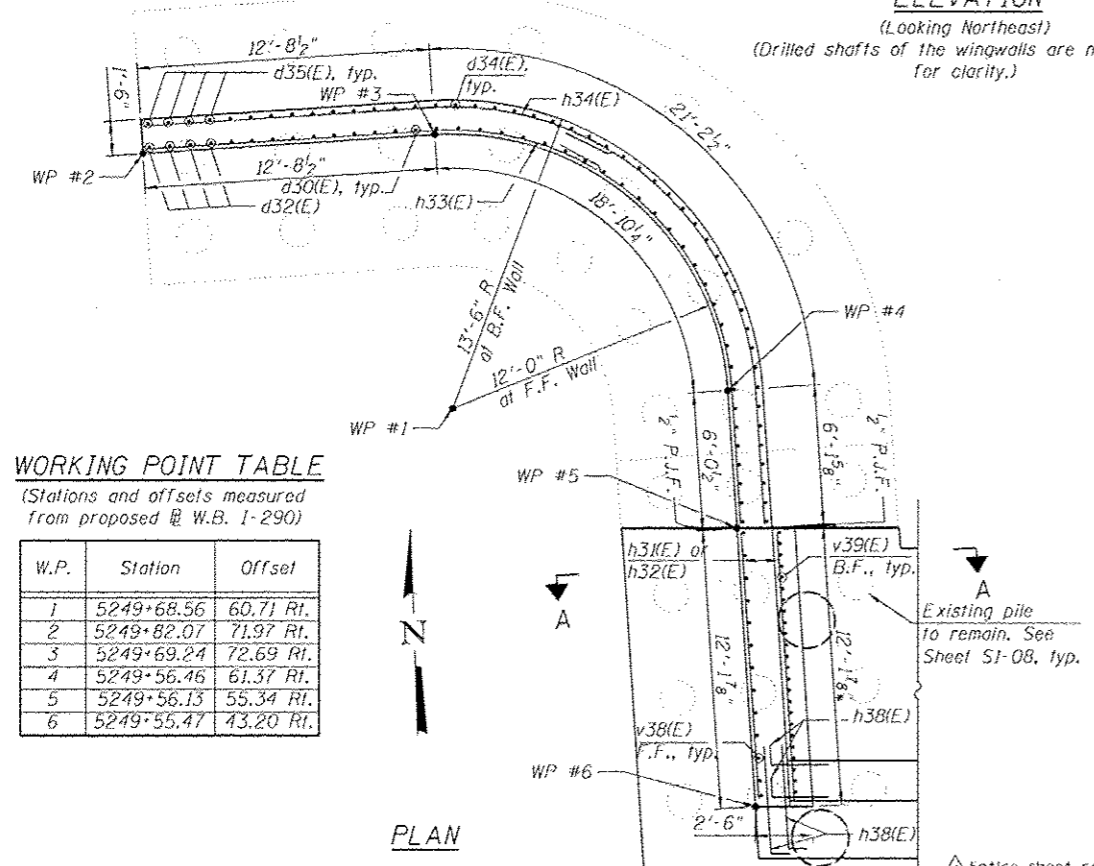
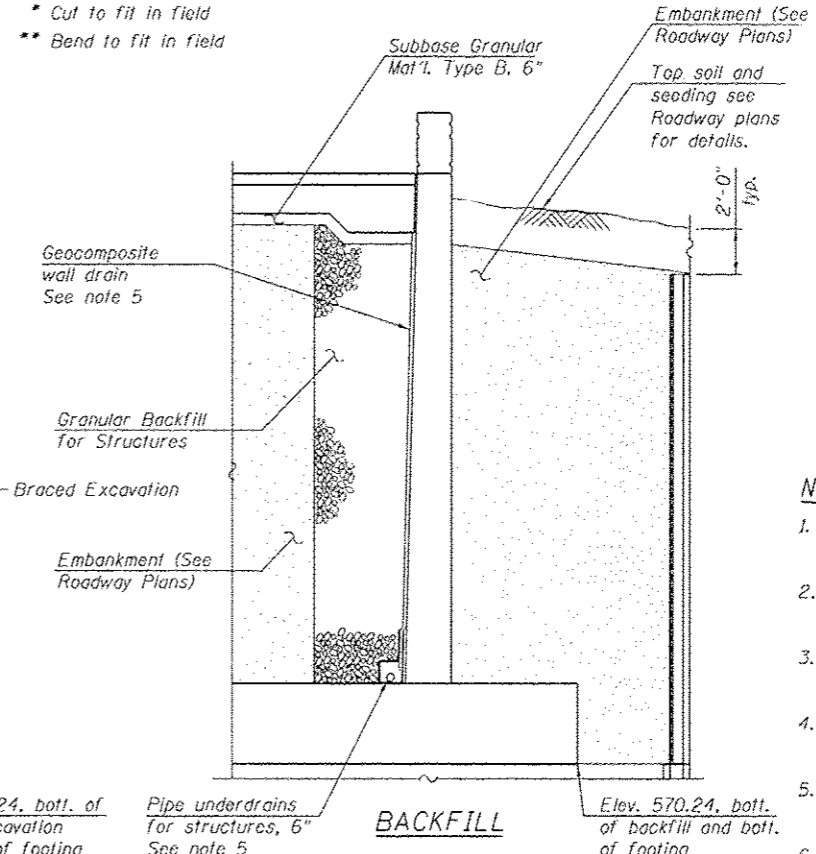
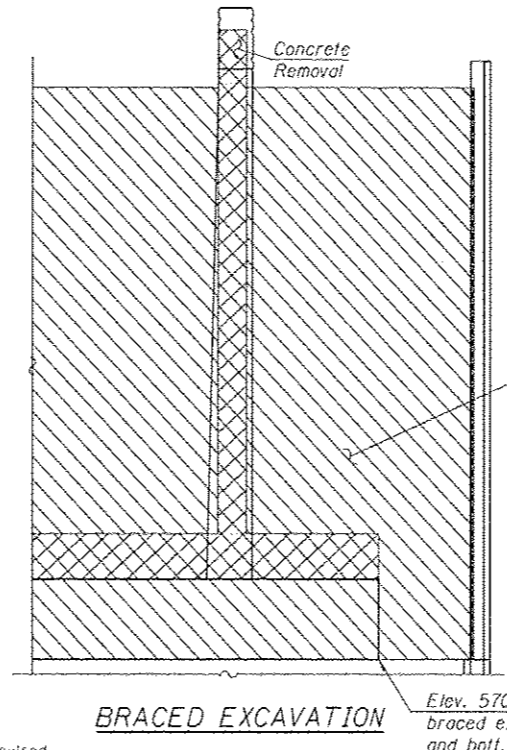


**ELEVATION**  
(Looking Northeast)  
(Drilled shafts of the wingwalls are not shown for clarity.)



**WORKING POINT TABLE**  
(Stations and offsets measured from proposed W.B. 1-290)

W.P.	Station	Offset
1	5249+68.56	60.71 Rt.
2	5249+82.07	71.97 Rt.
3	5249+69.24	72.69 Rt.
4	5249+56.46	61.37 Rt.
5	5249+56.13	55.34 Rt.
6	5249+55.47	43.20 Rt.



- LEGEND:**
- Concrete Removal
  - Braced Excavation
  - Granular Backfill for Structures
  - Embankment

- NOTES:**
- Reinforcement bars designated (E) shall be epoxy coated.
  - Bars noted thus, 3x2-#5 indicates 3 lines of bars with 2 bars per line.
  - For drilled shaft details and Bill of Materials, see Sheet S1-34.
  - Concrete required for parapet shall be included with Concrete Superstructure.
  - For geocomposite wall drain details, and pipe underdrain detail, see Sheet S1-33.
  - For reveal details, see Sheet S1-36.

HBM ENGINEERING GROUP, LLC. 4415 WEST HARRISON ST. SUITE 231. HILLSDALE, IL 60162. PHONE: (708) 236-0900. FAX: (708) 236-0901.