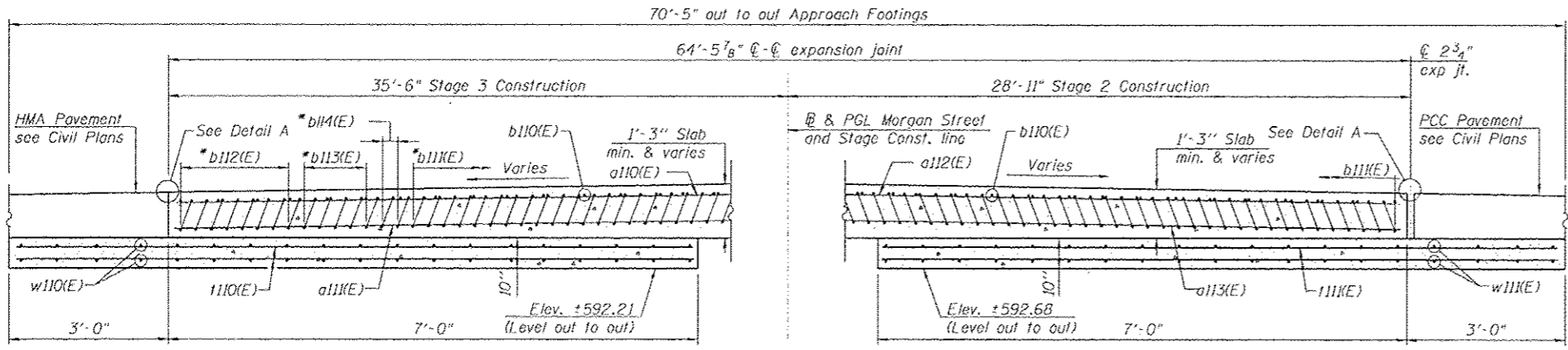
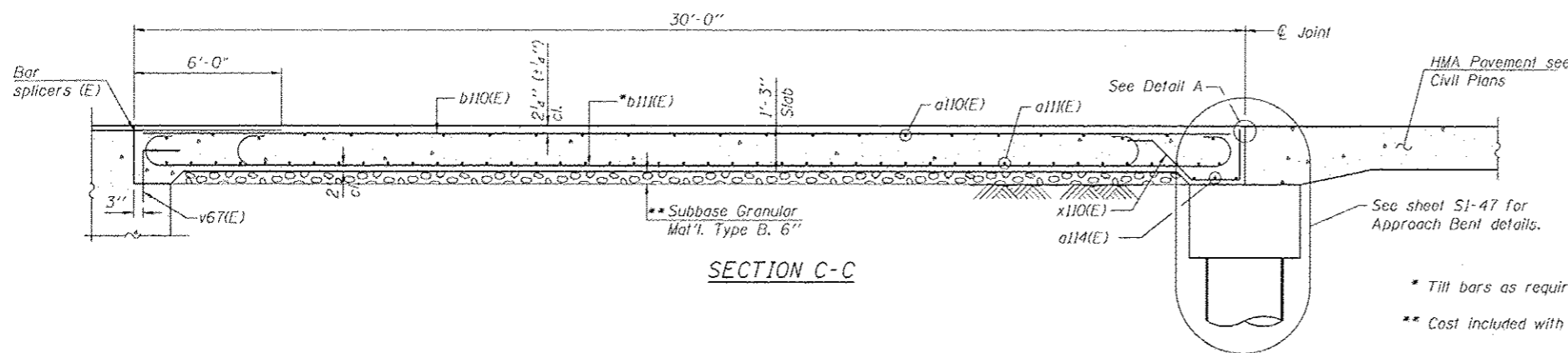


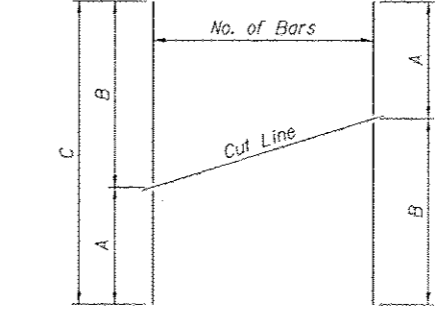
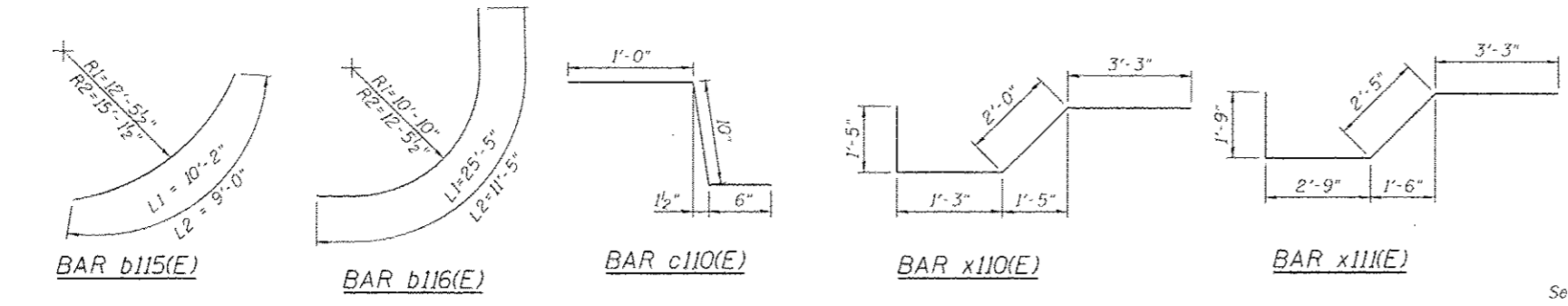
BILL OF MATERIAL

Bar	No.	Size	Length	Shape
a110(E)	25	#4	35'-3"	
a111(E)	46	#5	35'-3"	
a112(E)	25	#4	28'-8"	
a113(E)	46	#5	28'-8"	
a114(E)	3	#5	35'-2"	
a115(E)	3	#5	28'-8"	
b110(E)	54	#4	29'-8"	
b111(E)	141	#9	29'-9"	
b112(E)	8	#9	22'-9"	
b113(E)	5	#9	25'-6"	
b114(E)	2	#9	28'-9"	
b115(E)	4	#5	10'-2"	
b116(E)	12	#5	25'-5"	
b117(E)	5	#5	6'-3"	
b118(E)	3	#5	7'-3"	
c110(E)	40	#5	2'-4"	
c111(E)	26	#5	15'-9"	
c112(E)	4	#5	13'-1"	
i110(E)	42	#4	9'-8"	
i111(E)	60	#4	9'-8"	
w110(E)	40	#5	19'-2"	
w111(E)	40	#5	27'-7"	
x110(E)	67	#5	7'-11"	
x111(E)	9	#5	10'-2"	
Concrete Structures		Cu. Yd.	13.9	
Concrete Superstructure		Cu. Yd.	95.6	
Bridge Deck Grooving		Sq. Yd.	183	
Protective Coat		Sq. Yd.	213	
Reinforcement Bars, Epoxy Coated		Pound	25,170	



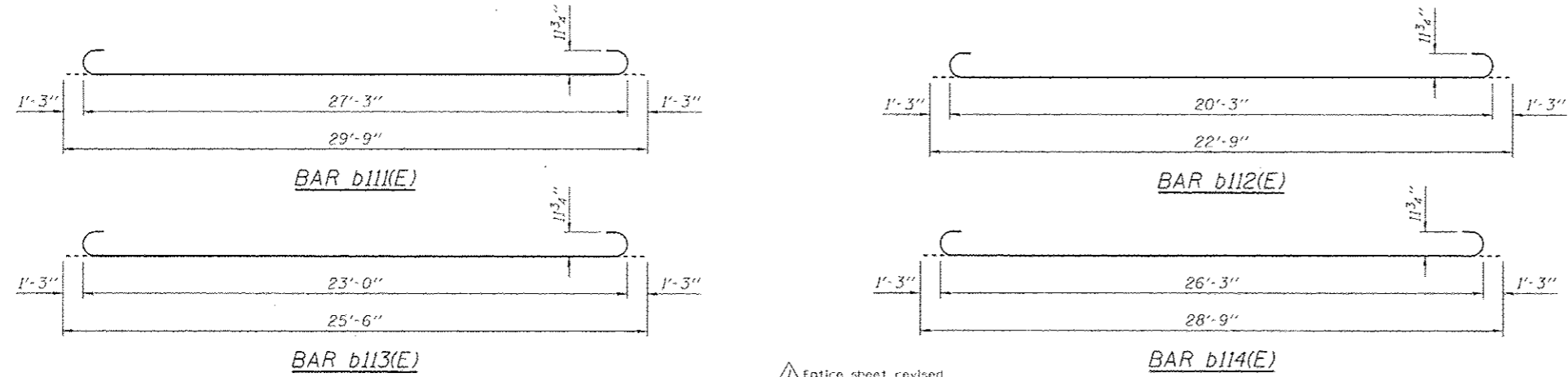
SECTION D-D

(See Plan on Sheet S1-43 for dimensions not shown)



BAR TABLE SCHEDULE

Bar	No. of Sets Req'd	No. of Bars Per Set	A	B	C
b118(E)	1	3	1'-0"	6'-3"	7'-3"
c112(E)	1	4	3'-7"	9'-6"	13'-1"



NOTES:

1. See Sheet S1-43 for Detail A.
2. Approach slab and sidewalk concrete shall be paid for as Concrete Superstructure.
3. Approach footing concrete shall be paid for as Concrete Structures.
4. Reinforcement shall be paid for as Reinforcement Bars, Epoxy Coated.
5. For v67(E) bar details, see Sheet S1-29.
6. The approach footing maximum applied service bearing pressure (Omax) = 2.0 ksf.
7. For bar splicer details, see Sheet S1-48.
8. Cost of excavation for approach footing included with Concrete Structures.
9. For Granular Backfill for Structures and drainage treatment details, see Sheet S1-28.

HBM ENGINEERING GROUP, LLC CONSULTING & DESIGN INSPECTION & TESTING RESEARCH & TESTING 4415 WEST HARRISON ST. SUITE 231 HILLSDALE, IL 60167 PHONE: (708) 236-0900 FAX: (708) 236-0901	0161779-60W25-544-SouthApprSlab2.dgn USER NAME: will.madoux PLOT SCALE: 60.0000 1/1 in. PLOT DATE: 7/15/2013	DESIGNED - MI, H4 DRAWN - HF CHECKED - MAI, MI, WM DATE - 6/17/2013	REVISED - A 07/19/2013 MI, WM REVISED - REVISED - REVISED -	STATE OF ILLINOIS DEPARTMENT OF TRANSPORTATION	SOUTH APPROACH SLAB SECTIONS AND DETAILS STRUCTURE NO. 016-1709	SCALE: SHEET S1-44 OF S1 SHEETS STA. TO STA.	F.A.I. RATE: 90/90/290 SECTION: 2013-00TR COUNTY: COOK TOTAL SHEETS: 317 SHEET NO.: 185 CONTRACT NO.: 60W25	ILLINOIS FED. AID PROJECT
	Entire sheet revised							