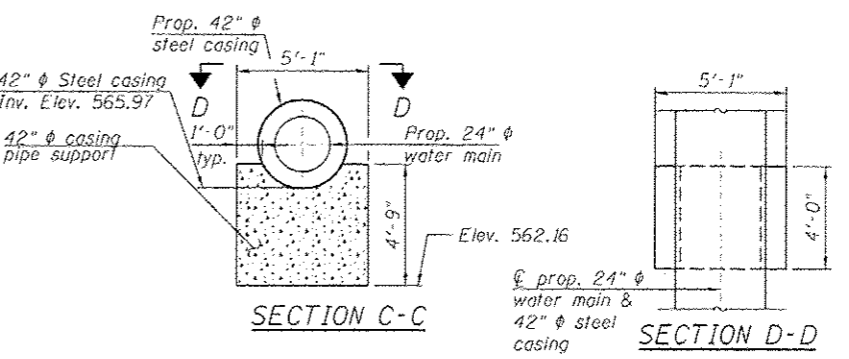


\* See General Note 11 and 12 on Sheet S2-02  
 \*\* Contractor shall coordinate this elevation with roadway plans



**NOTES**  
 1. For General Notes and Index of Sheets, see Sheet S2-02.  
 2. The Braced Excavation is provided for information only. See General Notes 11 and 12 on Sheet S2-02.

**LEGEND**

	Concrete Structures
	Concrete Removal

FILE: P214 \\V:\GIS\BENTON\refractory\5129\as\p\map\map\0161724-62W25-503-Suggest.Br.Ex.dgn

<b>HBM</b> ENGINEERING GROUP, LLC CONSULTING & DESIGN RESEARCH & TESTING 4415 WEST HARRISON ST. SUITE 231 HILLSIDE, IL 60162 PHONE: 11081 236-0900 FAX: 11081 236-0901	0161724-62W25-503-Suggest.Br.Ex.dgn USER NAME: ahmad.aseem PLOT SCALE: 5/8" = 1'-0" PLOT DATE: 7/15/2013	DESIGNED: MJ, WM DRAWN: WM CHECKED: MAI, MJ, JJS DATE: 6/17/2013	REVISED:  01/19/2013 MJ, WM REVISED: - REVISED: - REVISED: -	STATE OF ILLINOIS DEPARTMENT OF TRANSPORTATION	SUGGESTED BRACED EXCAVATION RETAINING WALL (STRUCTURE NO. 016-1724) AND RISER SHAFT	F.A.I. R.T.E.: 90/94/290 SECTION: 2013-007R COUNTY: COOK TOTAL SHEETS: 317 SHEET NO.: 198	CONTRACT NO. 60W25 ILLINOIS FED. AID PROJECT
	SCALE: SHEET 52-03 OF 12 SHEETS STA. TO STA.				ILLINOIS FED. AID PROJECT		