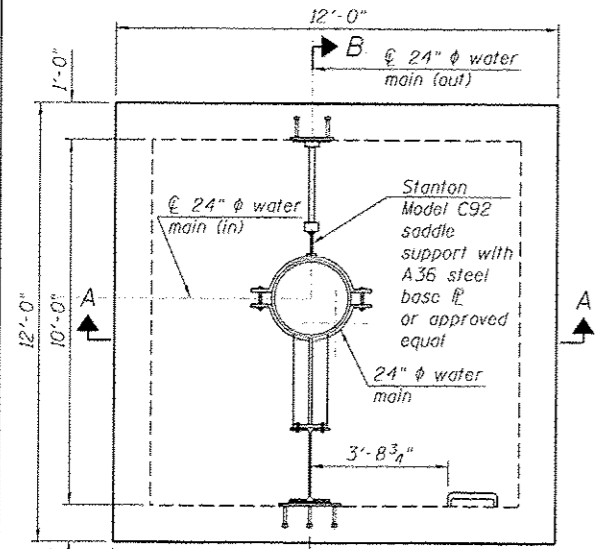
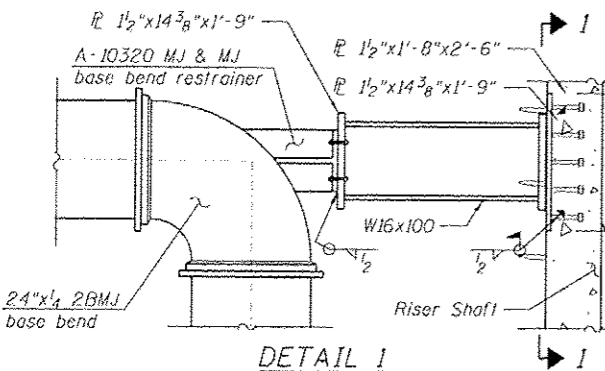


RISER PLAN



SECTIONAL PLAN  
(Plan view of lateral pipe supports)

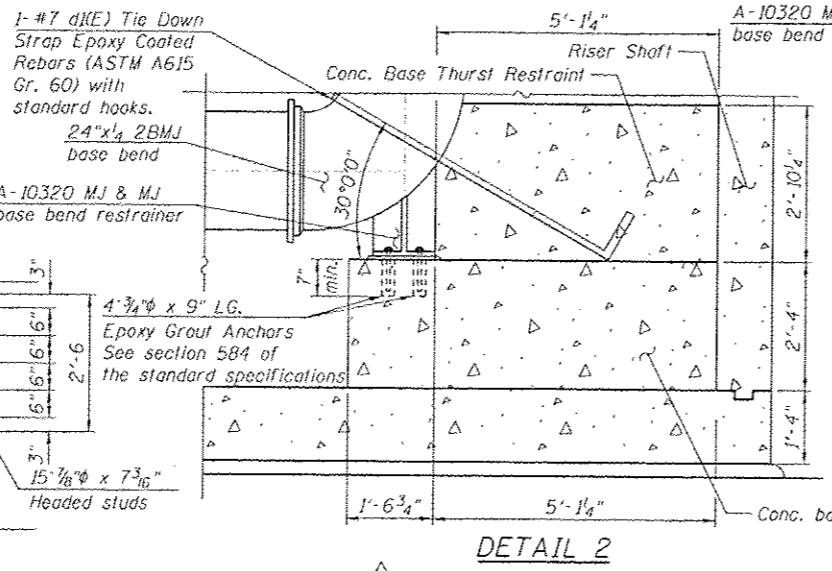


DETAIL 1

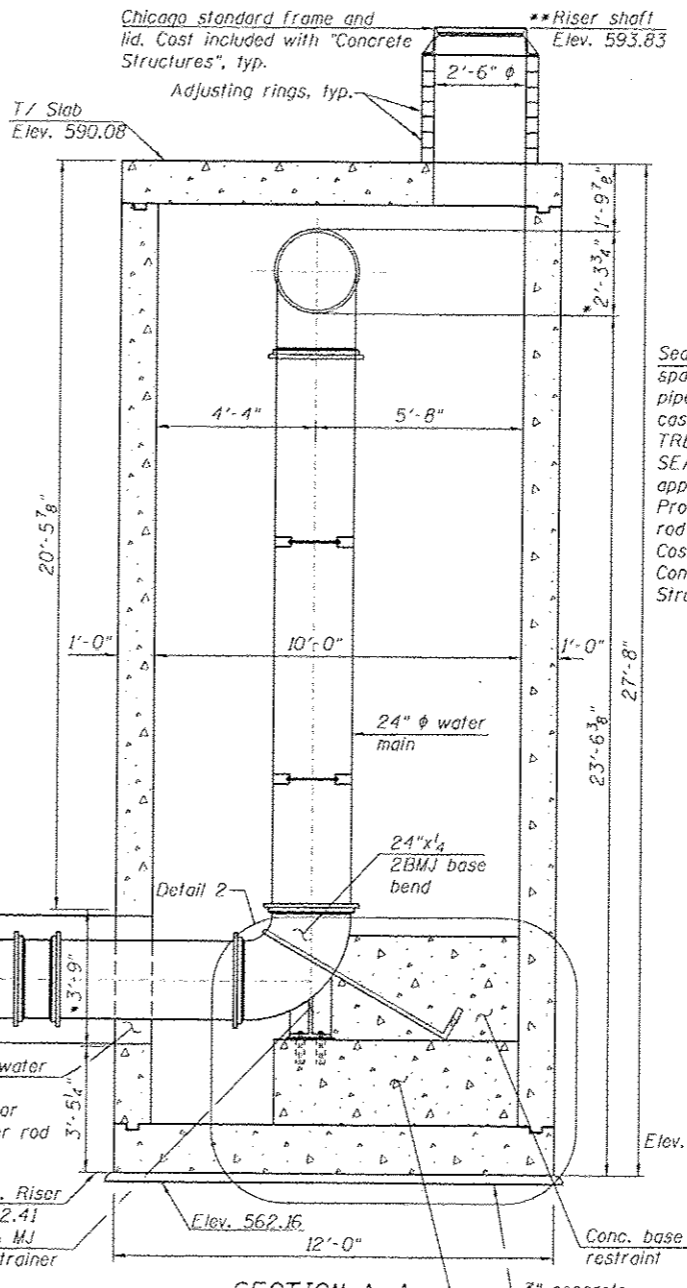
**NOTES:**  
1. Miscellaneous steel for saddle support, base bend restrainers, shear studs and plates shall be included with "Furnishing and Erecting Structural Steel"

**BILL OF MATERIAL**

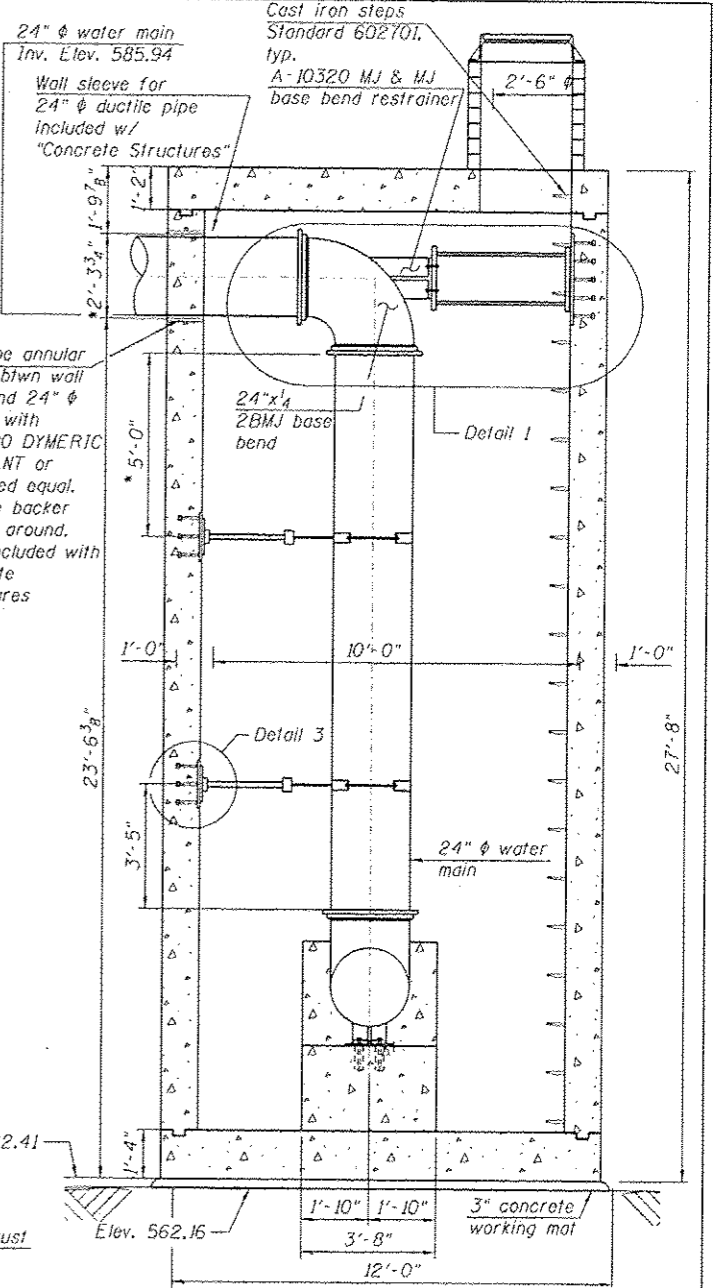
ITEM	UNIT	TOTAL
Furnishing and Erecting Structural Steel	POUND	1,100



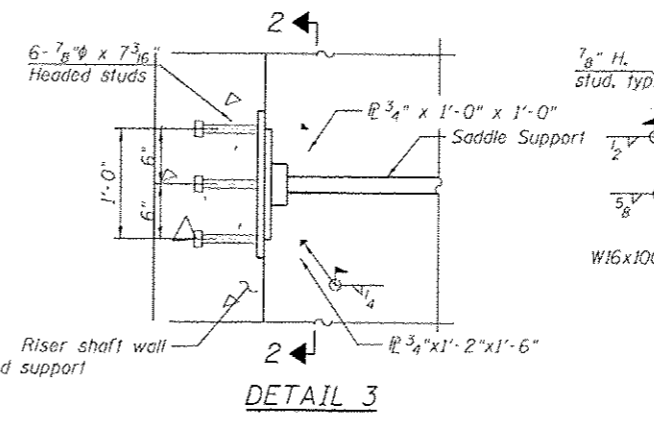
DETAIL 2



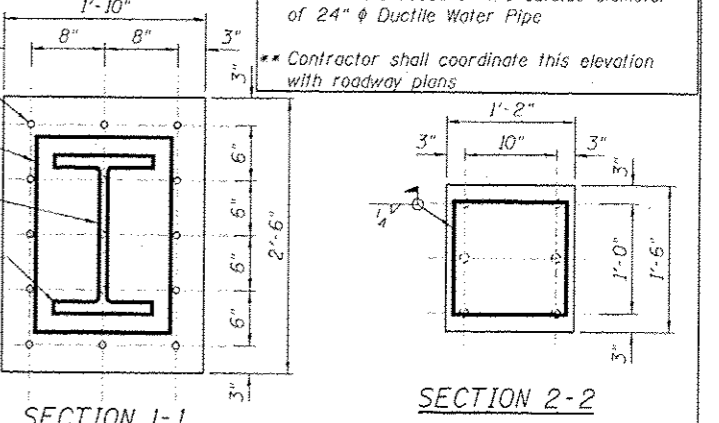
SECTION A-A



SECTION B-B



DETAIL 3



SECTION 1-1

SECTION 2-2

\* Dimension shall be verified by the Contractor in the field based on the outside diameter of 24"  $\phi$  Ductile Water Pipe  
\*\* Contractor shall coordinate this elevation with roadway plans

**HBM**  
ENGINEERING GROUP, LLC  
CONSULTING & DESIGN  
INSPECTION & TESTING  
RESEARCH & TESTING

4415 WEST HARRISON ST.  
SUITE 231  
HILLSDALE, IL 60152  
PHONE: (708) 236-0900  
FAX: (708) 236-0901

DESIGNED - MJ, WM  
DRAWN - WM  
CHECKED - MAI, MJ, JJS  
DATE - 6/17/2013

REVISED -  
REVISED -  
REVISED -

STATE OF ILLINOIS  
DEPARTMENT OF TRANSPORTATION

RISER SHAFT SECTIONS AND DETAILS (SHEET 1 OF 3)  
RETAINING WALL (STRUCTURE NO. 016-1724) AND RISER SHAFT

F.A.I. RTE.	SECTION	COUNTY	TOTAL SHEETS	SHEET NO.
90/94/290	2013-00TR	COOK	317	203

CONTRACT NO. 60W25

SCALE: SHEET 52-08 OF 12 SHEETS STA. TO STA.

ILLINOIS FED. AID PROJECT