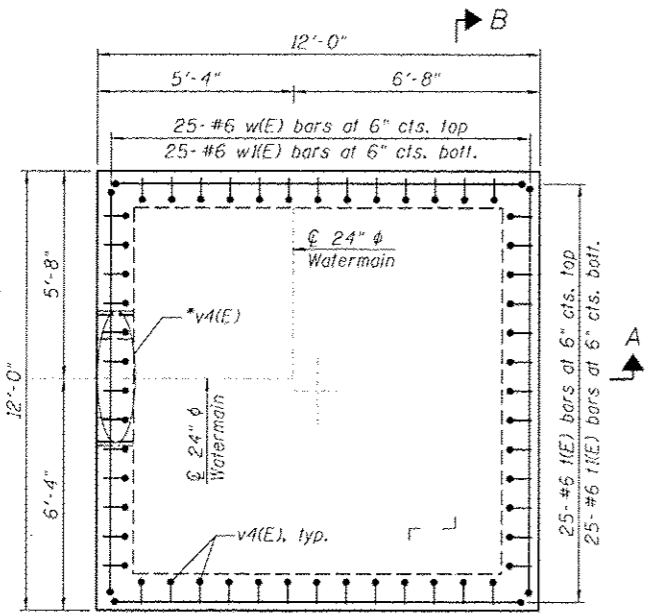
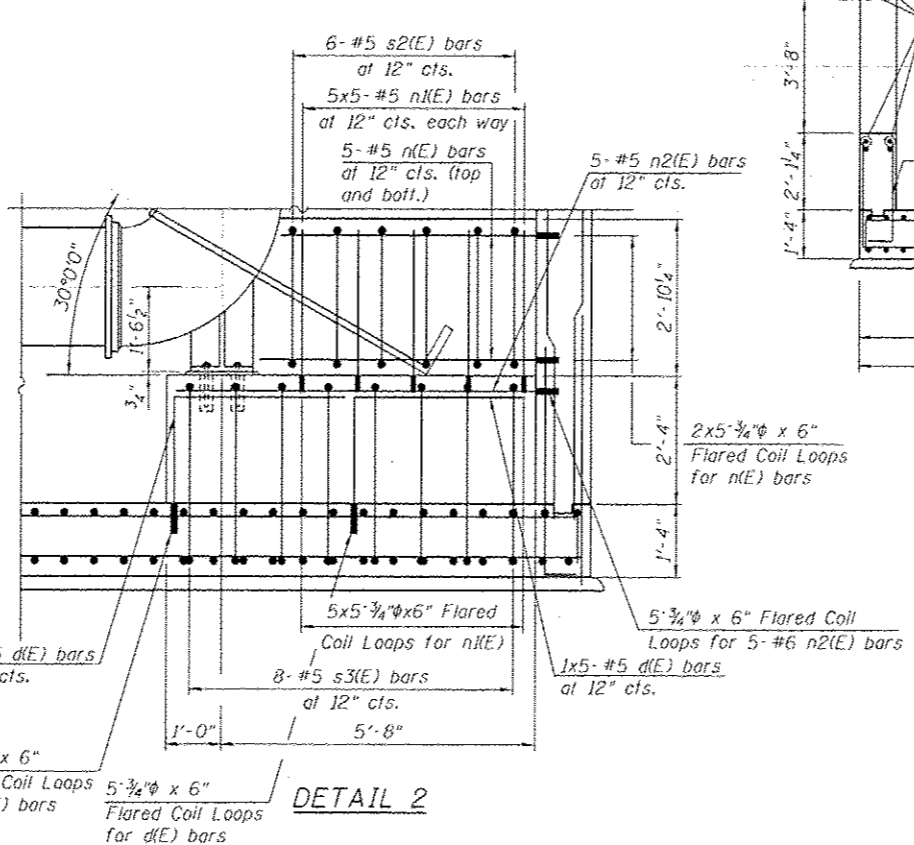


ROOF SLAB PLAN



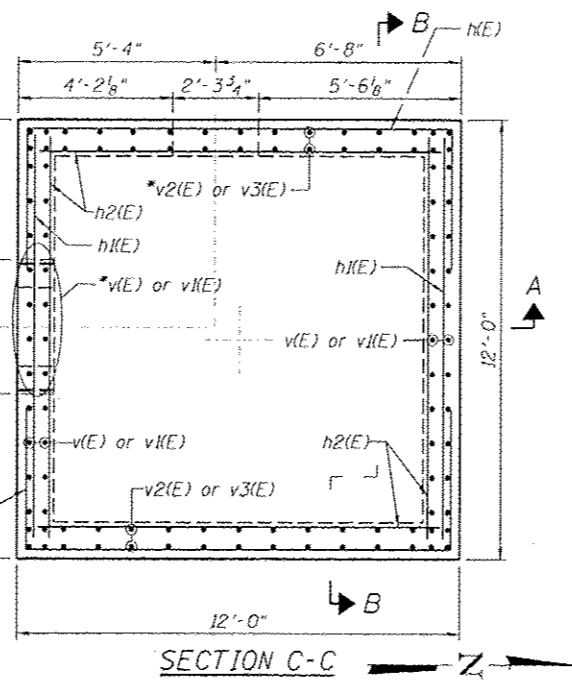
BOTTOM SLAB PLAN



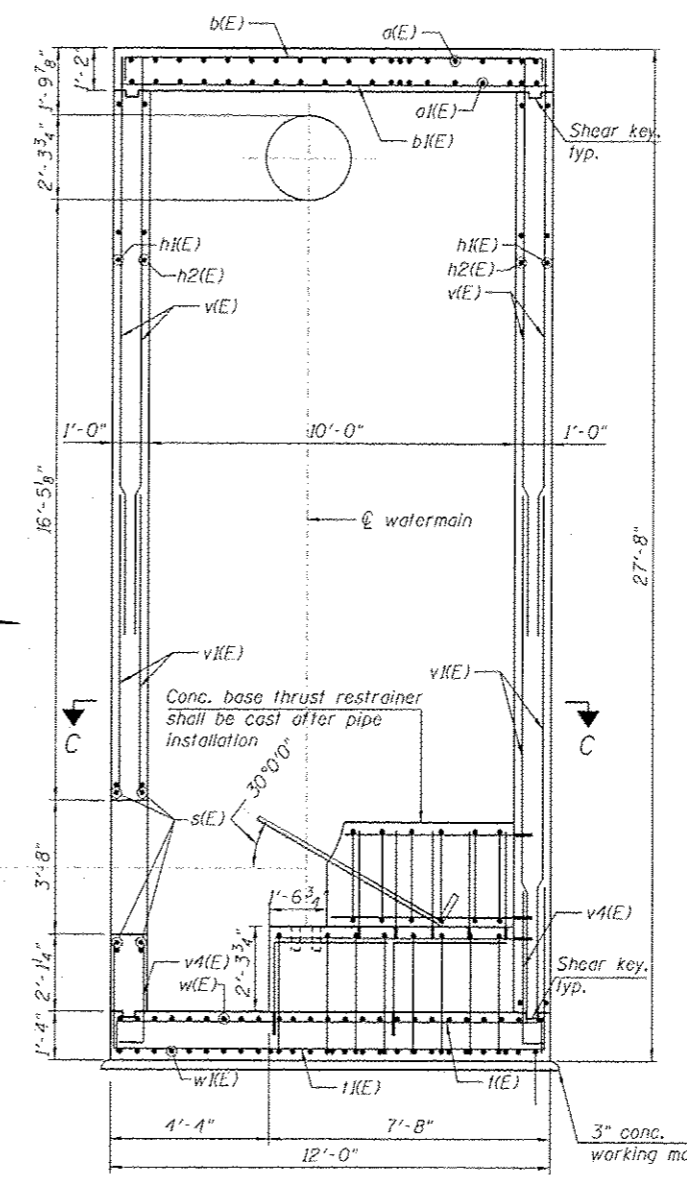
DETAIL 2

\*Order bars full length and cut in field to fit

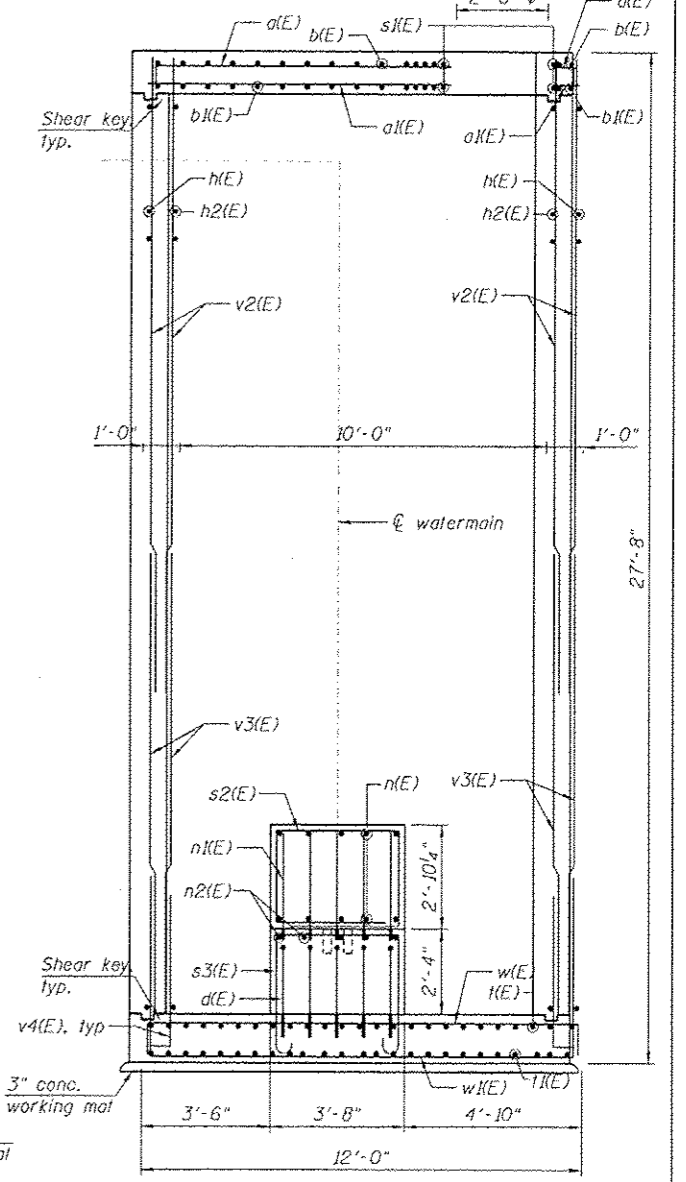
Added sheet



SECTION C-C



SECTION A-A



SECTION B-B

NOTES:

1. For General Notes, see Sheet S2-02.
2. For Bill of Material, bar diagrams and minimum bar laps, see Sheet S2-10.
3. The minimum concrete cover shall be 2".

<b>HBM</b> ENGINEERING GROUP, LLC CONSULTING & DESIGN INSPECTION & TESTING RESEARCH & TESTING 4415 WEST HARRISON ST. SUITE 231 MILLVILLE, IL 60162 PHONE: (708) 236-0900 FAX: (708) 236-0901	R161724-60W25-509-RS-SEC&DET_2.dgn USER NAME = ohmad.asso PLOT SCALE = 2:6.0000 1/1 in. PLOT DATE = 7/15/2013	DESIGNED - MI, WM DRAWN - WM CHECKED - MAJ, MI, JJS DATE - 6/17/2013	REVISED - A 01/19/2015 MI, WM REVISED - REVISED - REVISED -	STATE OF ILLINOIS DEPARTMENT OF TRANSPORTATION	RISER SHAFT SECTIONS AND DETAILS (SHEET 2 OF 3) RETAINING WALL (STRUCTURE NO. 016-1724) AND RISER SHAFT	F.A.I. R.T.E. 90/94/293	SECTION 2013-007R	COUNTY COOK	TOTAL SHEETS 317	SHEET NO. 204	CONTRACT NO. 60W25
	SCALE: SHEET S2-09 OF 12 SHEETS STA. TO STA.				ILLINOIS FED. AID PROJECT						