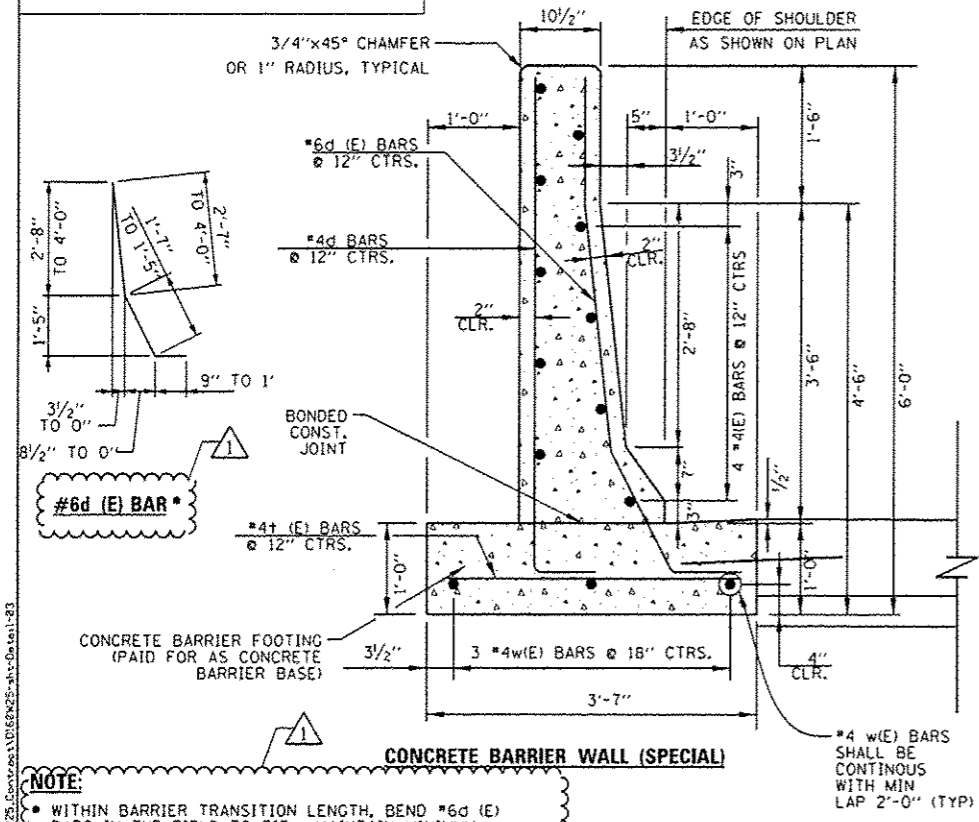
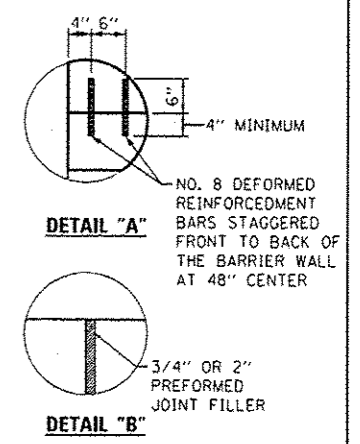
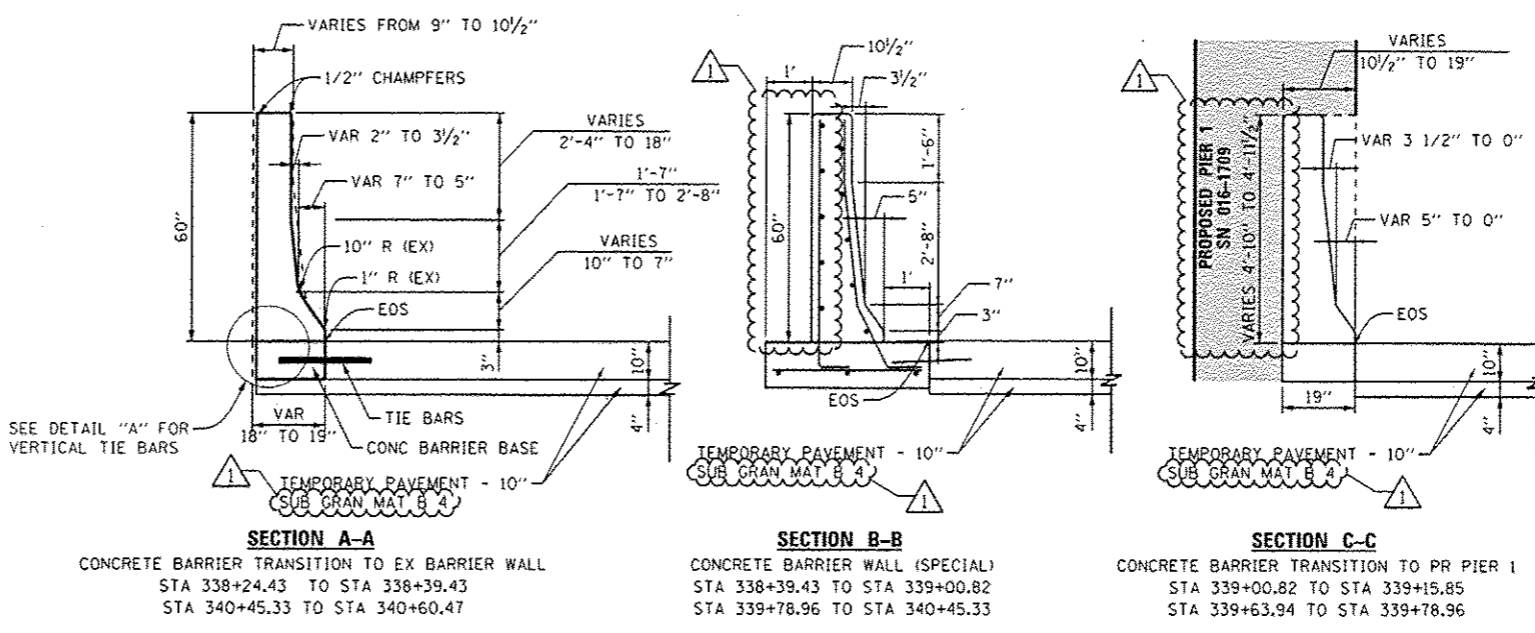


**CONCRETE BARRIER WALL (SPECIAL) DETAILS**

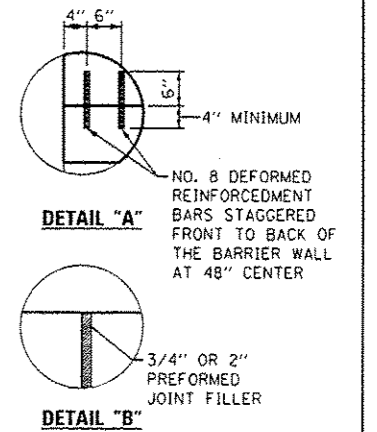
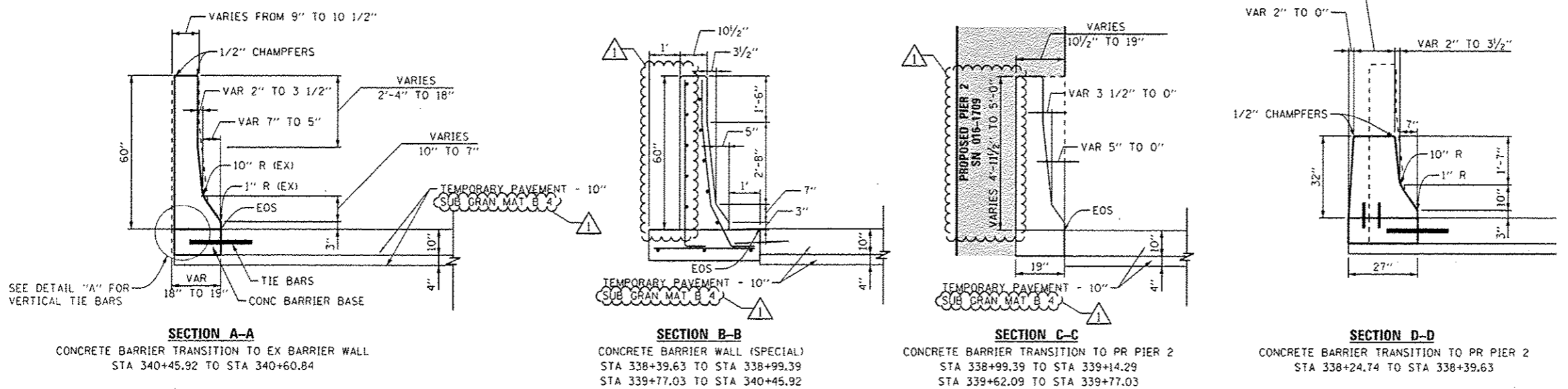


**NOTE:**  
 WITHIN BARRIER TRANSITION LENGTH, BEND #6d (E) BARS IN THE FIELD TO FIT. MAINTAIN MINIMUM 2\"/>

**CONCRETE BARRIER WALL (SPECIAL) AND CONCRETE BARRIER TRANSITION AT PIER 1**



**CONCRETE BARRIER WALL (SPECIAL) AND CONCRETE BARRIER TRANSITION AT PIER 2**



FILE PATH: \\s:\projects\60625\60625.dwg; PLOT DATE: 7/16/2013; PLOT SCALE: 1/8\"/>



D16025-01-01-03  
 USER NAME: chris  
 PLOT SCALE: 1/8\"/>

DESIGNED - JWM/OPS  
 DRAWN - JWM/OPS  
 CHECKED - DBM  
 DATE - 6/17/2013  
 REVISED - 7/19/2013

STATE OF ILLINOIS  
 DEPARTMENT OF TRANSPORTATION

ROADWAY DETAILS

SCALE: N.T.S. SHEET 3 OF 9 SHEETS STA. TO STA.

F.A.I. RTE.	SECTION	COUNTY	TOTAL SHEETS	SHEET NO.
90/94/290	2013-007R	COOK	317	269
CONTRACT NO. 60W25			ILLINOIS FED. AID PROJECT	