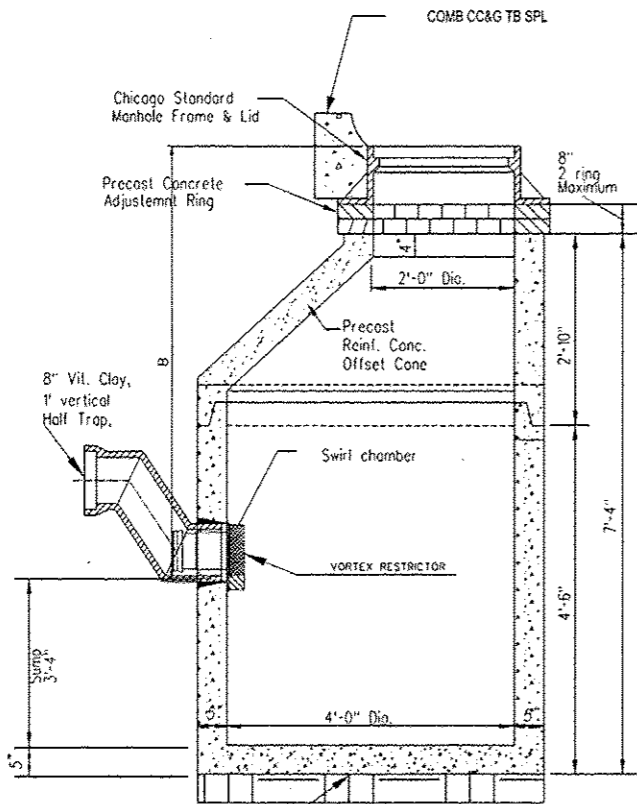
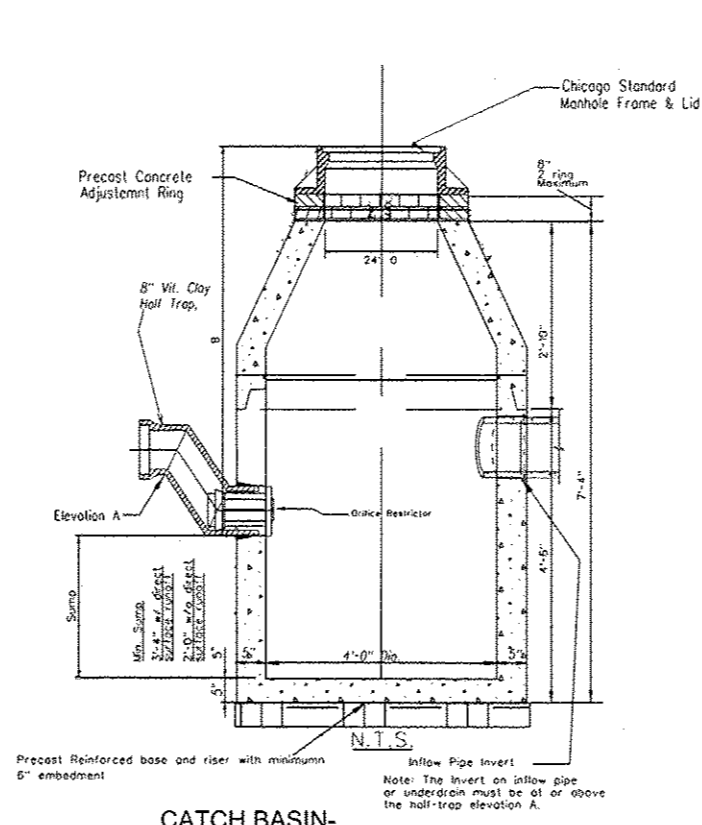


STANDARD DRAINAGE STRUCTURES FOR PUBLIC STREETS



Precast Reinforced base and riser with minimum 6" embedment

STANDARD CATCH BASIN-4' Dia.

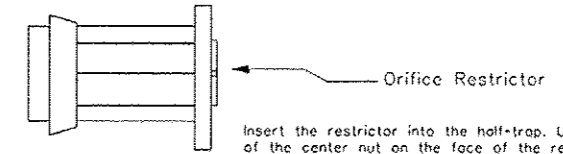


CATCH BASIN-ORIFICE RESTRICTOR

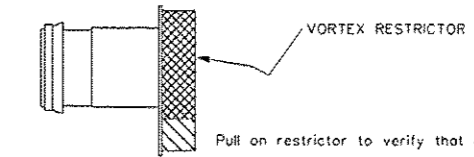
NOTES:

- For any drain tile connection, the water table must be at least 3.5 feet below elevation A.
- PVC underdrains must be 4" minimum diameter, (6" recommended) and must be wrapped in GeoTech Fabric.

DRAINAGE STRUCTURES RESTRICTORS



Insert the restrictor into the half-trap. Upon tightening of the center nut on the face of the restrictor, the rubber O-rings will expand inside the half-trap, providing a water-tight seal.
Pull on restrictor to verify that a tight fit is made.



Pull on restrictor to verify that a tight fit is made.
Insert the restrictor with the opening down. Upon tightening of the 2 bolts on the face of the restrictor, the rubber O-rings will provide a water-tight seal.

GENERAL NOTES:

- Catch basin to Catch Basin connections are allowed in private sites & alleys. Only the downstream catch basin is required to have a half-trap.
- If B < 4 feet, then use a Ductile Iron Pipe Half Trap and Flat Top Slab Catch Basin as necessary.

RESTRICTOR NOTES:

The DWM's Rain Blocker Restrictor Program must be maintained with any roadway improvement.

The design of any roadway improvement must consider limiting the number of catch basins to the extent practical. The number of existing structures should not be increased.

The restrictors can be obtained from DWM Central District at 3901 S. Ashland Ave. The contractor should arrange for pick up by contacting 312-747-1177 (7am to 3pm, M-F)

Flow restrictors must be installed in all catch basins outside of the Central Business District. Restrictors must not be installed in catch basins in close proximity to viaduct areas, bus stops, or emergency entrances. The DWM must approve the non-installation or removal of any restrictor. Requirements for restrictor installation are as follows:

- *Arterial Streets: 3-inch Orifice Restrictor
- *Bus Routes: 3-inch Orifice Restrictor
- *Residential Streets: 3-inch vortex Restrictor
- *Alleys: 3-inch Orifice Restrictor in the last CB.
- *Closed lids are required on all manholes except at intersections where a perforated lid shall be used.



DIGB425-shr-Drain-Details-04
USER NAME: xchua
PLOT SCALE: 20,000' = 1" / in.
PLOT DATE: 7/14/2013

DESIGNED - AFC	REVISED - 7/19/2013
DRAWN - AFC	REVISED -
CHECKED - DBM	REVISED -
DATE -	REVISED -

STATE OF ILLINOIS
DEPARTMENT OF TRANSPORTATION

DRAINAGE DETAILS
CITY OF CHICAGO - STANDARD CATCH BASINS

SCALE: NTS SHEET 1 OF 1 SHEETS STA. TO STA.

F.A.I. RTE.	SECTION	COUNTY	TOTAL SHEETS	SHEET NO.
90/94/290	2013-007R	COOK	317	272A
CONTRACT NO. 60W25			ILLINOIS FED. AID PROJECT	