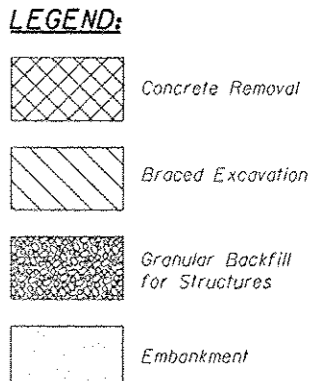
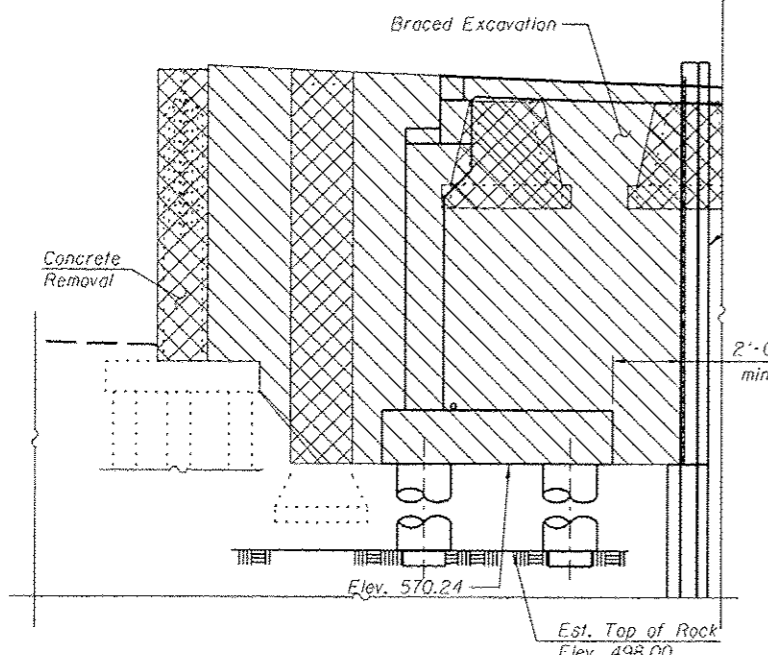


- NOTES:**
1. Reinforcement bars designated (E) shall be epoxy coated.
  2. Bars noted thus 3x2-#5 indicates 3 lines of bars with 2 bars per line.
  3. Driving piles and temporary sheet piling are not allowed.
  4. For Bill of Materials, see Sheet S1-34.
  5. For existing pile removal details, see Sheet S1-08.
  6. Space footing reinforcement to miss extended reinforcement from drilled shaft.
  7. For wingwall braced excavation and backfill details, see Sheet S1-35.
  8. Installation of drilled shaft may require coring through existing pile bells. Additional costs included in Drilled Shaft in Soil.

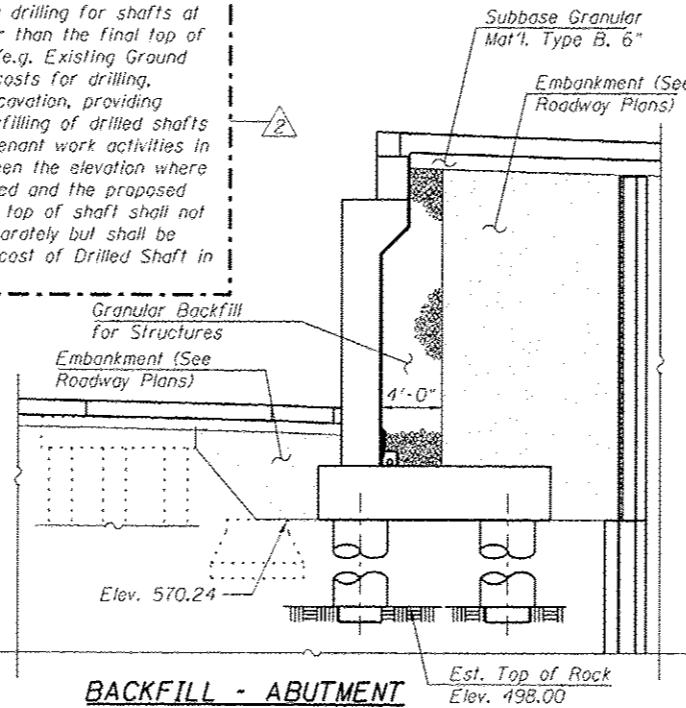


**FOOTING LAYOUT**

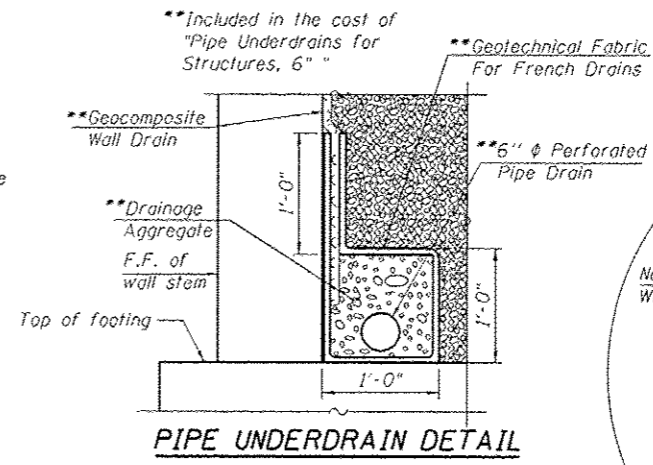
When Contractor's means and methods include initiating drilling for shafts at elevations higher than the final top of shaft elevation (e.g. Existing Ground Elevation), the costs for drilling, disposing of excavation, providing casing and backfilling of drilled shafts or other appurtenant work activities in the areas between the elevation where drilling is initiated and the proposed elevation of the top of shaft shall not be paid for separately but shall be included in the cost of Drilled Shaft in Soil.



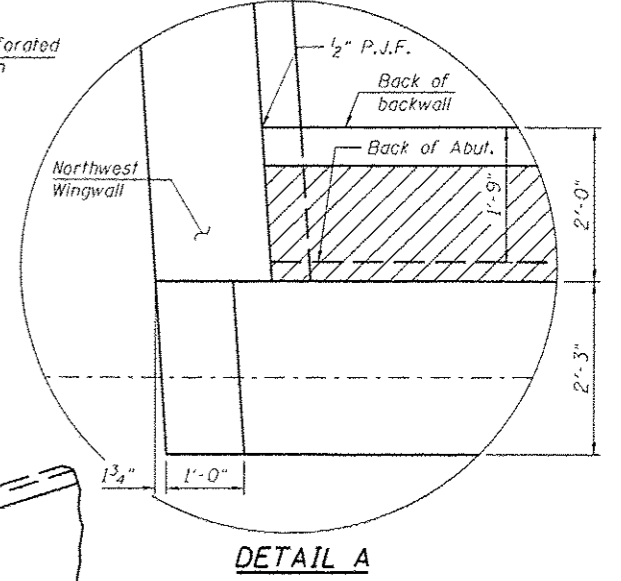
**BRACED EXCAVATION - ABUTMENT**



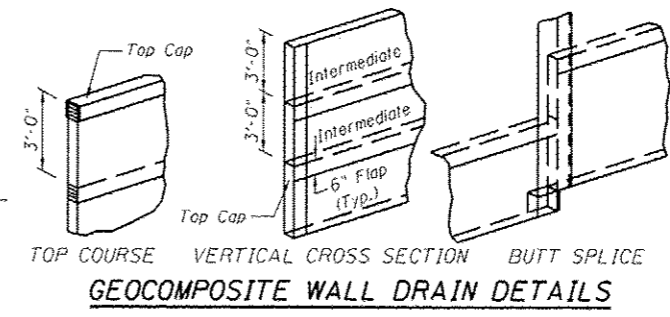
**BACKFILL - ABUTMENT**



**PIPE UNDERDRAIN DETAIL**



**DETAIL A**



**GEOCOMPOSITE WALL DRAIN DETAILS**

**HBM**  
 CONSULTING & DESIGN  
 4415 WEST HARRISON ST.  
 SUITE 231  
 HILLSTON, IL 60162  
 PHONE: (708) 236-0900  
 FAX: (708) 236-0901

01017091-60#25-533-NorthAbut2.dgn  
 USER NAME: jlsakallemayn  
 PLOT SCALE: 6:8.0000 1/2" = 1'-0"  
 PLOT DATE: 7/30/2013

DESIGNED - MI, MAF	REVISED - 07/19/2013 MI, LAB
DRAWN - LAB, MAF	REVISED - 07/30/2013 MI, LAB
CHECKED - MAI, MI, WM	REVISED -
DATE - 6/17/2013	REVISED -

STATE OF ILLINOIS  
 DEPARTMENT OF TRANSPORTATION

**NORTH ABUTMENT FOOTING PLAN AND SECTIONS**  
 STRUCTURE NO. 016-1709  
 SCALE: SHEET S1-33 OF 51 SHEETS STA. TO STA.

F.A.I. RTE.	SECTION	COUNTY	TOTAL SHEETS	SHEET NO.
90/94/290	2013-00TR	COOK	317	177
CONTRACT NO. 60W25				
[ILLINOIS] FED. AID PROJECT				