

GENERAL NOTES

SPECIFICATIONS:

DESIGN: AASHTO Standard Specifications for Structural Supports for Highway Signs, Luminaires and Traffic Signals. ("AASHTO Specifications")

CONSTRUCTION: Current (at time of letting) Illinois Department of Transportation Standard Specifications for Road and Bridge Construction, Supplemental Specifications and Special Provisions. ("Standard Specifications")

LOADING: 90 M.P.H. WIND VELOCITY

MINIMUM CLEARANCE: 3" greater than bridge members at all locations. (All Obstructions)

WELDING: All welds to be continuous unless otherwise shown. All welding to be done in accordance with current AWS D1.1 Structural Welding Code (Steel) and the Standard Specifications.

MATERIALS: All Structural Steel Pipe shall be ASTM A53 Grade B with a minimum yield of 35,000 p.s.i., or A500 Grade B or C with a minimum yield of 46,000 p.s.i. If A500 pipe is substituted for A53, then the outside diameter shall be as detailed and wall thickness greater than or equal to A53. All Structural Steel Plates and Shapes shall conform to AASHTO M270 Gr. 36, Gr. 50 (M183, M223 Gr. 50).

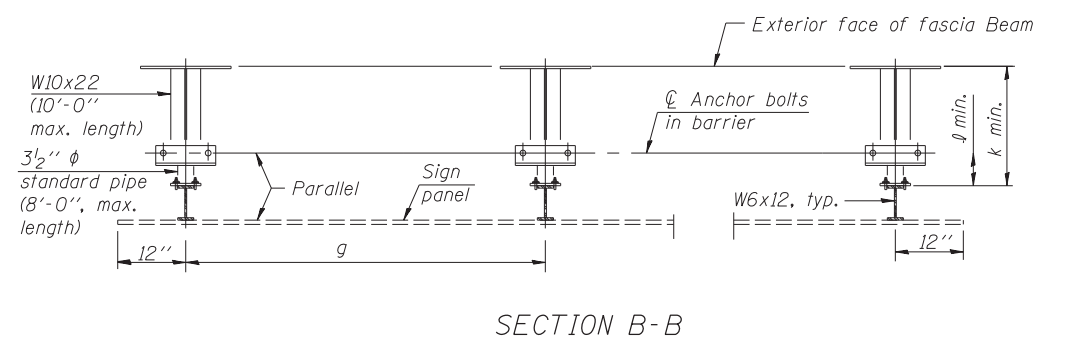
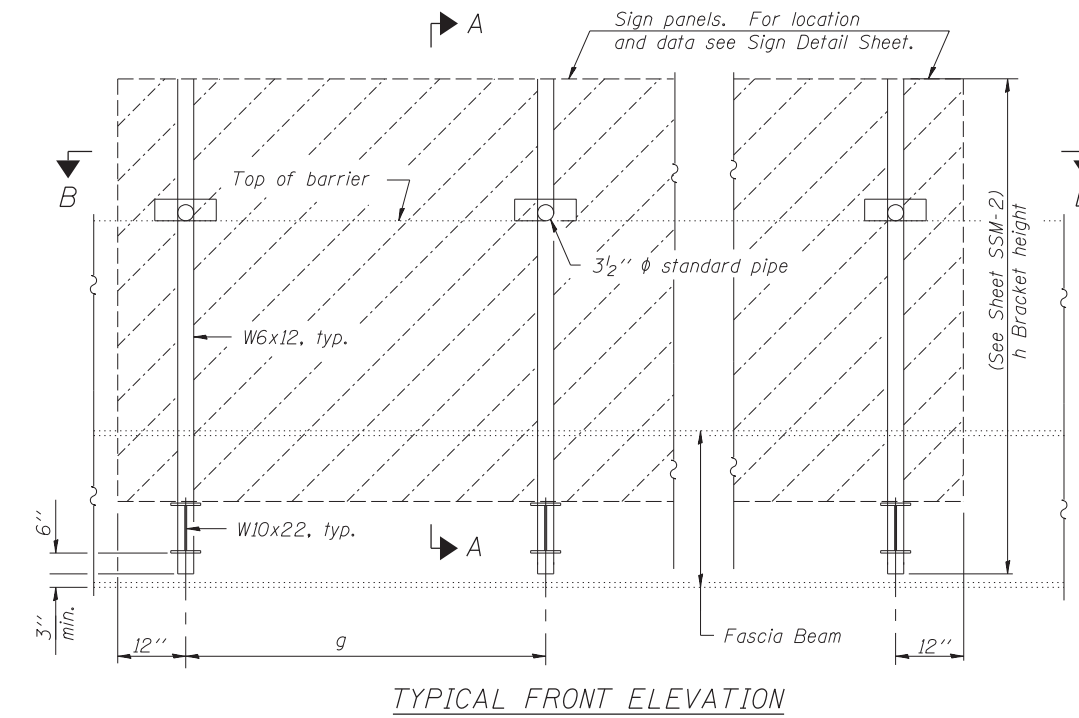
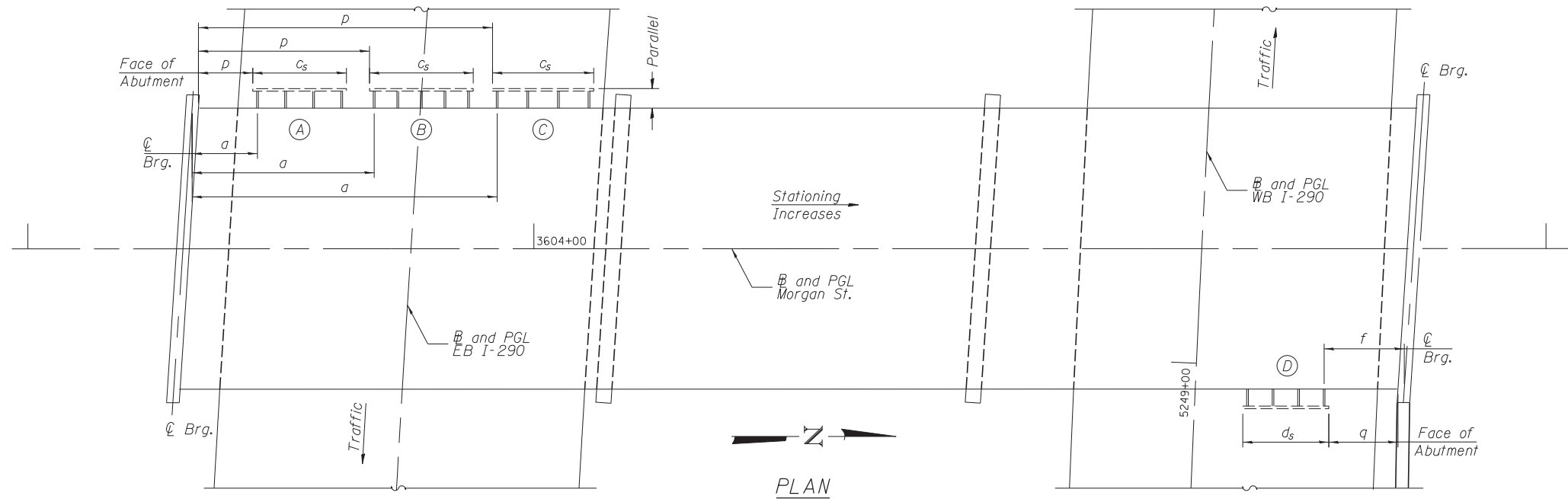
HIGH STRENGTH BOLTS: All bolts, washers, nuts and locknuts shall satisfy the requirements of ASTM designation A307 unless noted as "H.S." which shall require AASHTO M164 (A325), ASTM A449, or approved alternate. All fasteners shall be hot dip galvanized per AASHTO M232 unless otherwise specified.

GALVANIZING: All Steel Grating, Plates, Shapes and Pipe shall be Hot Dip Galvanized after fabrication in accordance with AASHTO M111. Painting is not permitted.

ANCHOR RODS: All-threaded rod shall conform to ASTM F1554 Grade 105, 3/4" ϕ x 12" long, each with one plate washer and locknut and be hot dip galvanized per AASHTO M232. They shall be either cast into the concrete or epoxy grouted in accordance with Section 584 of the Standard Specifications. Minimum embedment in concrete shall be 9".

INDEX OF SHEETS

SSM-1 Bridge Mount Sign Structures General Plan and Elevation
SSM-2 Bridge Mount Sign Structures and Connection Details
SSM-3 Bridge Mount Sign Structures Connection Details



NOTES:

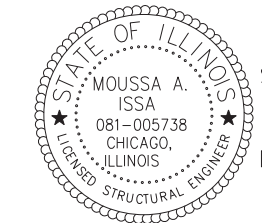
- "a" and "f" are measured from ϕ bearing along ϕ of fascia beam/girder to center of bracket.
- "p" and "q" are measured from front face of abutment along ϕ of fascia beam/girder to edge of sign.
- c_s & d_s = sign width
- For Section A-A, see sheet SSM-2.
- c_s and d_s are pay item limits for Overhead Sign Structures-Bridge Mounted.

Structure Number	Bridge Station	Bridge Structure Number	Contract Route Designation	a	c_s	d_s	f	g	No. of Brackets (Total)	p	q
1B0161290L029.5A	3603+53.74	016-1709	EB I-290	12'-9 1/2"	18'-6"	-	-	5'-6"	4	10'-9 1/2"	-
1B0161290L029.5B	3603+77.80	016-1709	EB I-290	35'-10 1/4"	20'-6"	-	-	4'-7 1/2"	5	33'-10 1/4"	-
1B0161290L029.5C	3604+01.86	016-1709	EB I-290	60'-1 7/8"	20'-0"	-	-	6'-0"	4	58'-1 7/8"	-
1B0161290R029.5D	3605+48.56	016-1709	WB I-290	-	-	17'-0"	15'-8 1/8"	5'-0"	4	-	13'-8 1/8"

Dimensions a, f & g may vary as approved by the Engineer, see Specifications.

TOTAL BILL OF MATERIAL

OVERHEAD SIGN STRUCTURE-BRIDGE MOUNTED	Foot	76
--	------	----



Signed Moussa A. Issa
Dr. Moussa A. Issa, S.E. II. Lic. No. 081-005738
Expires 11-30-2014
Date 6/17/2013

FILE PATH = C:\Users\will.mardous\OneDrive\Documents\Sign Structures\016\025-Sht-SignStruct01-Morgan1.dgn

HBM
ENGINEERING GROUP, LLC.
CONSULTING & DESIGN
INSPECTION & RATING
RESEARCH & TESTING
4415 WEST HARRISON ST.
SUITE 231
HILLSIDE, IL 60162
PHONE: (708) 236-0900
FAX: (708) 236-0901

D160W25-Sht-SignStruct01-Morgan1.dgn	DESIGNED - MI, MWM	REVISED -
USER NAME = will.mardous	DRAWN - MWM	REVISED -
PLOT SCALE = 0:1.0000 '1' / in.	CHECKED - MAI, MI	REVISED -
PLOT DATE = 6/14/2013	DATE - 6/17/2013	REVISED -

**STATE OF ILLINOIS
DEPARTMENT OF TRANSPORTATION**

**BRIDGE MOUNT SIGN STRUCTURES GENERAL PLAN AND ELEVATION
STRUCTURE NO. 016-1709**

F.A.I. RTE.	SECTION	COUNTY	TOTAL SHEETS	SHEET NO.
90/94/290	2013-007R	COOK	317	116
CONTRACT NO. 60W25			ILLINOIS FED. AID PROJECT	

SCALE: SHEET SSM-1 OF 3 SHEETS STA. TO STA.