

COMPLETE COMMODITY CODE NO. 05-6610-5310M

CODE NO.	MATERIALS	SIZE	QUAN.
(1) 05-6610-5310	PRE-CAST HANDHOLE	30"X36"	1
(2) 05-9075-5470	STONE 3/4" CRUSHED	BAG	5
(2) 05-5082-5330	SOND TUBE	30"	1
(2) 05-5082-5342	SOND TUBE	42"	1
(2) 05-3267-2940	CONC. REDI-MIX	CU. YD.	1/2
(2) 57-0770-0000	6" X 6" MESH	36"X10'	1
05-1452-9720	BRICK		24
02-4299-5524	FRAME MANHOLE	24"	1
02-4574-5040	COVER, MANHOLE	24"	1
09-7796-9312	GROUND ROD	3/4"X12'	1
09-2630-3240	GROUND CLAMP		1

- (1) PRE-CAST HANDHOLE SHALL INCLUDE CABLE HOOKS AND CONDUIT KNOCKOUTS.
 (2) THESE ITEMS ARE FOR POURED-IN-PLACE HANDHOLES ONLY.

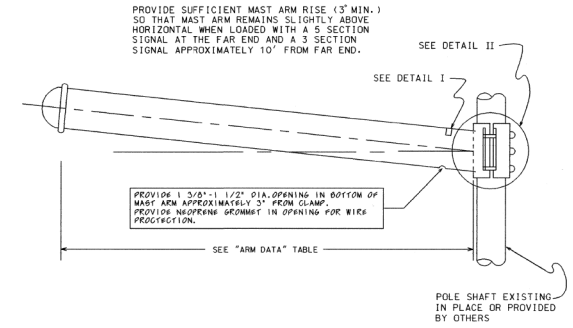
- CONSTRUCTION NOTES:**
- 8" BED OF STONE FOR DRAINAGE.
 - ALL METALLIC CONDUITS ENTERING HANDHOLE SHALL EXTEND MINIMUM 1" & MAXIMUM 3" INSIDE INNER WALL AND BE EQUIPPED WITH AN APPROVED TYPE OF THREADED GROUNDING BUSHING.

30" DIA. CONCRETE HANDHOLE

CITY OF CHICAGO

DATE: 12-10-08

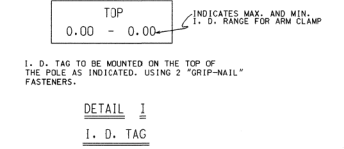
867



ARM DATA

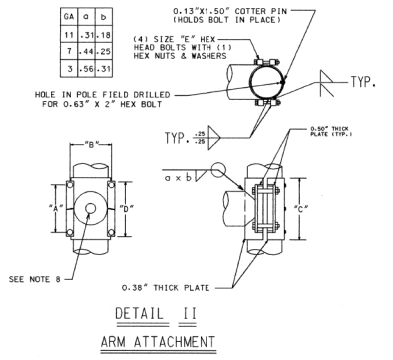
CLAMP RANGE (FEET)	POLE END (INCHES)	SIGNAL END (INCHES)	LENGTH (FEET)	GAUGE	WEIGHT (POUNDS)	TEST LOAD (POUNDS)	MAX. DEFLECTION (INCHES)
7.45-7.95	7.0	4.76	16	7	241	1700	6.5
7.45-7.95	7.0	4.20	20	7	274	1300	12.0
7.45-7.95	7.0	3.36	26	7	315	1000	24.0
8.45-8.95	8.0	3.80	30	7	409	1100	29.0
9.95-10.45	9.0	4.10	35	7	529	1200	36.0
9.95-10.45	9.0	3.40	40	7	559	1000	52.0
9.95-10.45	10.0	3.84	44	7		1200	57.0

- NOTES:**
- TRAFFIC SIGNAL ARM SHAFT ASTM DESIGNATION: A595 GRADE C, 60,000 PSI MINIMUM YIELD STRENGTH WITH A LINEAR TAPER -0.14"/FT.
 - TRAFFIC SIGNAL ARM END CAP SECURED IN PLACE WITH 3 SET SCREWS AND 1 THRU ARM END BOLT. (PLATED HARDWARE)
 - ALL THREADED FASTENERS TO BE GALVANIZED TO ASTM DESIGNATION: A153
 - ALL VEHICULAR AND/OR PEDESTRIAN SIGNAL LIGHTS AND NECESSARY HARDWARE FOR ATTACHMENT TO BE FIELD LOCATED AND FURNISHED BY OTHERS.
 - ALL ARM END CAPS AND ARM CLAMPS TO BE FULLY ASSEMBLED AND ATTACHED TO THE ARM PRIOR TO SHIPPING.
 - ARM ASSEMBLY TO BE DEGREASED; CHEMICALLY PRETREATED; GIVEN AN EXTERIOR THERMOSETTING POLYESTER POWDER COAT; AND AN INTERIOR THERMOPLASTIC HYDROCARBON RESIN POWDER COAT. ALL PAINTING TO BE IN ACCORDANCE WITH SPECIFICATION 1454, SECTION 8. "PAINTING".
 - MAST ARM SHALL BE TESTED IN ACCORDANCE WITH SPECIFICATION 1454, SECTION 9 WITH TEST VALUES AS SHOWN ON THE "ARM DATA" TABLE.
 - HOLE IN CLAMP TO BE 4.0" (MIN.). HOLE TO BE GROUND SMOOTH AND DEBURRED TO PROVIDE A SMOOTH WIRE ENTRY FROM POLE TO MAST ARM.



SIGNAL ARM ATTACHMENT DATA

CLAMP RANGE	"A"	"B"	"C"	"D"	"E"
7.45" - 7.95"	7.25"	9.92"	10.80"	10.32"	1.00" X 7.50"
8.45" - 8.95"	9.00"	10.66"	13.06"	12.50"	1.00" X 8.00"
9.95" - 10.45"	10.25"	12.66"	15.30"	13.50"	1.25" X 8.50"



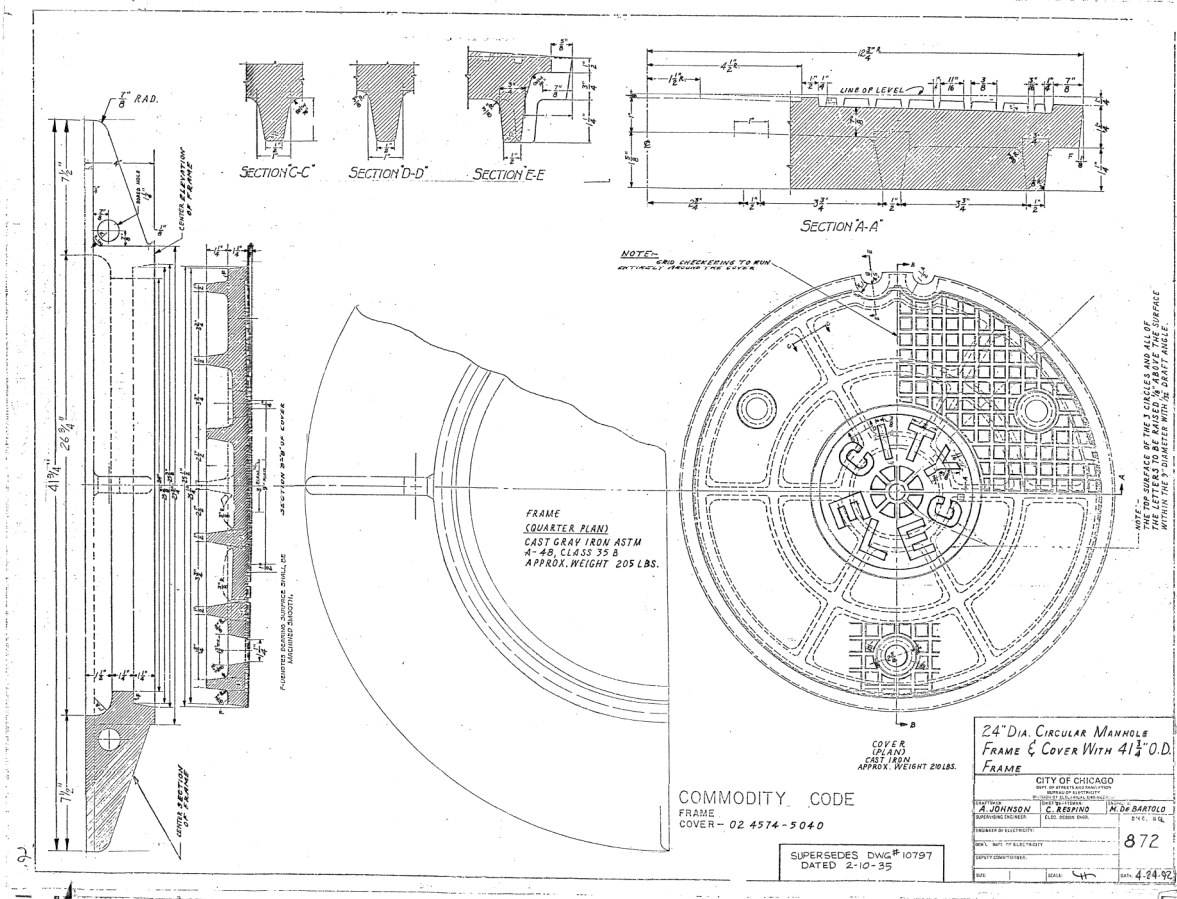
10-29-02 REFERENCES SPEC. 1454

8-6-93 WIRE OPENING ON MAST ARM

STEEL TRAFFIC SIGNAL MAST ARM-MONOTUBE

CITY OF CHICAGO

870

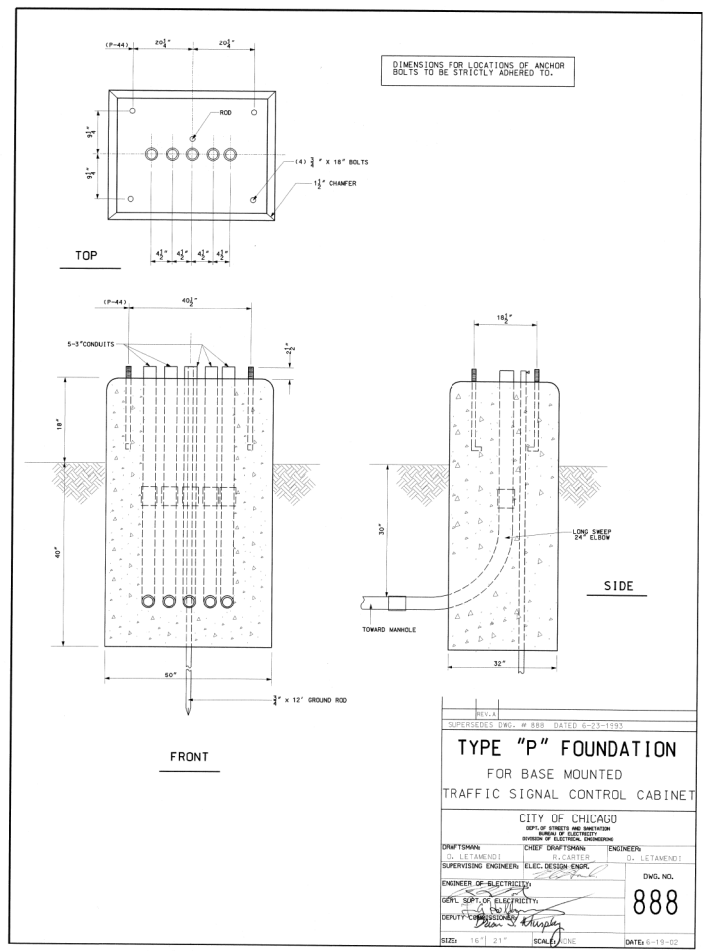


24" DIA. CIRCULAR MANHOLE

FRAME & COVER WITH 4 1/2" O.D. FRAME

CITY OF CHICAGO

872



TYPE "P" FOUNDATION

FOR BASE MOUNTED TRAFFIC SIGNAL CONTROL CABINET

CITY OF CHICAGO

888

FILE PATH = H:\Circle CAD\160W25-sht-Ts-08.dgn