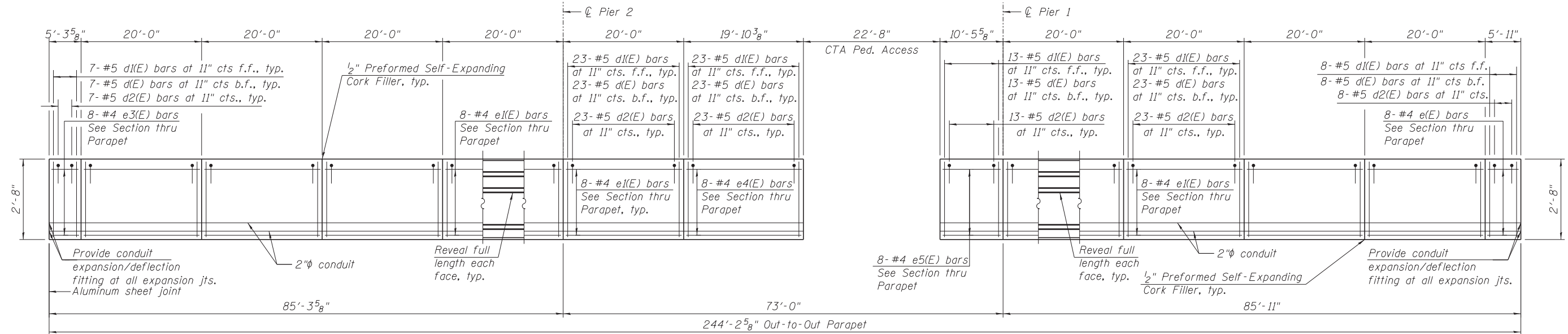


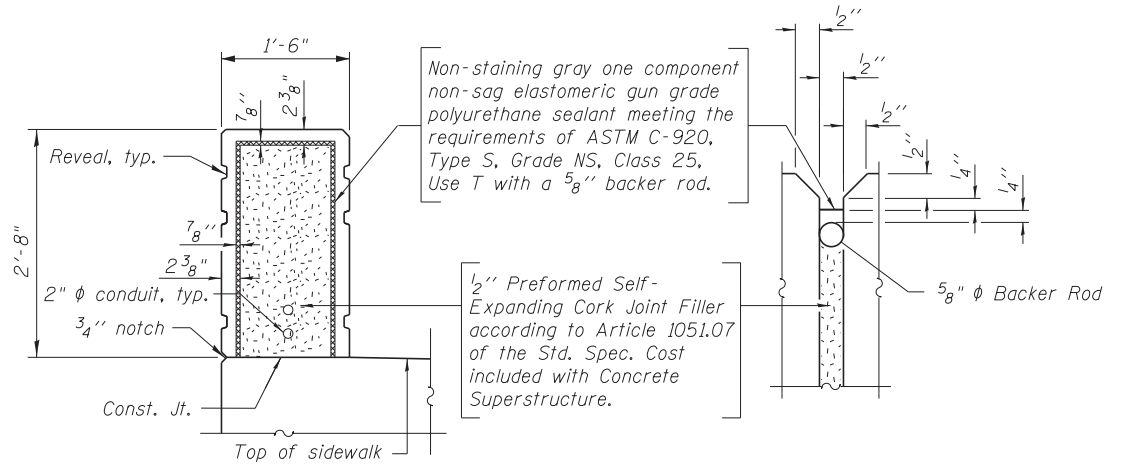
**INSIDE ELEVATION OF WEST PARAPET**  
 (Looking West)  
 (Architectural details are not shown for clarity)  
 (See Note 5)



**INSIDE ELEVATION OF EAST PARAPET**  
 (Looking East)  
 (Architectural details are not shown for clarity)  
 (See Note 5)

**NOTES:**

1. For notes, see Sheet S1-18.
2. For bar diagrams, see Sheet S1-18.
3. For bill of material, see Sheet S1-18.
4. All edges shall be chamfered 3/4".
5. For architectural details on the parapets, see Roadway plans.
6. For Bridge Fence Railing (special) details, see Sheet S1-21.
7. For Bridge Fence Railing (special) layout and post spacing, see Roadway plans.
8. For Decorative Railing Parapet Mounted details, see Sheet S1-20.
9. For Decorative Railing Parapet Mounted layout and post spacing, see Roadway plans.



**PARAPET JOINT DETAILS**

FILE PATH = C:\Users\will.mardoush\Desktop\0161709-60W25-S17-Parapet.dgn

**HBM**  
 ENGINEERING GROUP, LLC  
 CONSULTING & DESIGN  
 INSPECTION & RATING  
 RESEARCH & TESTING

4415 WEST HARRISON ST.  
 SUITE 231  
 HILLSIDE, IL 60162  
 PHONE: (708) 236-0900  
 FAX: (708) 236-0901

0161709-60W25-S17-Parapet.dgn  
 USER NAME = will.mardoush  
 PLOT SCALE = 9/8" = 1" / in.  
 PLOT DATE = 6/14/2013

DESIGNED - MI, WM  
 DRAWN - WM, JJS  
 CHECKED - MAI, MI, JJS  
 DATE - 6/17/2013

**STATE OF ILLINOIS  
 DEPARTMENT OF TRANSPORTATION**

**PARAPET ELEVATIONS AND DETAILS  
 STRUCTURE NO. 016-1709**

F.A.I. R.E.	SECTION	COUNTY	TOTAL SHEETS	SHEET NO.
90/94/290	2013-007R	COOK	317	161
CONTRACT NO. 60W25			ILLINOIS FED. AID PROJECT	

SCALE: SHEET S1-17 OF 51 SHEETS STA. TO STA.