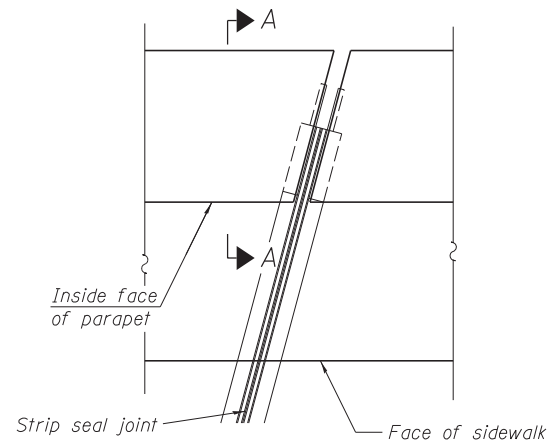
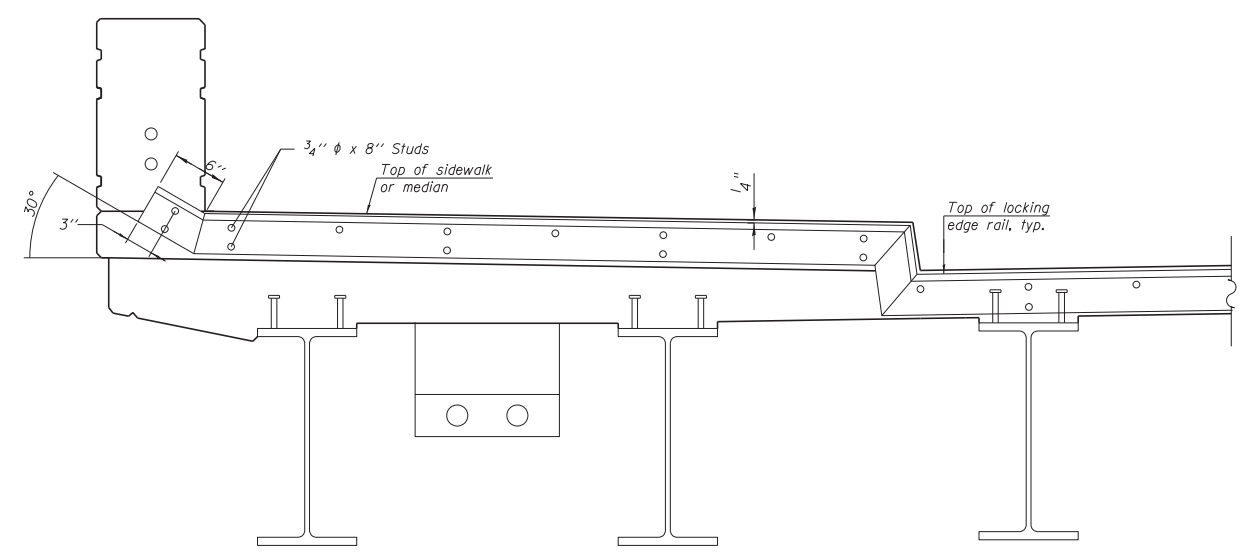


**TRIMETRIC VIEW**

(Showing back plates only)

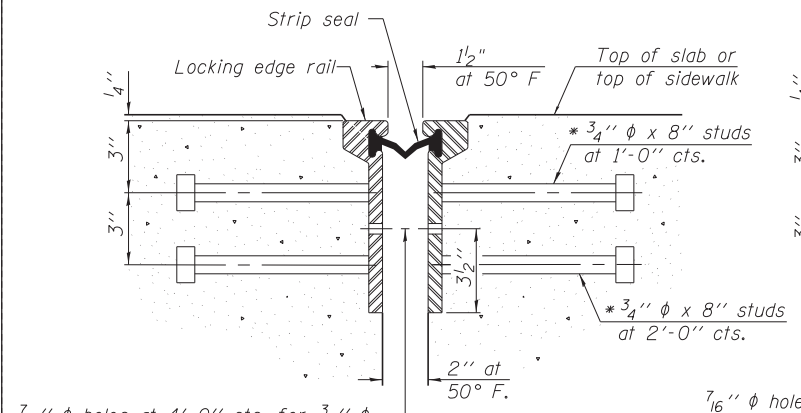


**PLAN**  
(For skews  $\leq 30^\circ$ )

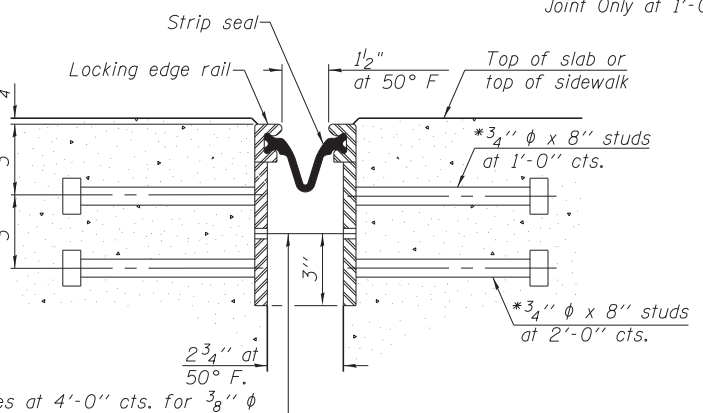


**TYPICAL END TREATMENT AT SIDEWALK**

Shorter plates with a single row of studs at 12" cts. may be necessary on sidewalks which are shallower than 9".  
Seemanufacturer's recommendation.

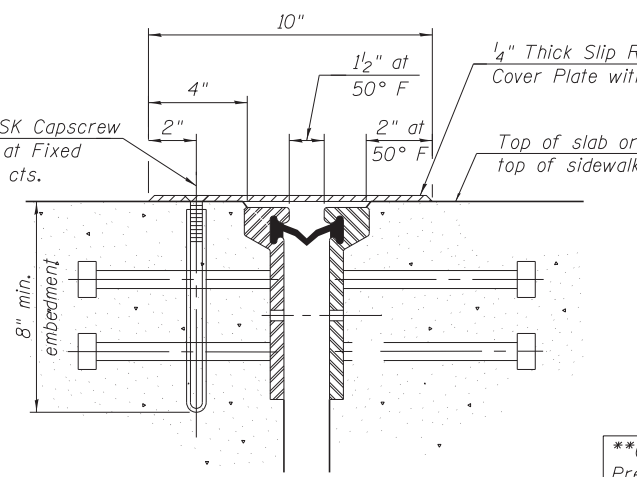


**SECTION THRU ROLLED RAIL JOINT**

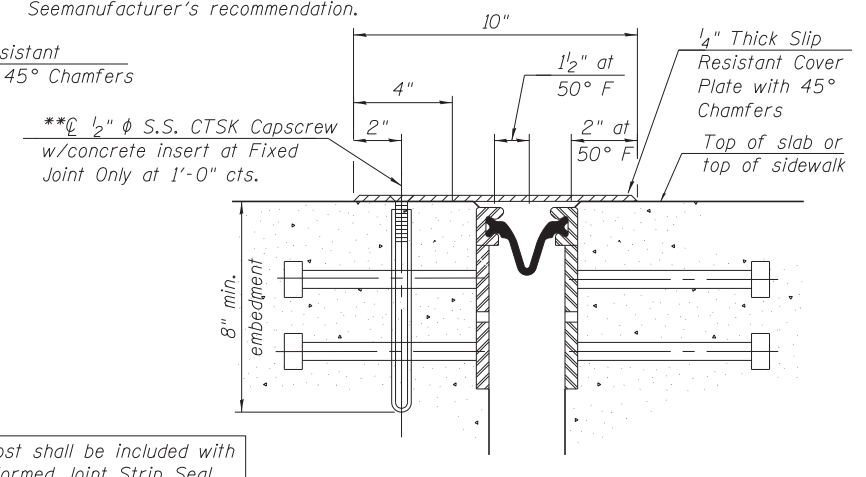


**SECTION THRU WELDED RAIL JOINT**

\* Granular or solid flux filled headed studs conforming to Article 1006.32 of the Std. Specs., automatically end welded.



**SECTION THRU ROLLED RAIL JOINT AT ADA RAMP**



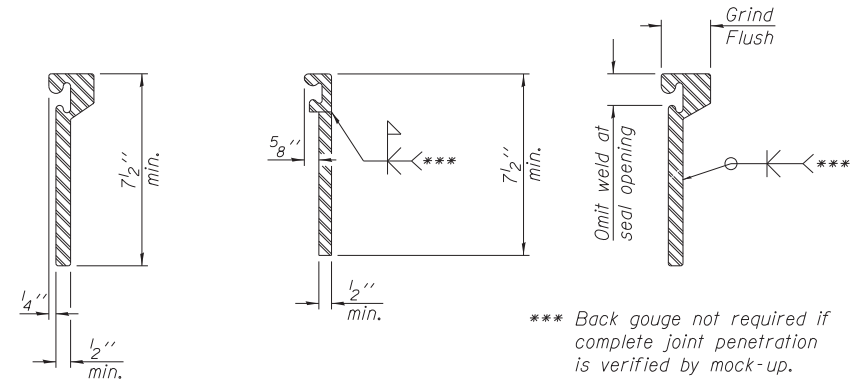
**SECTION THRU WELDED RAIL JOINT AT ADA RAMP**

Notes:  
At East Abut. and West Abut. attach cover plate to the Ramp Pavement with  $\frac{1}{2}$ "  $\phi$  S.S. CTSK capscrew with concrete insert at 1'-0" cts.  
All steel components shall be galvanized according to Article 520.03 of the Standard Specifications.

\*\*Cost shall be included with Preformed Joint Strip Seal

**NOTES:**

- The strip seal shall be made continuous and shall have a minimum thickness of  $\frac{1}{4}$ ". The configuration of the strip seal shall match the configuration of the Locking Edge Rails. Open or "webbed" strip seal gland configurations are not permitted. The gland shall be sized for a maximum rated movement of 4 inches.
- The Locking Edge Rails depicted are conceptual only, except for the minimum dimensions shown. The actual configuration of the Locking Edge Rails and matching strip seal may vary from manufacturer to manufacturer. Flanged edge rails will not be allowed. Locking Edge Rails may be spliced at slope discontinuities.
- The manufacturer's recommended installation methods shall be followed.
- The joint opening and deck dimensions detailed on the superstructure are based on a rolled rail expansion joint. If the Contractor elects to use the welded rail expansion joint, the opening and deck dimensions shall be modified according to the dimensions detailed on this sheet. Required modifications shall be made at no additional cost to the State.
- All steel components shall be galvanized after fabrication according to Article 520.03 of the Standard Specifications. Maximum space between rail segments shall be  $\frac{3}{16}$ ", sealed with a suitable sealant. Joints in rails within 10 ft. of curbs shall be welded.
- Parapet plates and anchorage studs for skews  $> 30^\circ$  included in the cost of Preformed Joint Strip Seal.



\*\*\* Back gouge not required if complete joint penetration is verified by mock-up.

**LOCKING EDGE RAIL SPLICE**

The inside of the locking edge rail groove shall be free of weld residue.  
Rolled rail shown, welded rail similar.

**BILL OF MATERIAL**

Item	Unit	Total
Preformed Joint Strip Seal	Foot	124

FILE PATH = C:\Users\will.mardous\Desktop\Workgen\0161709-60W25-S19-ExpJoint.dgn

**HBM**  
ENGINEERING GROUP, LLC  
CONSULTING & DESIGN  
INSPECTION & RATING  
RESEARCH & TESTING

4415 WEST HARRISON ST.  
SUITE 231  
HILLSIDE, IL 60162  
PHONE: (708) 236-0900  
FAX: (708) 236-0901

0161709-60W25-S19-ExpJoint.dgn	DESIGNED - MI, WM	REVISED -
USER NAME = will.mardous	DRAWN - WM, MAF	REVISED -
PLOT SCALE = 1:8.0000 '1' / 1"	CHECKED - MAI, MI, JJS	REVISED -
PLOT DATE = 6/14/2013	DATE - 6/17/2013	REVISED -

**STATE OF ILLINOIS  
DEPARTMENT OF TRANSPORTATION**

**PREFORMED JOINT STRIP SEAL  
STRUCTURE NO. 016-1709**

SCALE: SHEET S1-19 OF 51 SHEETS STA. TO STA.

F.A.I. RTE. 90/94/290	SECTION 2013-007R	COUNTY COOK	TOTAL SHEETS 317	SHEET NO. 163
CONTRACT NO. 60W25			ILLINOIS FED. AID PROJECT	