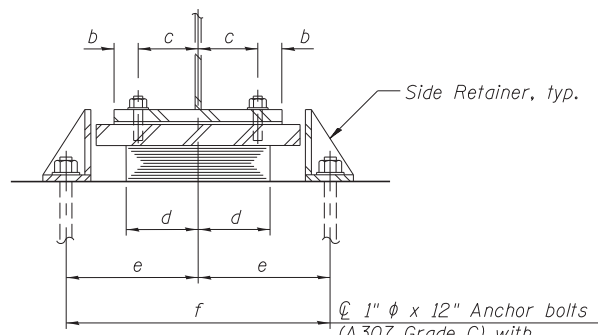


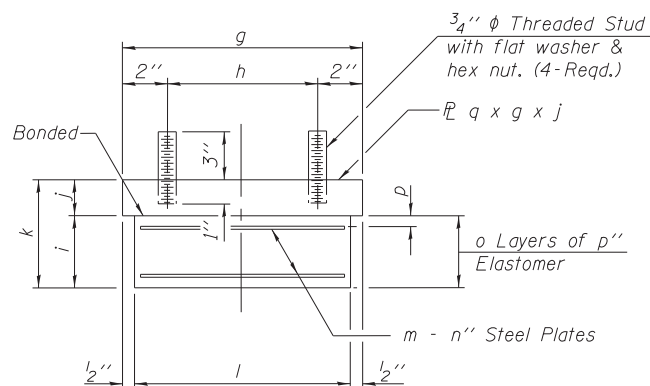
ELEVATION AT ABUT.



SECTION A-A

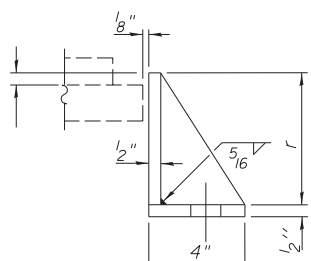
1" x 12" Anchor bolts (A307 Grade C) with 2 1/4" x 2 1/4" x 5/16" washer under nut

TYPE I ELASTOMERIC EXP. BRG. AT NORTH ABUTMENT AND PIER 1



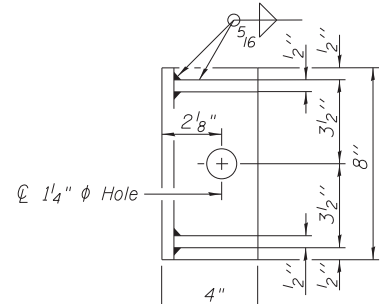
BEARING ASSEMBLY

Note: Shim plates shall not be placed under Bearing Assembly.



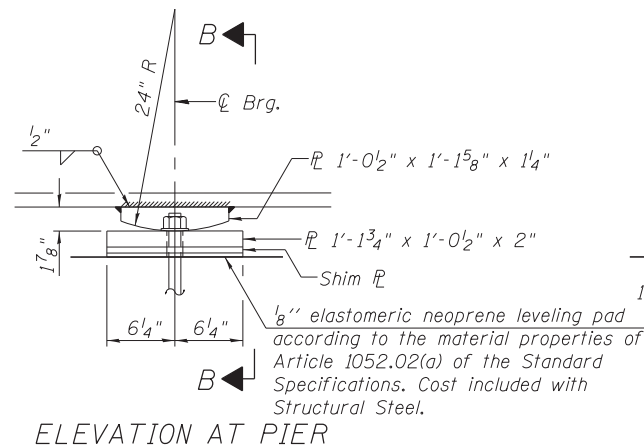
SIDE RETAINER

Equivalent rolled angle with stiffeners will be allowed in lieu of welded plates.



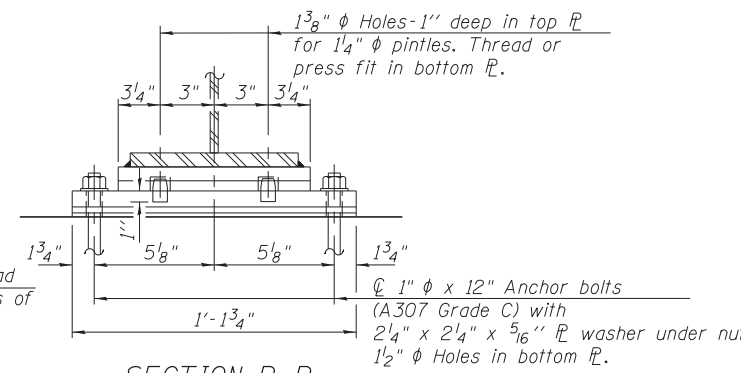
BEARING DIMENSION TABLE

Location	a	b	c	d	e	f	g	h	i	j	k	l	m	n	o	p	q	r
N. Abut.	5 1/2"	2"	4"	8"	11 1/4"	1'-10 1/2"	12"	8"	3 5/8"	1 1/8"	5 1/2"	11"	5	1 1/8"	6	1 1/2"	18"	5 1/2"
Pier 1	7"	2"	4"	11"	1'-2 1/4"	2'-4 1/2"	1'-3"	11"	2 1/16"	2 3/4"	5 3/16"	1'-2"	2	3/16"	3	1 1/16"	2'-0"	5 1/4"



ELEVATION AT PIER

FIXED BEARING AT PIER 2



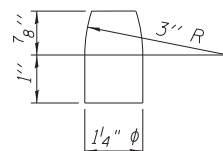
SECTION B-B

BILL OF MATERIAL

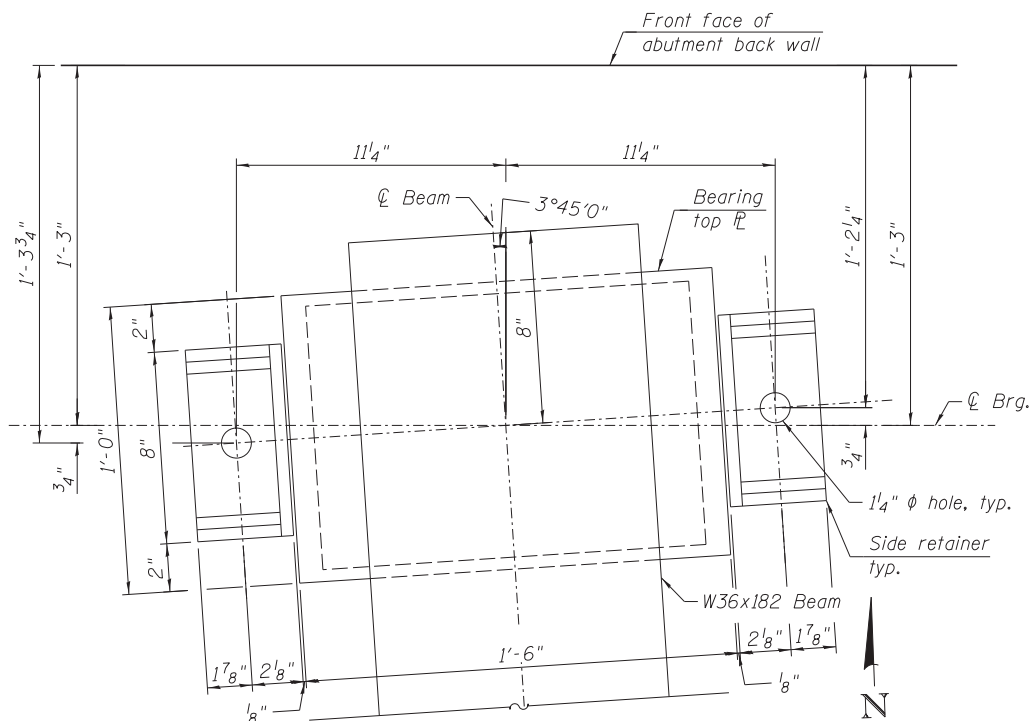
Item	Unit	Total
Elastomeric Bearing Assembly Type I	Each	24
Anchor Bolts, 1"	Each	72

NOTES

- Anchor bolts shall be ASTM F1554 all-thread (or an Engineer-approved alternate material) of the grade(s) and diameter(s) specified. The corresponding specified grade of AASHTO M314 anchor bolts may be used in lieu of ASTM F1554.
- Anchor bolts at fixed bearings may be either cast in place or installed in holes drilled after the supported member is in place.
- Anchor bolts for side retainers may be cast in place or installed in holes drilled before or after members are in place.
- Drilled and set anchor bolts shall be installed according to Article 521.06 of the Standard Specifications.
- Side retainers and other steel members required for the elastomeric bearing assembly shall be included in the cost of Elastomeric Bearing Assembly, Type I.
- Cost of fixed bearings shall be included with Furnishing and Erecting Structural Steel.
- All structural steel included in Bearing Assemblies shall be hot dipped galvanized. Cost included with Furnishing and Erecting Structural Steel of Elastomeric Bearing Assembly Type I.

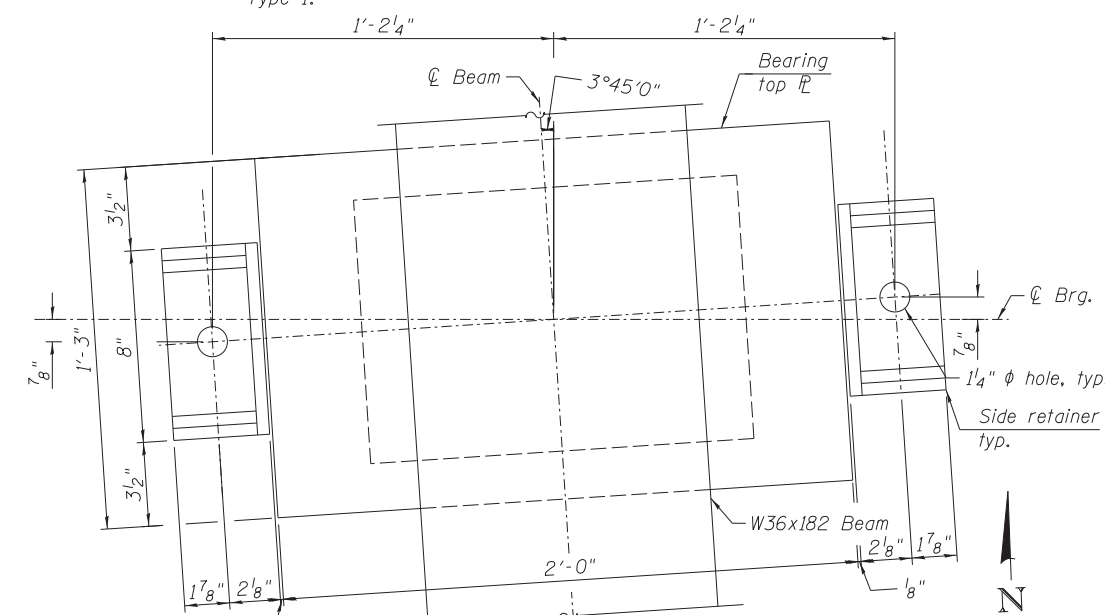


PINTLE



BEARING ORIENTATION LAYOUT PLAN

(North Abutment)



BEARING ORIENTATION LAYOUT PLAN

(Pier 1)

I-2E-1

I-27-12

FILE PATH = C:\Users\will.mardous\Desktop\WorGen\0161709-60W25-S25-Bearing.dgn

HBM ENGINEERING GROUP, LLC. 4415 WEST HARRISON ST. SUITE 231 HILLSIDE, IL 60162 PHONE: (708) 236-0900 FAX: (708) 236-0901

0161709-60W25-S25-Bearing.dgn  
USER NAME = will.mardous  
PLOT SCALE = 0:4.0000 '1' / in.  
PLOT DATE = 6/14/2013

DESIGNED - LAB, JMC  
DRAWN - LAB, JMC  
CHECKED - MAI, MI, JJS  
DATE - 6/17/2013

REVISED -  
REVISED -  
REVISED -  
REVISED -

STATE OF ILLINOIS DEPARTMENT OF TRANSPORTATION

ELASTOMERIC BEARING TYPE I AND FIXED BEARING STRUCTURE NO. 016-1709

SCALE: SHEET S1-25 OF 51 SHEETS STA. TO STA.

F.A.I. R.E. 90/94/290	SECTION 2013-007R	COUNTY COOK	TOTAL SHEETS 317	SHEET NO. 169
CONTRACT NO. 60W25			ILLINOIS FED. AID PROJECT	