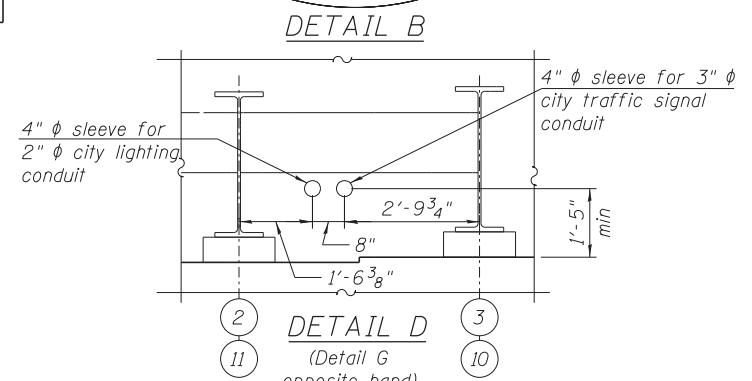
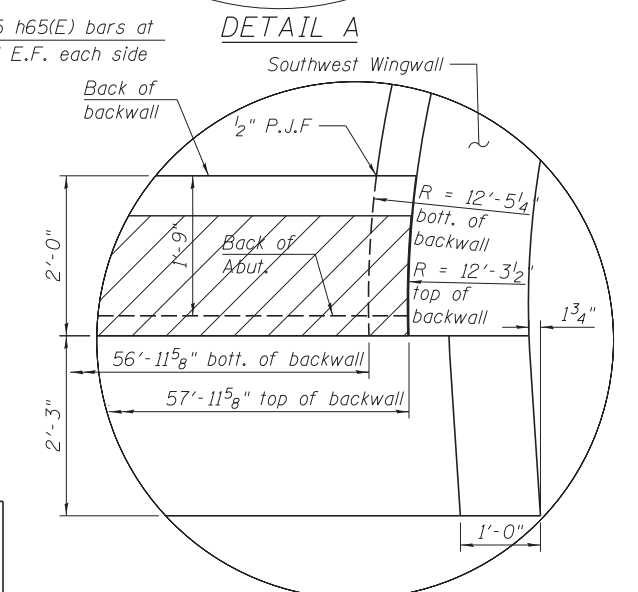
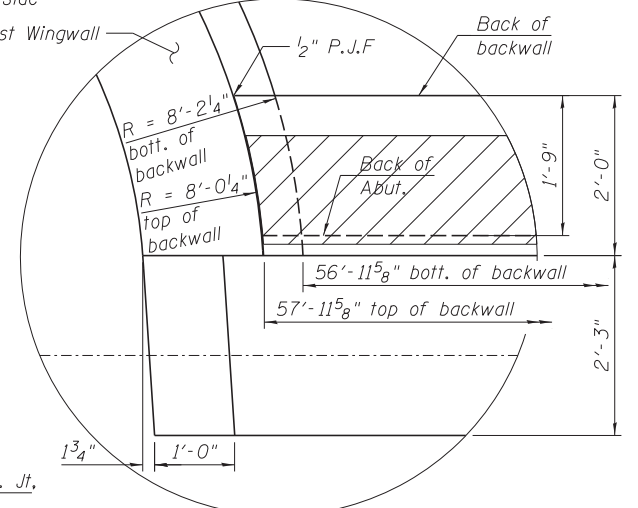


NOTES

1. For Section A-A, see Sheet S1-29.
2. For wingwall reinforcement and details, see Sheet S1-30.
3. For Bearing orientation layout plan, see Sheet S1-26.
4. For location of ITS, lighting and City of Chicago conduits, see lighting plans. The Contractor shall coordinate the locations of ComEd conduits with the ComEd plans and Contractor.

TOP OF BACKWALL (CLOSURE POUR) ELEVATIONS

POINTS	FRONT FACE	BACK FACE
A - West Curb Line	595.63	595.61
B - Crown	595.90	595.82
C - East Curb Line	595.59	595.51



ELEVATION
(Looking South)

FILE PATH = C:\Users\will.mardous\Desktop\Mapgen\0161709-60W25-S27-SouthAbutment1.dgn

HBM
ENGINEERING GROUP, LLC
CONSULTING & DESIGN
INSPECTION & RATING
RESEARCH & TESTING

4415 WEST HARRISON ST.
SUITE 231
HILLSIDE, IL 60162
PHONE: (708) 236-0900
FAX: (708) 236-0901

0161709-60W25-S27-SouthAbutment1.dgn
USER NAME = will.mardous
PLOT SCALE = 3/8" = 1' / in.
PLOT DATE = 6/14/2013

DESIGNED - MI, MAF
DRAWN - LAB, MAF
CHECKED - MAI, MI, JJS
DATE - 6/17/2013

REVISED -
REVISED -
REVISED -
REVISED -

STATE OF ILLINOIS
DEPARTMENT OF TRANSPORTATION

SOUTH ABUTMENT PLAN AND ELEVATION
STRUCTURE NO. 016-1709

SCALE: SHEET S1-27 OF 51 SHEETS STA. TO STA.

F.A.I. R.T.E.	SECTION	COUNTY	TOTAL SHEETS	SHEET NO.
90/94/290	2013-007R	COOK	317	171

CONTRACT NO. 60W25
ILLINOIS FED. AID PROJECT