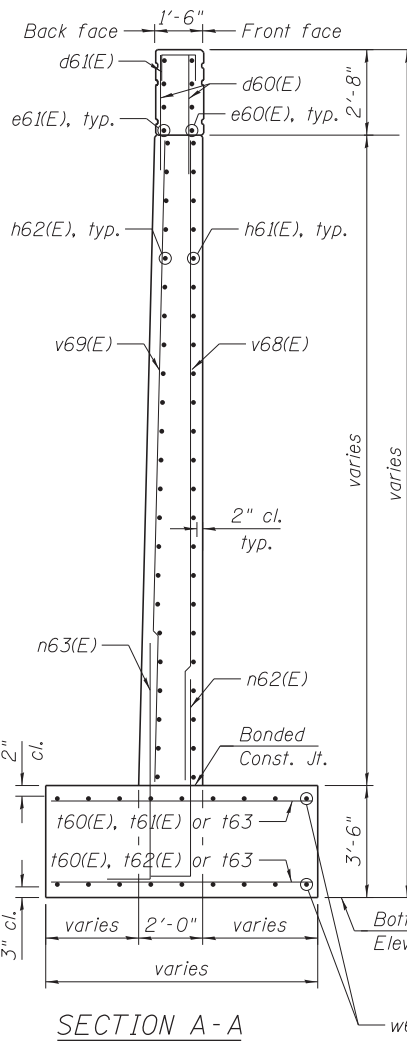
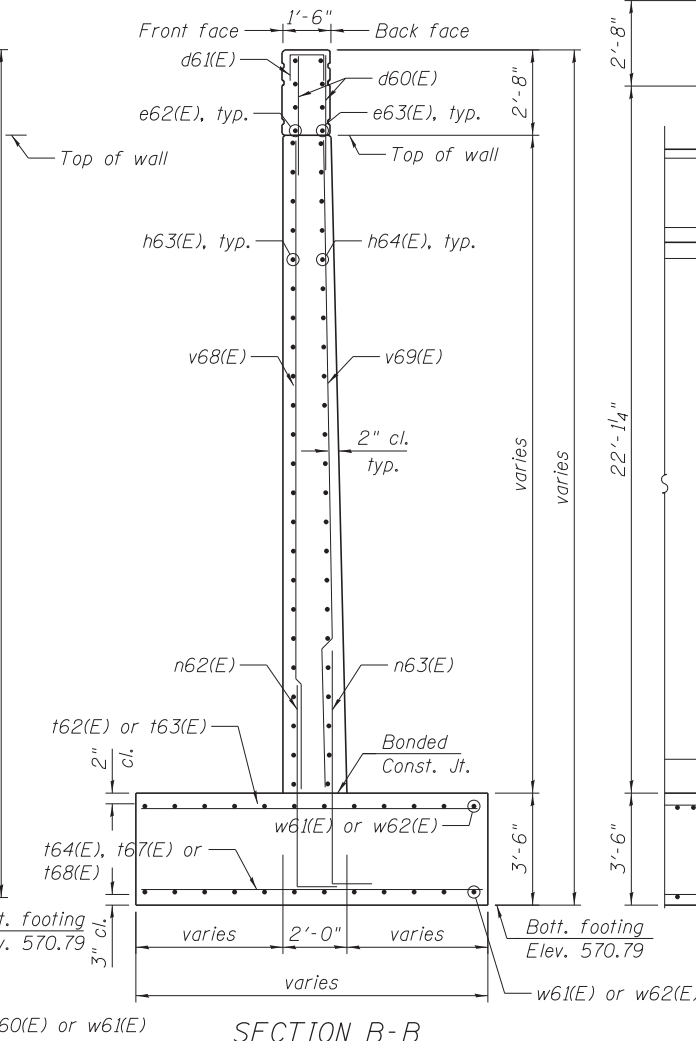


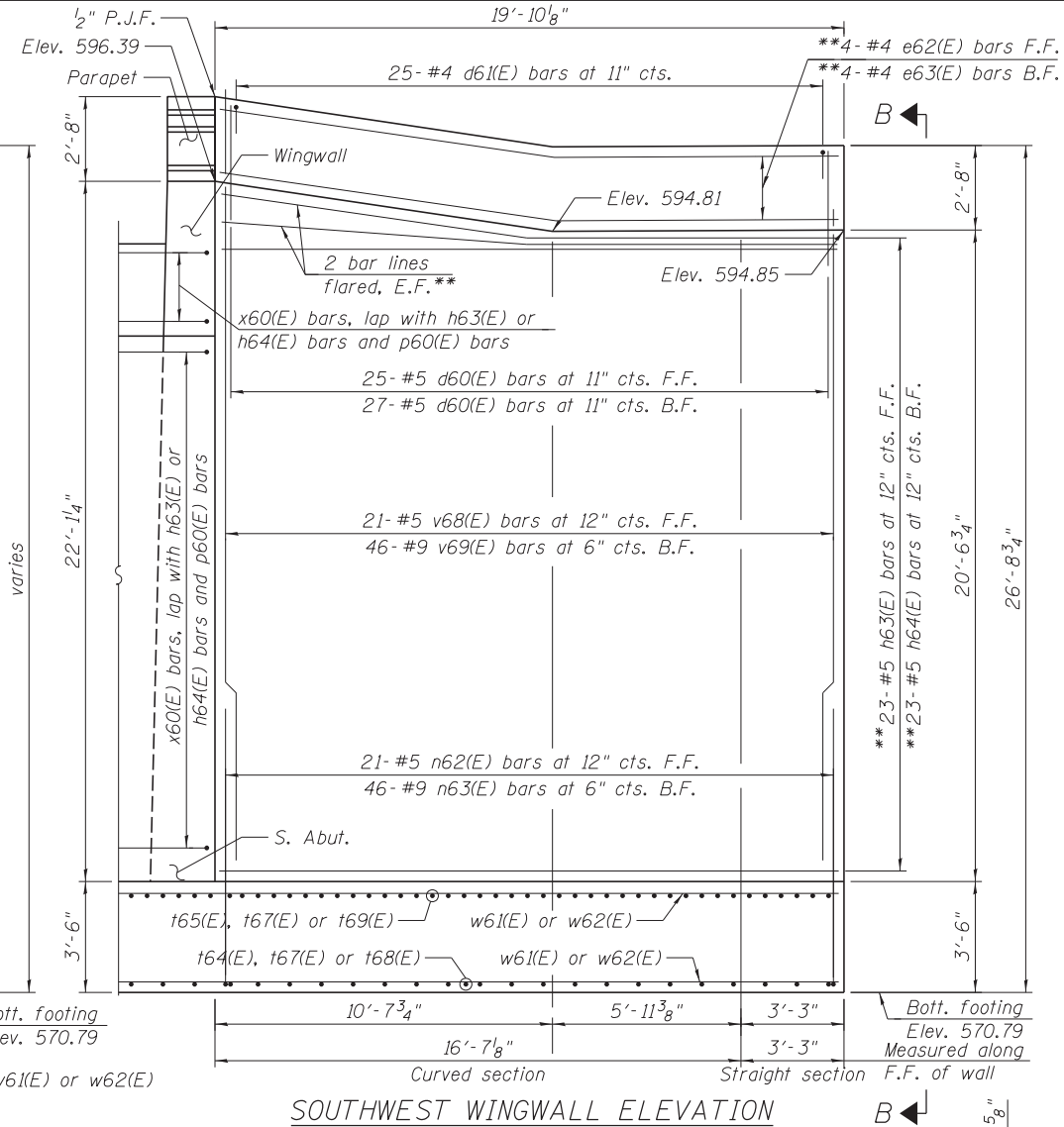
SOUTHEAST WINGWALL ELEVATION
(Looking South)



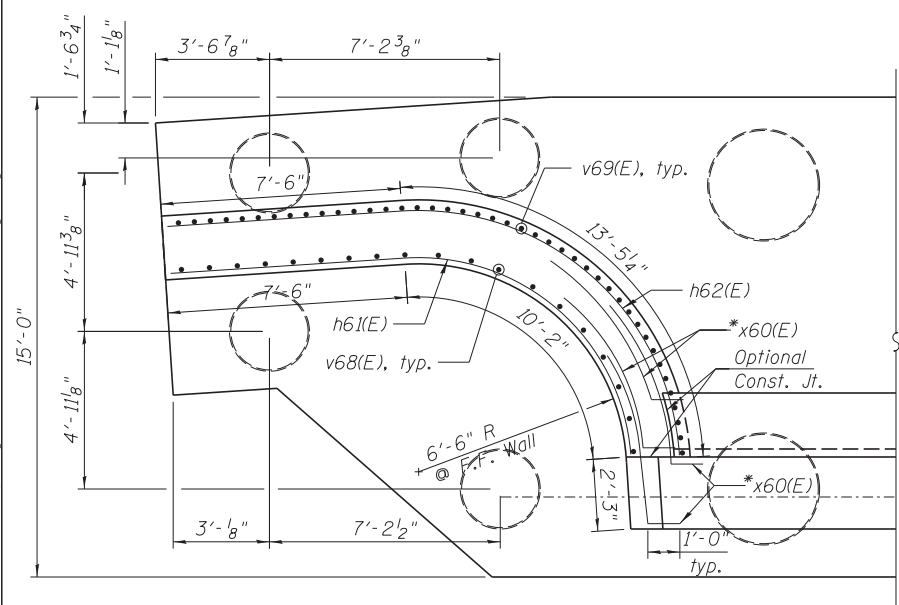
SECTION A-A



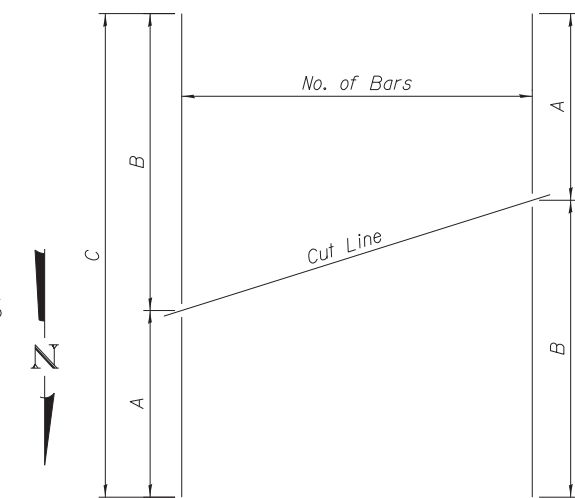
SECTION B-B



SOUTHWEST WINGWALL ELEVATION
(Looking South)



SOUTHEAST WINGWALL PLAN



SERIES OF BAR CUTTING DIAGRAM

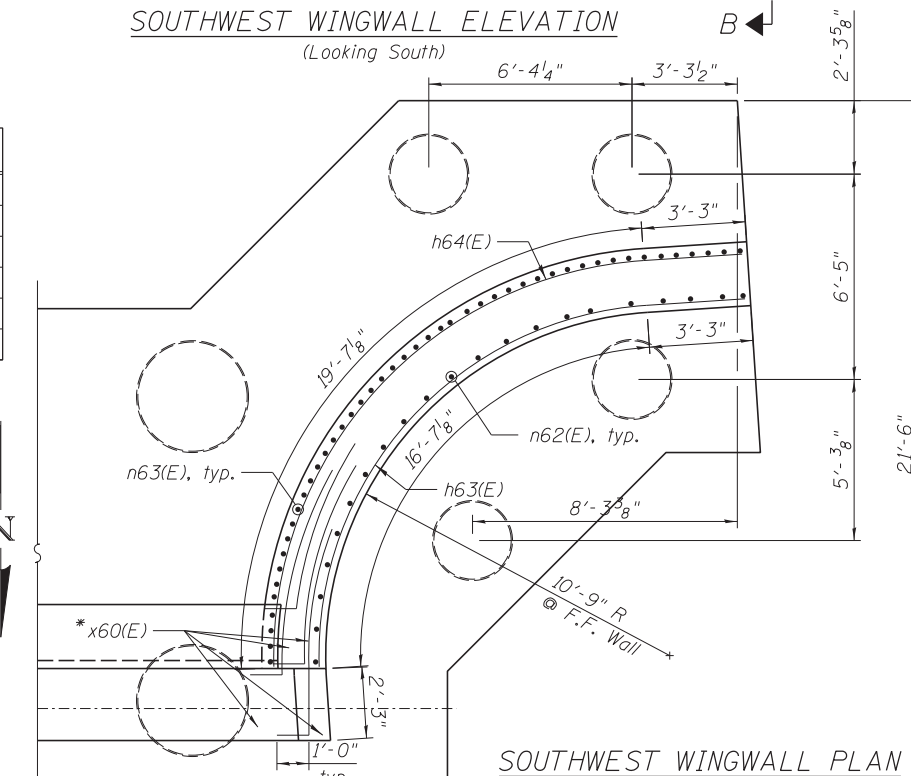
See table for dimensions. Make all cuts normal to bar axis

BAR TABLE SCHEDULE

Bar	No. of Sets Req'd	No. of Bars Per Set	A	B	C
t61(E)	1	7	8'-7"	14'-3"	22'-10"
t62(E)	1	4	8'-7"	14'-3"	22'-10"
t64(E)	1	3	14'-11"	20'-11"	35'-10"
t65(E)	1	7	14'-11"	20'-11"	35'-10"
t68(E)	1	3	11'-3"	17'-3"	28'-6"
t69(E)	1	7	11'-3"	17'-3"	28'-6"

NOTES:

1. Reinforcement bars designated (E) shall be epoxy coated.
2. Bars noted thus 3x2-#5 indicates 3 lines of bars with 2 bars per line.
3. Driving piles and temporary sheet piling is not allowed.
4. For Bill of Materials, see Sheet S1-29.
5. Concrete required for parapet shall be included with Superstructure.



SOUTHWEST WINGWALL PLAN

FILE PATH = C:\Users\willmar.douss\Desktop\WingWall.dgn

HBM
ENGINEERING GROUP, LLC
CONSULTING & DESIGN
INSPECTION & RATING
RESEARCH & TESTING

4415 WEST HARRISON ST.
SUITE 231
HILLSIDE, IL 60162
PHONE: (708) 236-0900
FAX: (708) 236-0901

0161709-60W25-S30-S.Abut.WingWall.dgn
USER NAME = willmar.douss
PLOT SCALE = 3/8" = 1' / in.
PLOT DATE = 6/14/2013

DESIGNED - MI, MAF
DRAWN - LAB, MAF
CHECKED - MAI, MI, JJS
DATE - 6/17/2013

**STATE OF ILLINOIS
DEPARTMENT OF TRANSPORTATION**

**SOUTH ABUTMENT WINGWALLS
STRUCTURE NO. 016-1709**

SCALE: SHEET S1-30 OF 51 SHEETS STA. TO STA.

F.A.I. R.T.E.	SECTION	COUNTY	TOTAL SHEETS	SHEET NO.
90/94/290	2013-007R	COOK	317	174
CONTRACT NO. 60W25			ILLINOIS FED. AID PROJECT	