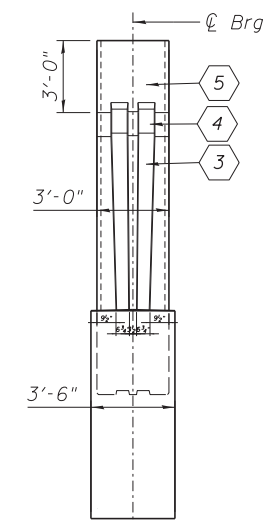


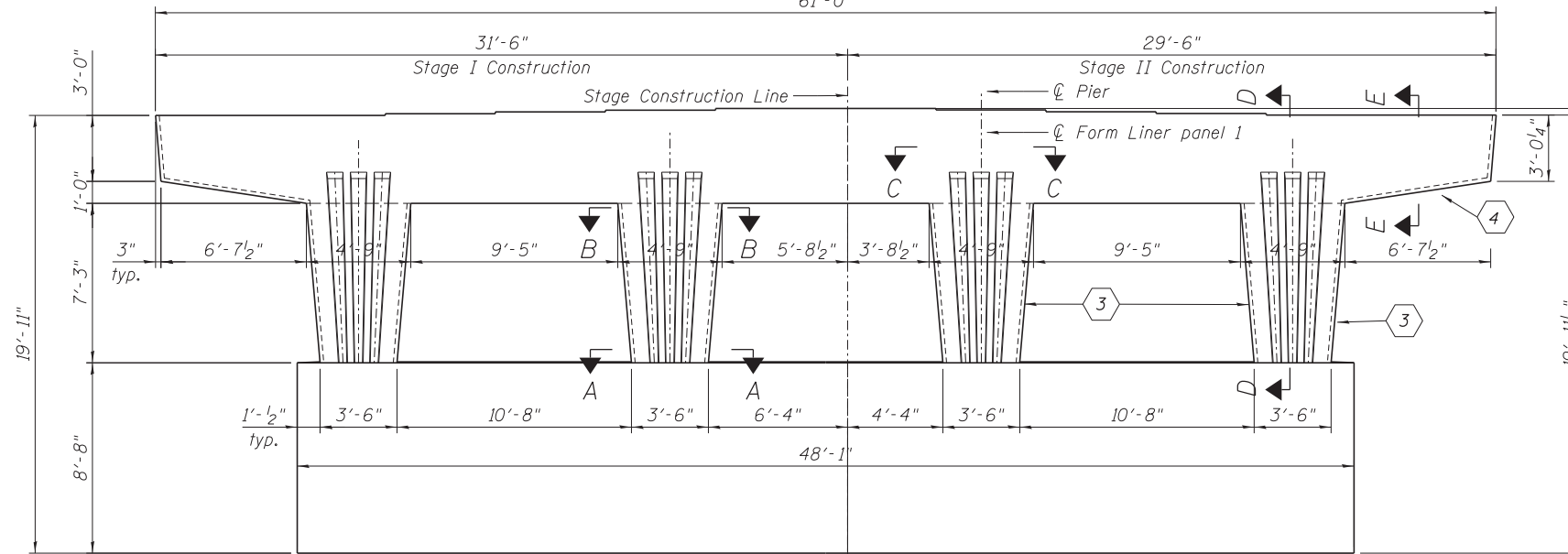
PIER 1 ELEVATION

(Looking North)  
61'-0"



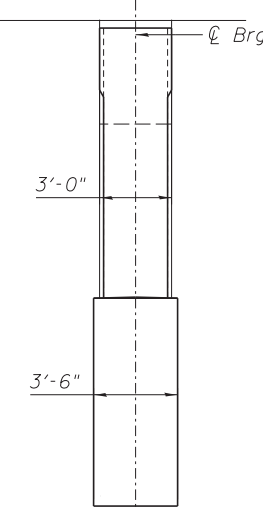
PIER 1 END VIEW

(Looking West)



PIER 1 ELEVATION

(Looking South)



Section D-D

(Looking East)

FORM LINER  
PANEL 1 & 2 -

FORM LINER  
PANEL 3 -

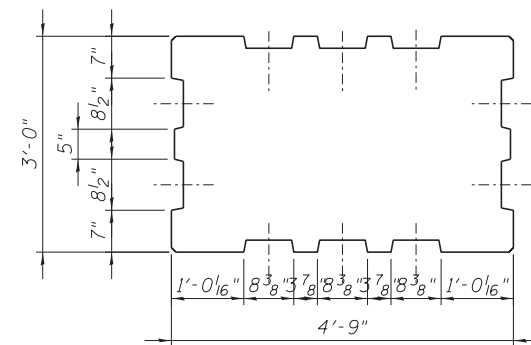
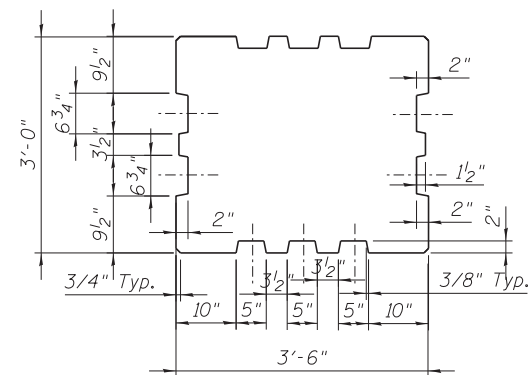
- 1 2 3 4 Textured Form Liner: Texture 1 & 2
- 5 Textured Form Liner: Texture 1 & 2

Note: For surface indicated as 5, contractor can chose to build those large protrusion directly into there forms, providing a smooth uniform surface and stain all piers and caps with light gray semi transparent stain.

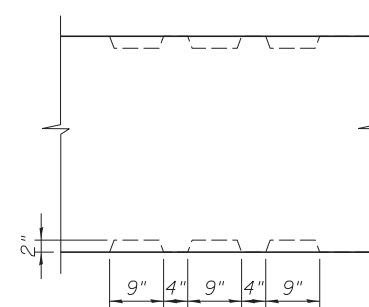
NOTES:

BILL OF MATERIAL

ITEM	UNIT	TOTAL
Form Liner Textured Surface	SQ FT	920



Section B-B



Section C-C

Section E-E

STATE OF ILLINOIS  
DEPARTMENT OF TRANSPORTATION

PIER 1 ARCHITECTURAL DETAILS  
STRUCTURE NO. 016-1709

SCALE: SHEET S1-39 OF 51 SHEETS STA. TO STA.

F.A.I. RTE.	SECTION	COUNTY	TOTAL SHEETS	SHEET NO.
90/94/290	2013-007R	COOK	317	183
CONTRACT NO. 60W25			ILLINOIS FED. AID PROJECT	