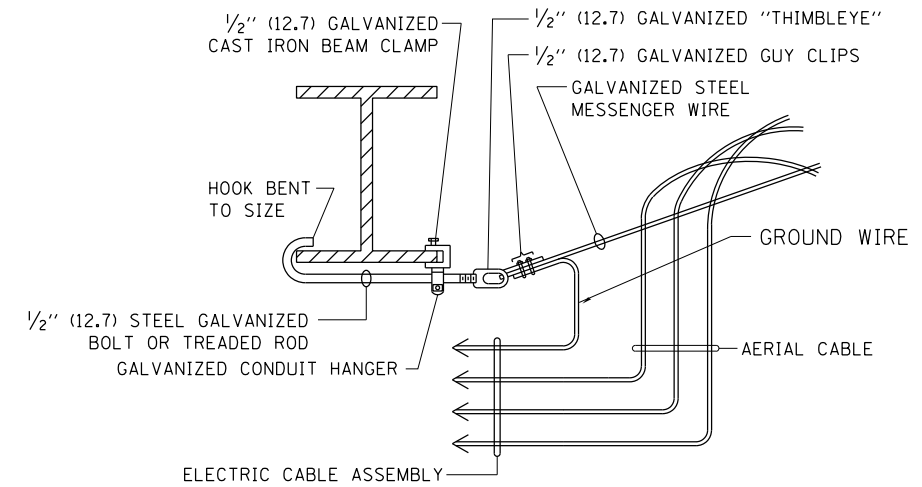


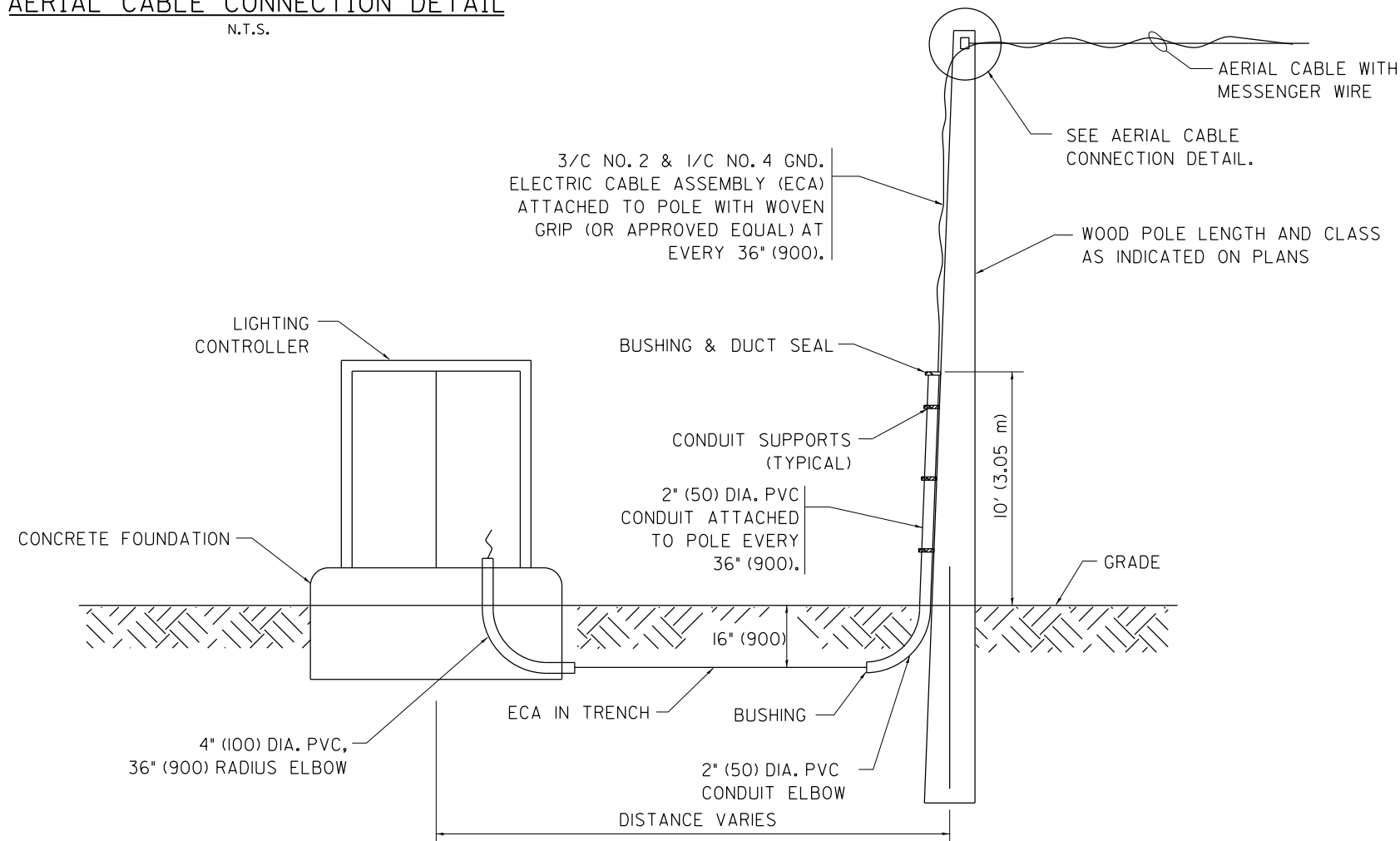
**AERIAL CABLE CONNECTION DETAIL**  
N.T.S.



**AERIAL CABLE ATTACHED TO STRUCTURE**  
NOT TO SCALE

**NOTES:**

1. ALL DIMENSIONS IN INCHES (MILLIMETERS) UNLESS OTHERWISE INDICATED.
2. SEE PROPOSED LIGHTING PLAN FOR CONDUIT, CABLE AND ROUTING.
3. THE CONTRACTOR SHALL PROVIDE INTERMEDIATE SUPPORTS TO MAINTAIN MINIMUM CLEARANCES. REFER TO AERIAL AERIAL CABLE ATTACHED TO STRUCTURE DETAIL.
4. COST OF SPLICES AND MOUNTING HARDWARE SHALL BE INCLUDED IN THE UNIT PRICE FOR AERIAL CABLE.



**WOOD POLE TO LIGHTING CONTROLLER WIRING CONNECTION DETAIL**  
N.T.S.

FILE NAME =	USER NAME = pteip2	DESIGNED -	REVISED - 08-08-03
C:\p\388039-pwintl\ecomon\lne.local\p\ae\000\Documents\01 Americas\Transportation\4000\Drawn\CirclePhase_11\000\CAD\006_Road\60W25_Contract\0160W25-SHT-D1\Detail-18.dgn		CHECKED -	REVISED -
PLOT SCALE = 50.000' / in.		DATE -	REVISED -
PLOT DATE = 5/15/2013			

**STATE OF ILLINOIS  
DEPARTMENT OF TRANSPORTATION**

<b>TEMPORARY AERIAL CABLE INSTALLATION</b>			
SCALE: NONE	SHEET NO. 18 OF 31 SHEETS	STA.	TO STA.

F.A.I. RTE.	SECTION	COUNTY	TOTAL SHEETS	SHEET NO.
	2013-007R	COOK	317	250
<b>BE-801</b>		<b>CONTRACT NO. 60W25</b>		
FED. ROAD DIST. NO. 1 ILLINOIS FED. AID PROJECT				