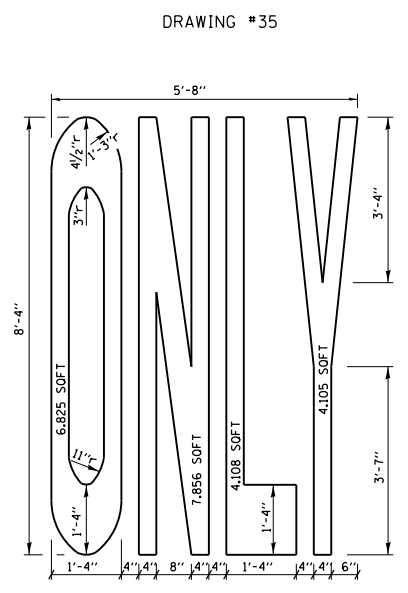
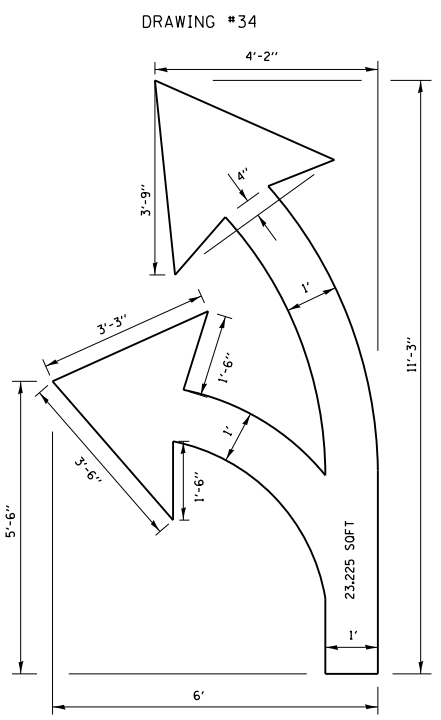
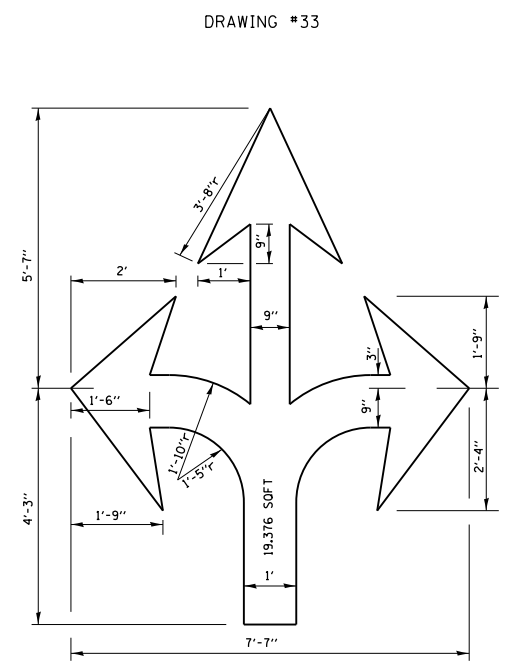
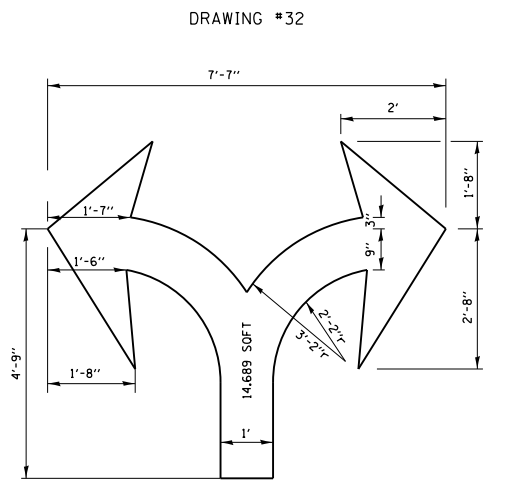
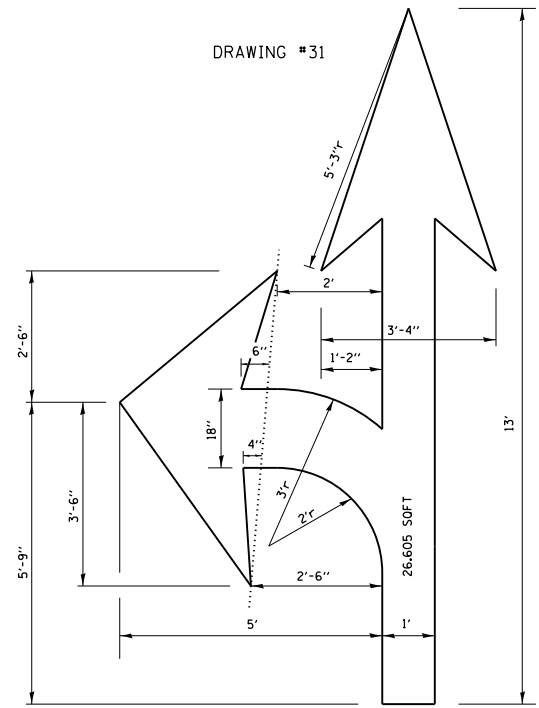
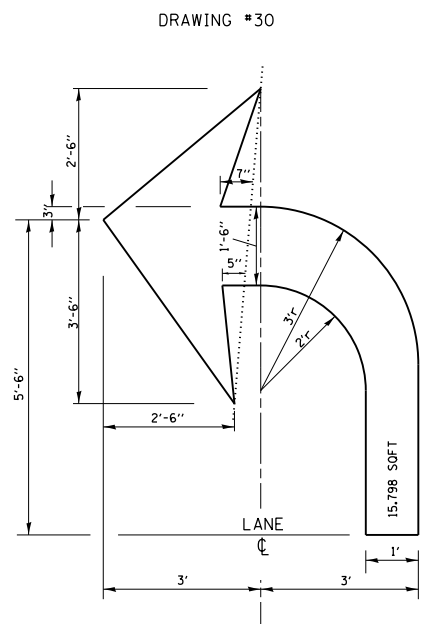
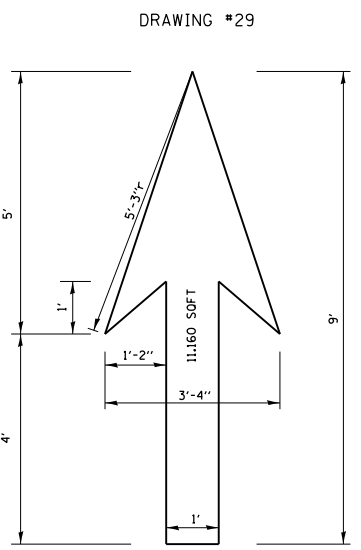


**NOTE:**  
 1.) FOR BIKE LANE SYMBOLS ONLY, USE PRE-FORMED THERMOPLASTIC WITH A MINIMUM THICKNESS OF 90 MILS, MINIMUM SKID RESISTANCE VALUE OF 60 BPN, & A MINIMUM INDEX OF REFRACTION OF 1.50.  
 2.) THE RESIDENT ENGINEER SHALL CONTACT MR. BEN GOMBERG AT 312-744-8093 AT LEAST ONE CALENDAR WEEK PRIOR TO INSTALLING BIKE LANE SYMBOLS.

**TYPICAL BIKE LANE SYMBOLS**  
 DRAWING #28



**NOTE:**  
 ALL MARKINGS SHALL BE SOLID WHITE UNLESS OTHERWISE NOTED IN THE PLANS

FILE NAME =	USER NAME = pte1p2	DESIGNED -	REVISED - T. RAMMACHER 12-07-00
pw:\388039-pwintl.eacom\line.local\PAVE\COM\00\Documents\01 Americas\Transportation\ROAD\DRAWN Circle\Phase 1\11\000 CAD\006 Road\REVISED 60W2K.CAD\011-32-12 Detail-25-27.dgn		CHECKED -	REVISED -
		DATE -	REVISED -

**STATE OF ILLINOIS**  
**DEPARTMENT OF TRANSPORTATION**

<b>CITY OF CHICAGO</b>	
<b>TYPICAL PAVEMENT MARKINGS</b>	
SCALE: NONE	SHEET NO. 26 OF 31 SHEETS
STA.	TO STA.

F.A. RTE.	SECTION	COUNTY	TOTAL SHEETS	SHEET NO.
	2013-007R	COOK	317	258
<b>TC-24</b>		<b>CONTRACT NO.</b>		
FED. ROAD DIST. NO. 1 ILLINOIS FED. AID PROJECT				