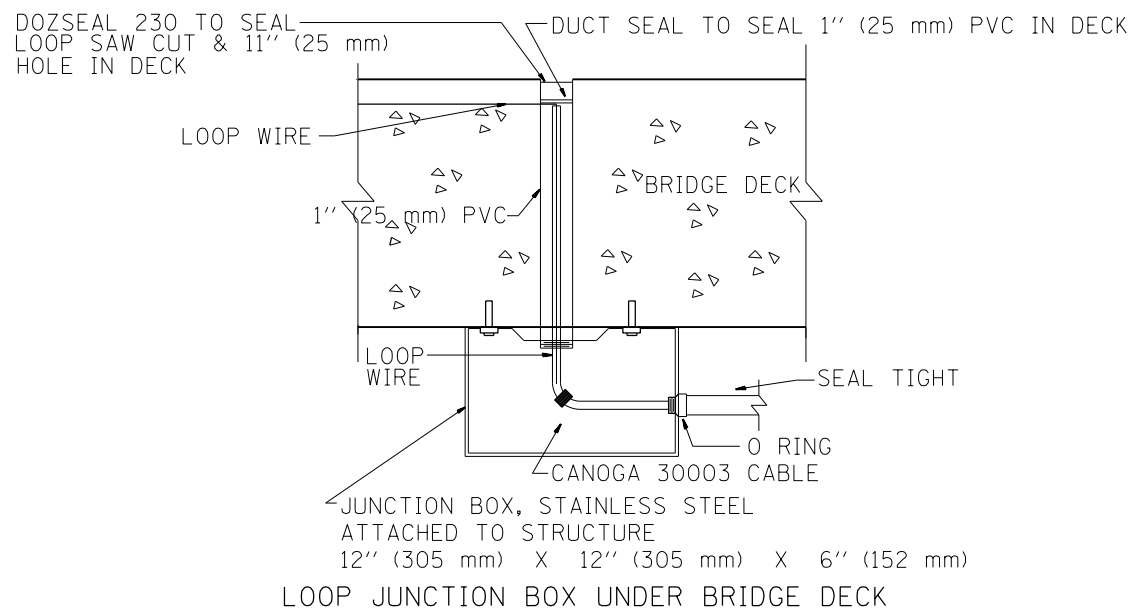
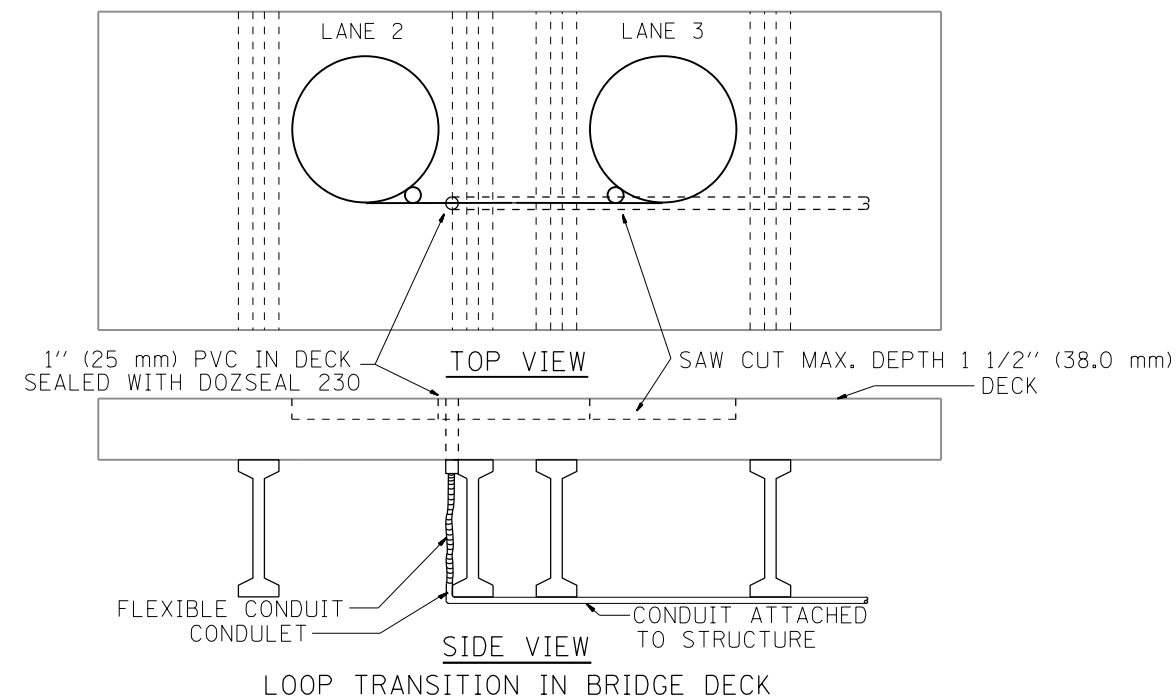


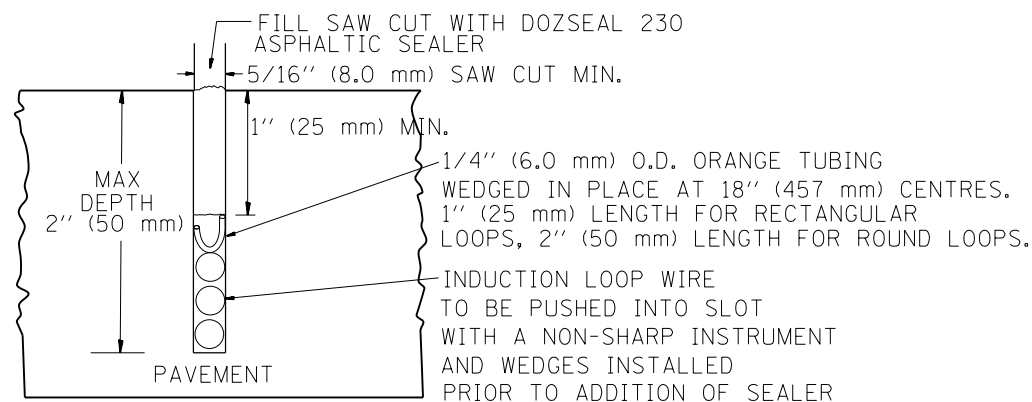
TYPICAL LOOP SAWCUT LAYOUT



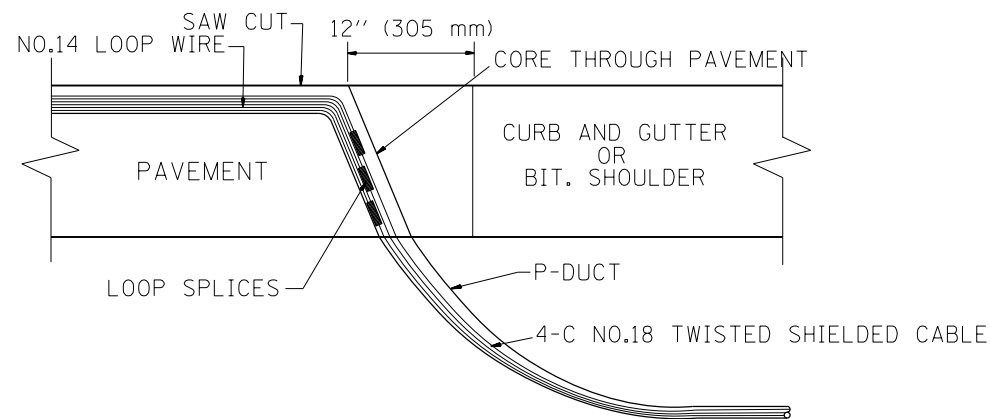
LOOP JUNCTION BOX UNDER BRIDGE DECK



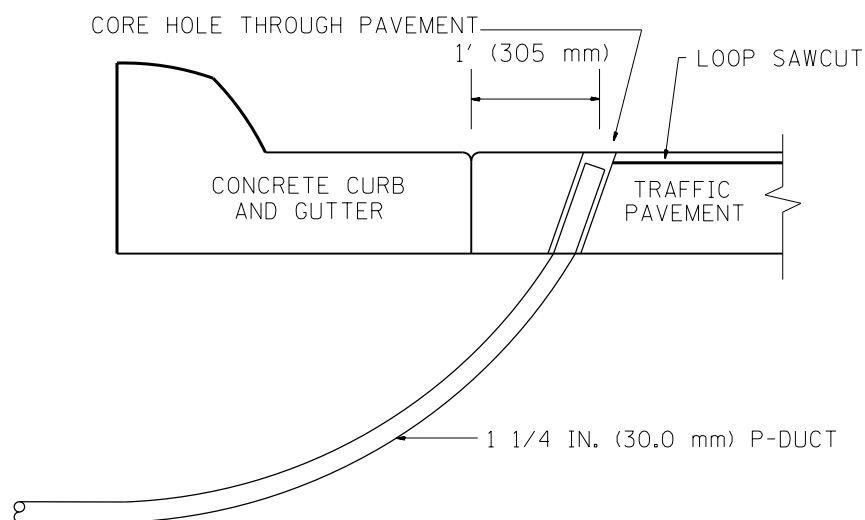
LOOP TRANSITION IN BRIDGE DECK



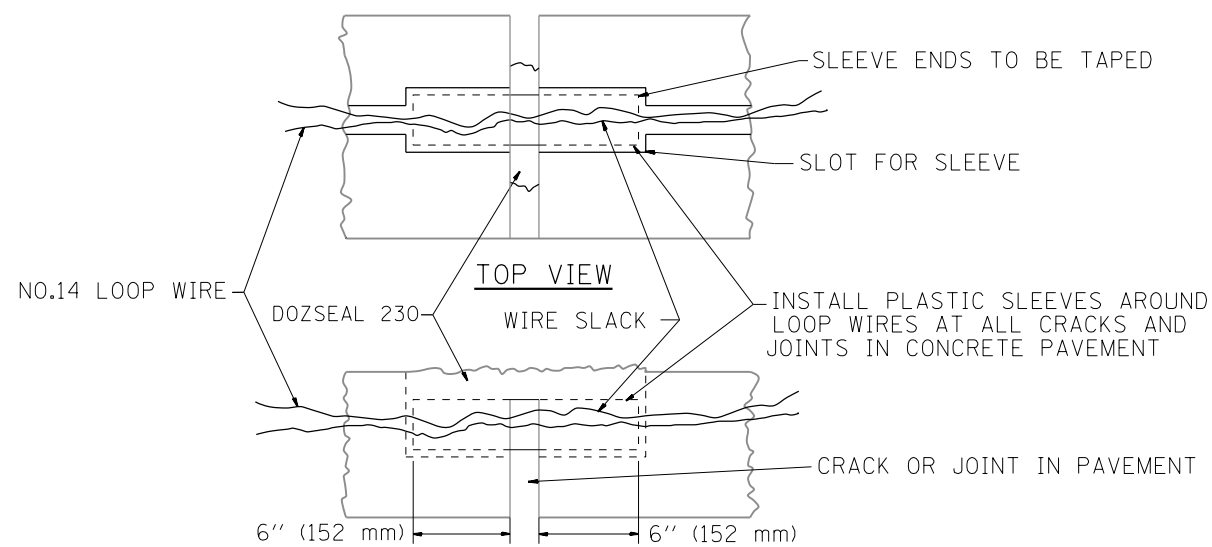
LOOP CROSS SECTION IN PAVEMENT



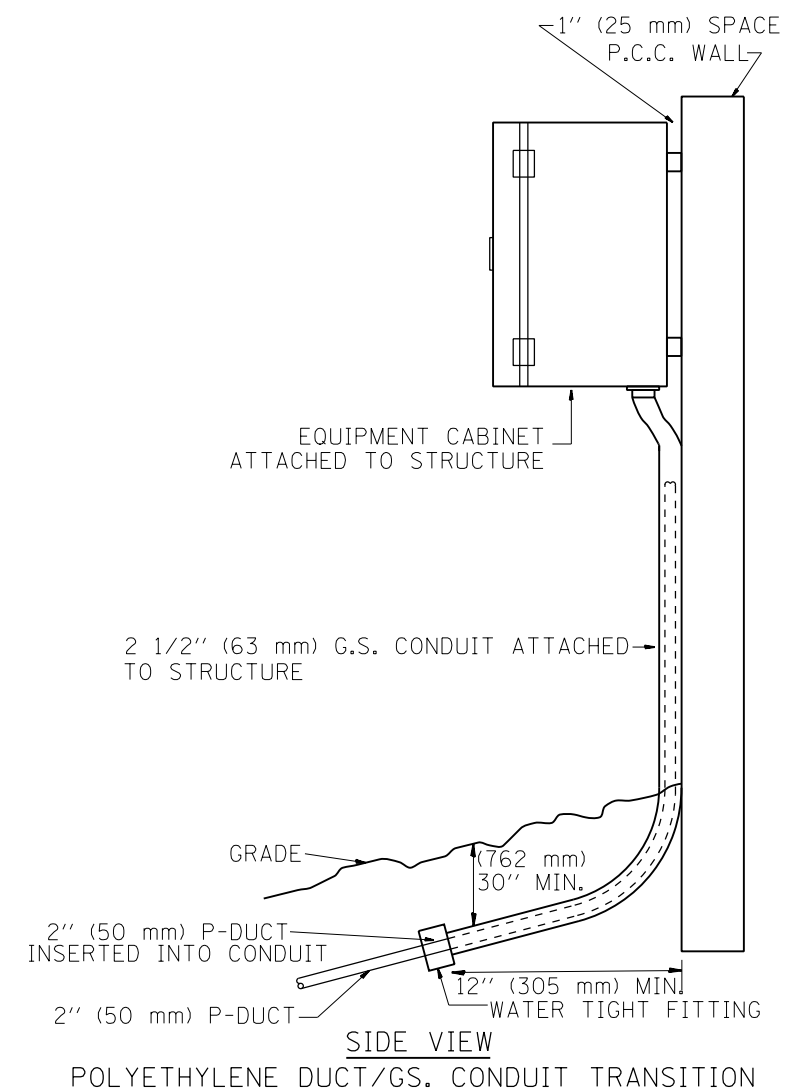
MULTIPLE LOOP SPLICING



SIDE SECTION LOOP LEAD-IN TRANSITION DETAIL



PAVEMENT CRACK TRANSVERSE SLEEVE



POLYETHYLENE DUCT/GS. CONDUIT TRANSITION

FILE PATH = c:\pwworking\aeacom\00\lacher\j\d0204534\0160W25-sh1-ITS-08.dgn

FILE NAME =	USER NAME = lacherj	DESIGNED - R.L.	REVISED - 06/94
c:\pwworking\aeacom\00\lacher\j\d0204534\0160W25-sh1-ITS-08.dgn		DRAWN - G.M.	REVISED - 03/95
	PLOT SCALE = 50.0000 / in.	CHECKED - R.L.	REVISED - 11/95
	PLOT DATE = 5/9/2013	DATE - 06/22/94	REVISED - 10/96

STATE OF ILLINOIS  
DEPARTMENT OF TRANSPORTATION  
TRAFFIC SYSTEMS CENTER

LOOP, CONDUIT & DUCT  
INSTALLATION DETAILS

SCALE: NO SCALE SHEET 4 OF 5 SHEETS STA. TO STA.

F.A.I. R.T.E. 90/94/290	SECTION 2013-007R	COUNTY COOK	TOTAL SHEETS 317	SHEET NO. 265
CONTRACT NO. 60W25			ILLINOIS FED. AID PROJECT	

TRAFFIC SYSTEMS CENTER (TY-1TSC-418#4)