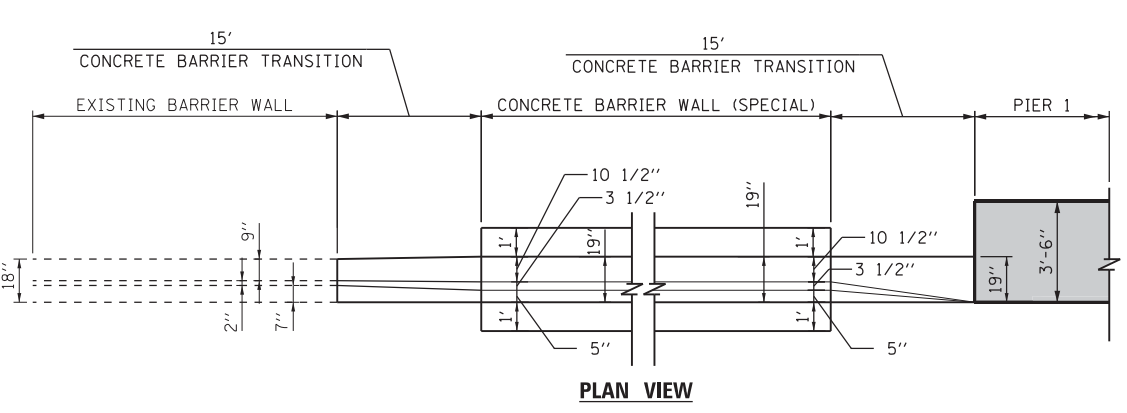


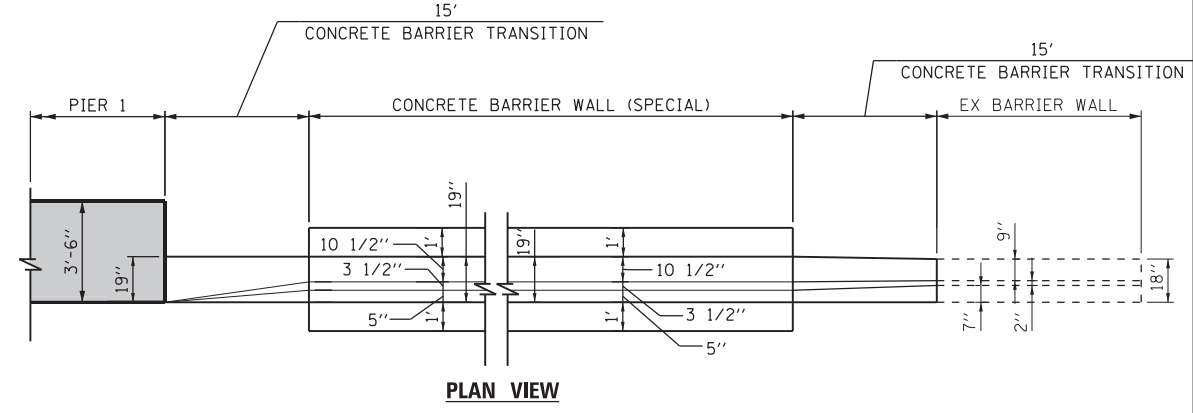
PLAN VIEW
CONCRETE BARRIER WALL (SPECIAL)
TO PROPOSED PIER 1 (SN 016-1709)

NOTES:

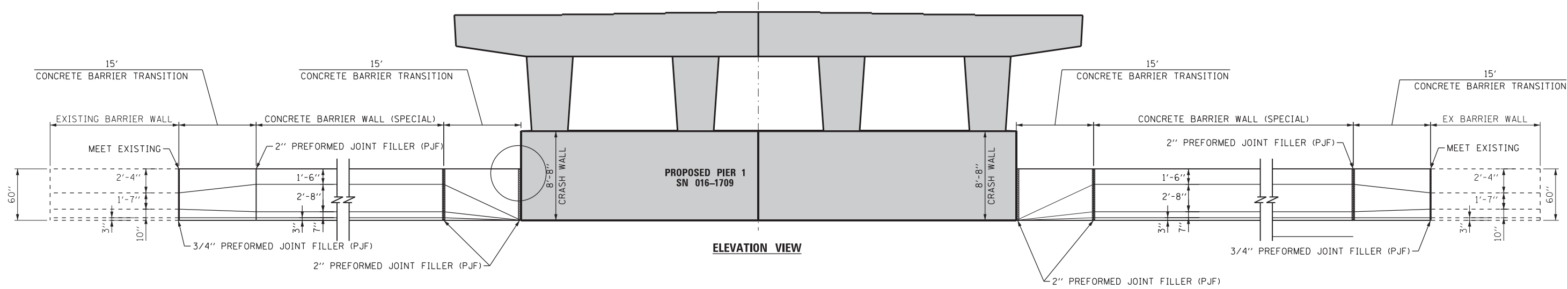
1. EXPANSION JOINTS SHOWN ON THIS DRAWING SHALL BE PREFORMED JOINT MATERIAL (BITUMINOUS TYPE) FILLER SHALL MEET AASHTO DESIGNATION M-33.
2. ALL WORK DETAILED HEREIN SHALL BE INCLUDED IN THE COST OF THE VARIOUS CONCRETE BARRIER PAY ITEMS UNLESS OTHERWISE NOTED.
3. PREFORMED JOINT FILLER SHALL BE INCLUDED IN THE COST OF THE CONCRETE BARRIER TRANSITION.
4. JOINTS SHALL BE CONSTRUCTED AS SHOWN ON THE PLANS AND IN ACCORDANCE WITH ARTICLE 637.08 OF THE STANDARD SPECIFICATIONS
5. TWO VERTICAL EPOXY COATED, NO. 8 TIE BARS, 10" LONG, SHALL BE PLACED AT EQUIDISTANT SPACING ALONG THE CONCRETE BARRIER TRANSITION. TIE BARS SHALL BE INCLUDED IN THE COST OF CONCRETE BARRIER TRANSITION.
6. HORIZONTAL TIE BARS SHALL BE NO. 6 EPOXY COATED, 24" LONG, 24" C-C AND SHALL BE INCLUDED IN THE COST OF THE BARRIER BASE.
7. SEE SHEET ROADWAY DETAILS SHEET 3 OF 9 FOR ADDITIONAL DETAILS



PLAN VIEW



PLAN VIEW



ELEVATION VIEW

FILE PATH = p:\388035\pmt\lecomonline\local\p\AEC\000\Documents\01_Americas\Transportation\60269938_Circle\Phase_1\000_CAD\005_Roadway\Sheets\60W25-Contract\0160W25-sht-Detail-01.dgn



D160W25-sht-Detail-01.dgn
 USER NAME = chluo
 PLOT SCALE = 10.0000 "/>

DESIGNED - JWM/OPS	REVISED -
DRAWN - JWM/OPS	REVISED -
CHECKED - DBM	REVISED -
DATE - 6/17/2013	REVISED -

STATE OF ILLINOIS
DEPARTMENT OF TRANSPORTATION

ROADWAY DETAILS

SCALE: N.T.S. SHEET 1 OF 9 SHEETS STA. TO STA.

F.A.I. RTE. 90/94/290	SECTION 2013-007R	COUNTY COOK	TOTAL SHEETS 317	SHEET NO. 267
CONTRACT NO. 60W25			ILLINOIS FED. AID PROJECT	