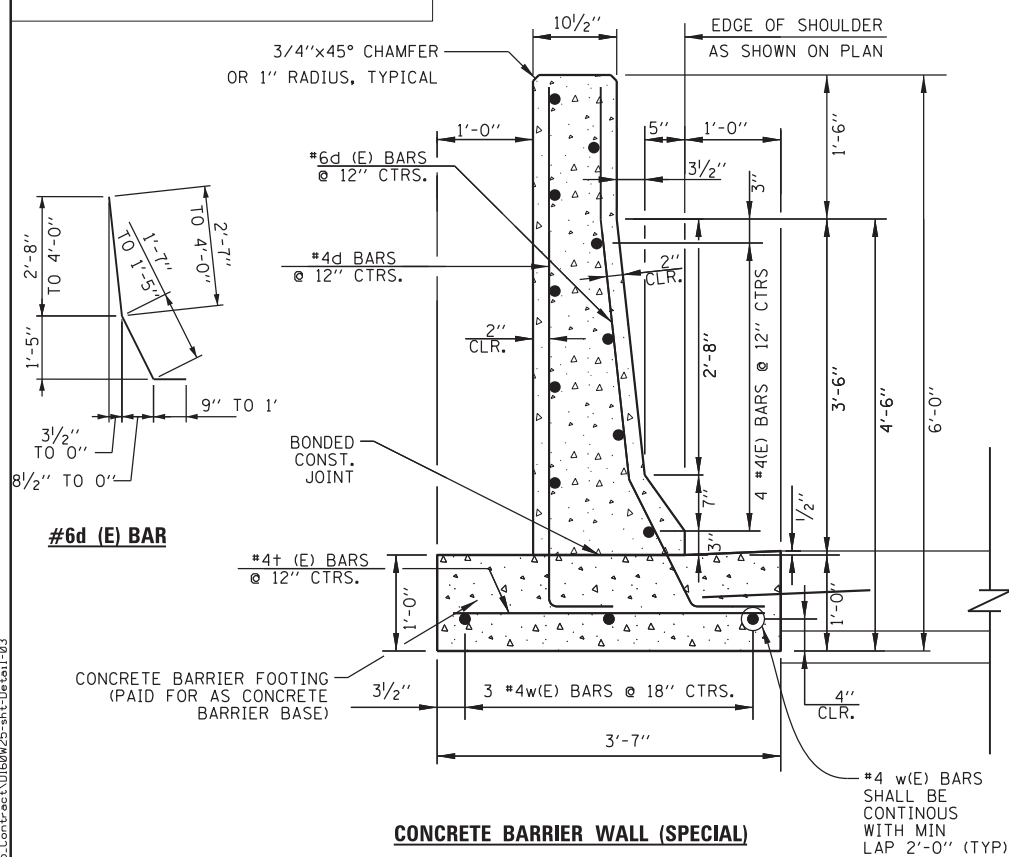
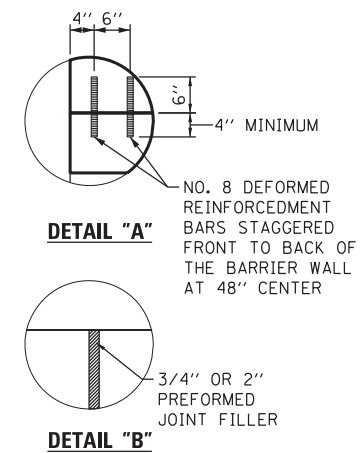
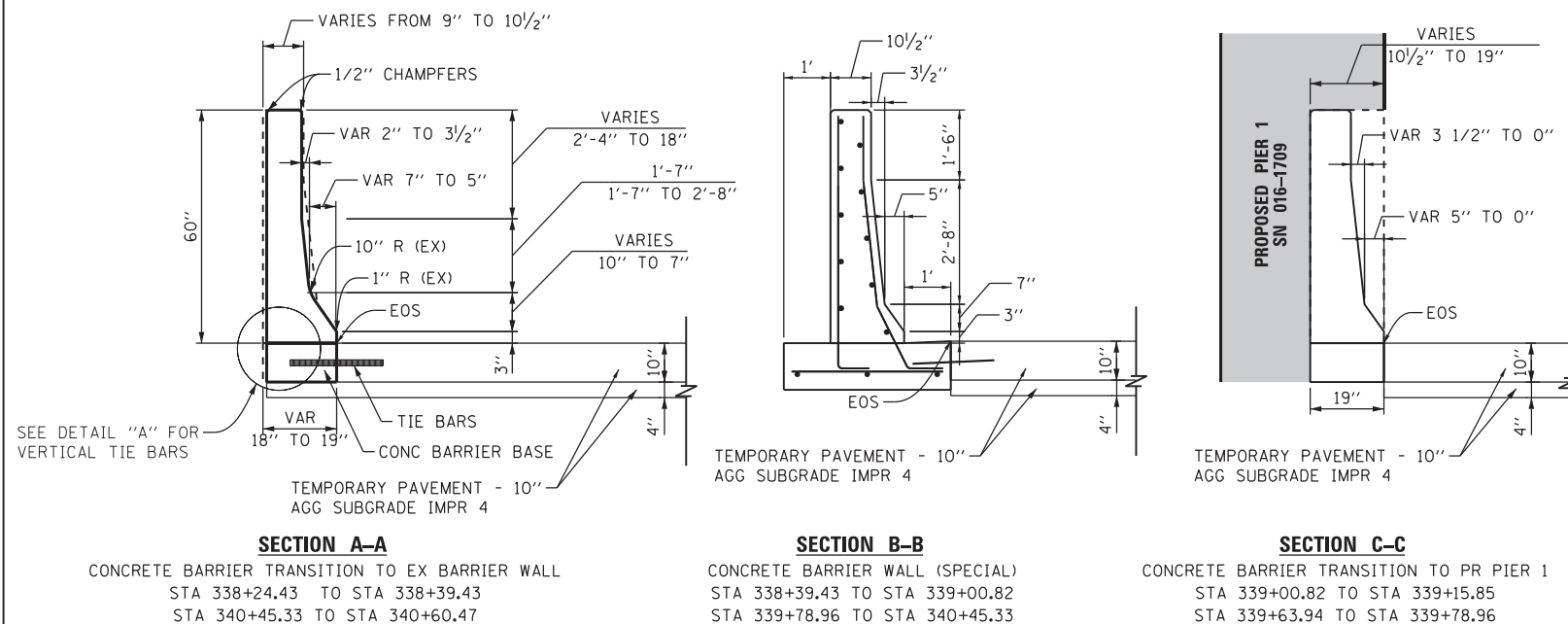


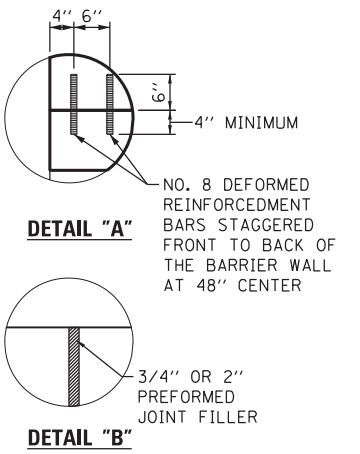
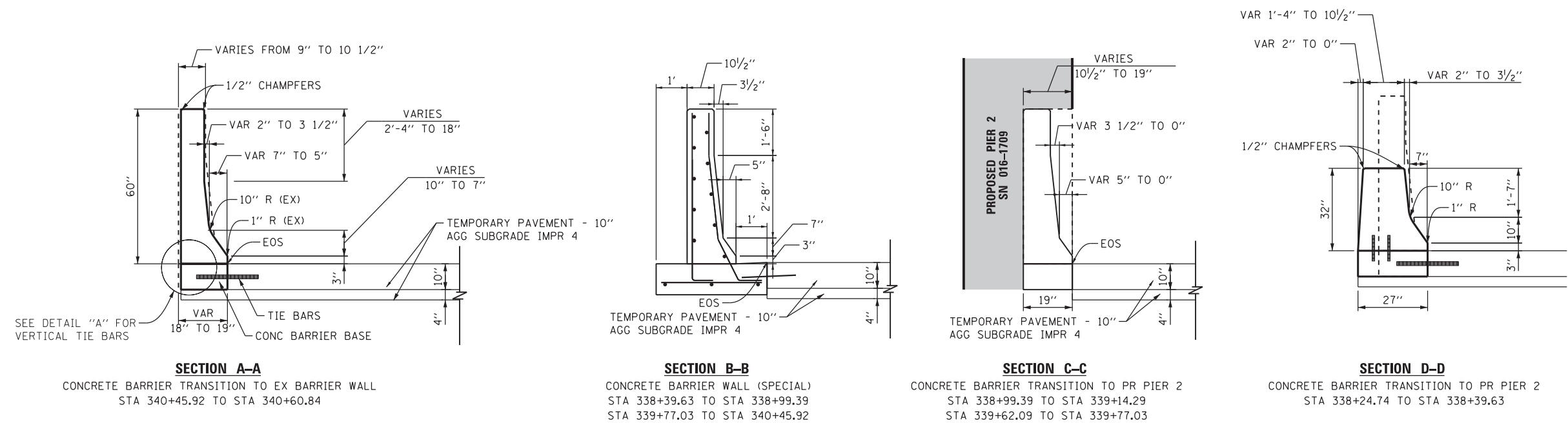
CONCRETE BARRIER WALL (SPECIAL) DETAILS



CONCRETE BARRIER WALL (SPECIAL) AND CONCRETE BARRIER TRANSITION AT PIER 1



CONCRETE BARRIER WALL (SPECIAL) AND CONCRETE BARRIER TRANSITION AT PIER 2



FILE PATH = ...



D160W25-sht-Detail-03
USER NAME = pimserno
PLOT SCALE = 10.0000' / 1"
PLOT DATE = 6/14/2013

DESIGNED - JWM/OPS
DRAWN - JWM/OPS
CHECKED - DBM
DATE - 6/17/2013

REVISED -
REVISED -
REVISED -
REVISED -

STATE OF ILLINOIS
DEPARTMENT OF TRANSPORTATION

ROADWAY DETAILS

SCALE: N.T.S. SHEET 3 OF 9 SHEETS STA. TO STA.

F.A.I. RTE.	SECTION	COUNTY	TOTAL SHEETS	SHEET NO.
90/94/290	2013-007R	COOK	317	269
CONTRACT NO. 60W25				
ILLINOIS FED. AID PROJECT				