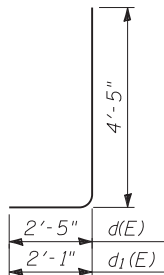
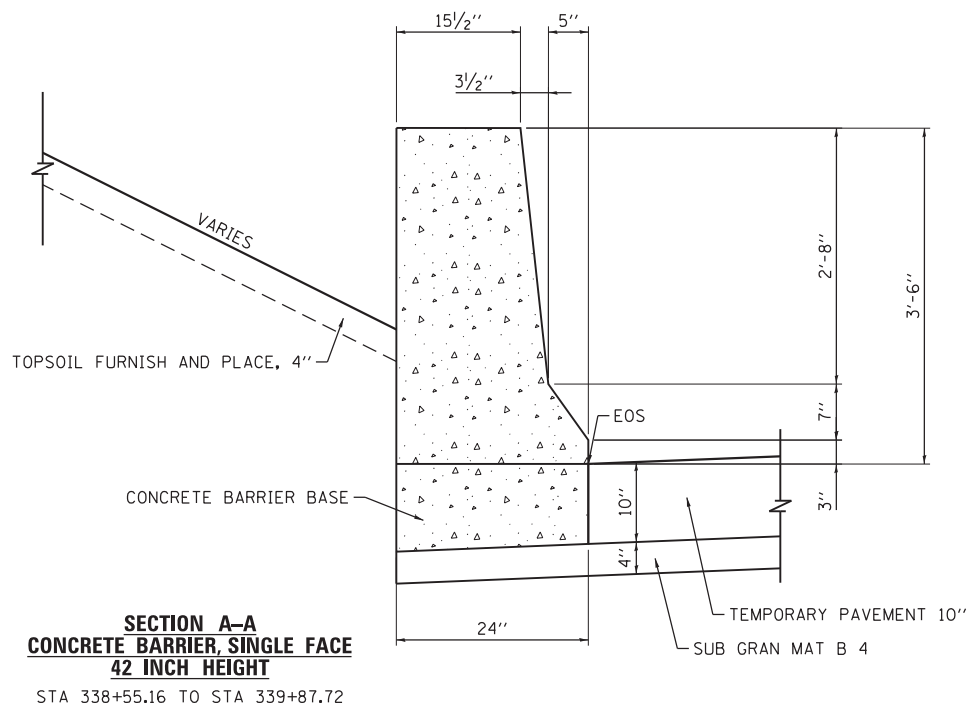


NOTES:

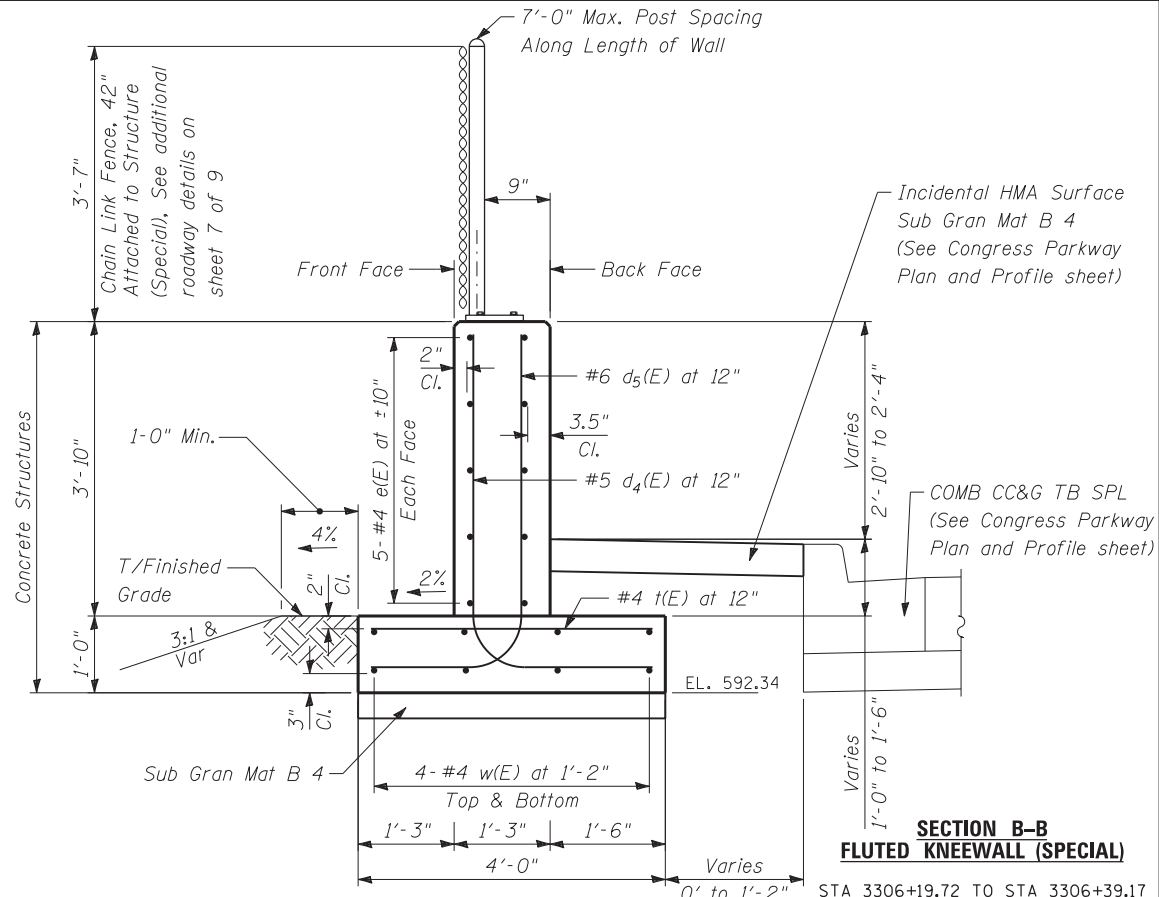
1. PREFORMED JOINT FILLER SHALL BE INCLUDED IN THE COST OF THE VARIOUS CONCRETE BARRIER PAY ITEMS UNLESS OTHERWISE NOTED.
2. JOINTS SHALL BE CONSTRUCTED AS SHOWN ON THE PLANS AND IN ACCORDANCE WITH ARTICLE 637.08 OF THE STANDARD SPECIFICATIONS.



BARS $d_4(E)$ & $d_5(E)$

BILL OF MATERIAL

ITEM	UNIT	TOTAL
CONC STRUCT	CU YD	6.5
PROTECTIVE COAT	SQ YD	20
REINF BARS, EPOXY CTD	POUND	620
CH LK FENCE 42 ATS SP	FOOT	20
SUB GRAN MAT B 4	SQ YD	78



D160W25-sht-Detail-05
 USER NAME = pimsarno
 PLOT SCALE = 10.0000 "/>

DESIGNED - AFC
 DRAWN - AFC
 CHECKED - DBM
 DATE - 6/17/2013

REVISED -
 REVISED -
 REVISED -
 REVISED -

**STATE OF ILLINOIS
 DEPARTMENT OF TRANSPORTATION**

**ROADWAY DETAILS
 CONCRETE BARRIER / FLUTED KNEEWALL (SPECIAL)**

SCALE: 1"=10' SHEET 5 OF 9 SHEETS STA. TO STA.

F.A.I. RTE.	SECTION	COUNTY	TOTAL SHEETS	SHEET NO.
90/94/290	2013-007R	COOK	317	269B
CONTRACT NO. 60W25				

ILLINOIS FED. AID PROJECT

FILE PATH = ... \388035-... \Local\AECOM\00\Documents\01_Americas\Transportation\60269938_Circle\Phase_1\000_CAD\005_Roadway\Sheets\60W25-sht-Detail-05