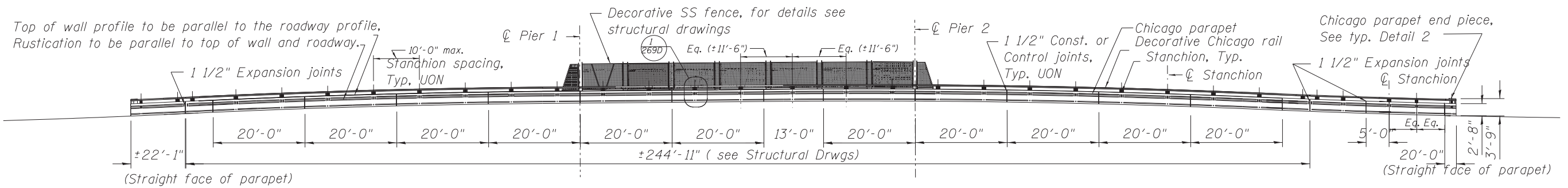
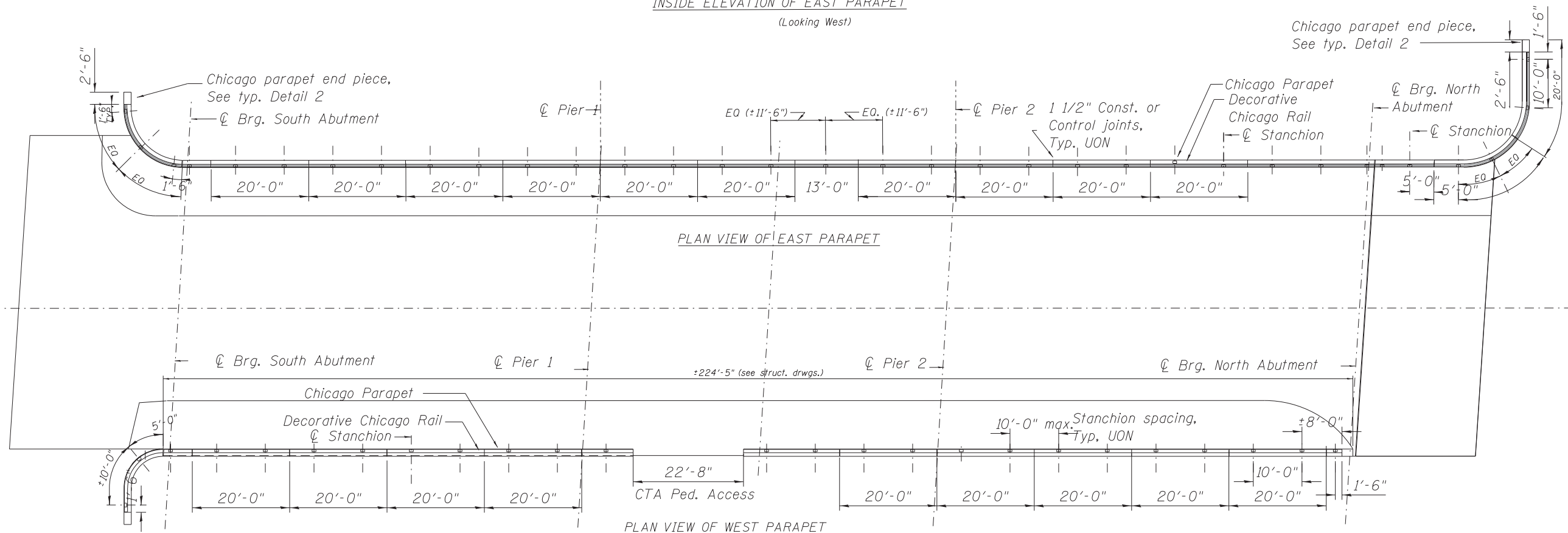


FILE PATH = p:\388035\p\m\l\ecommon\line\local\p\AECD\000\Documents\01\_Americas\Transportation\66269938\_Circle\Phase\_1\1000\_CAD\007\_Landscape-Architectural\Sheets\16160W25-sht\_Parapet\_Detail\_01.dgn

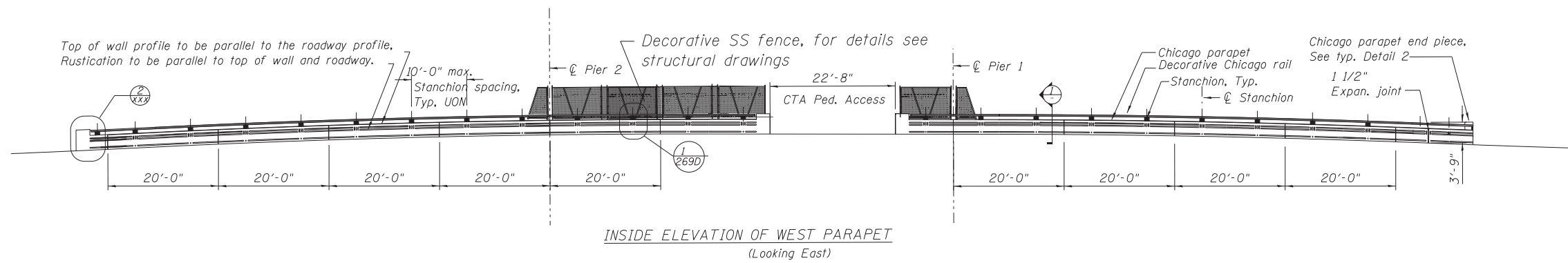


INSIDE ELEVATION OF EAST PARAPET  
(Looking West)



PLAN VIEW OF EAST PARAPET

PLAN VIEW OF WEST PARAPET



INSIDE ELEVATION OF WEST PARAPET  
(Looking East)



D160W25-sht\_Parapet\_Detail\_01.dgn  
 USER NAME = r1stovskem  
 PLOT SCALE = 1:8000 / 1/8" = 1'-0"  
 PLOT DATE = 6/14/2013

DESIGNED - MR  
 DRAWN - MR  
 CHECKED -  
 DATE - 5/21/2013

REVISED -  
 REVISED -  
 REVISED -  
 REVISED -

STATE OF ILLINOIS  
 DEPARTMENT OF TRANSPORTATION

ROADWAY DETAILS  
 BRIDGE PARAPET

SCALE: SHEET 8 OF 9 SHEETS STA. TO STA.

F.A.I. RTE.	SECTION	COUNTY	TOTAL SHEETS	SHEET NO.
90/94/290	2013-007R	COOK	317	269E
CONTRACT NO. 60W25				
ILLINOIS FED. AID PROJECT				