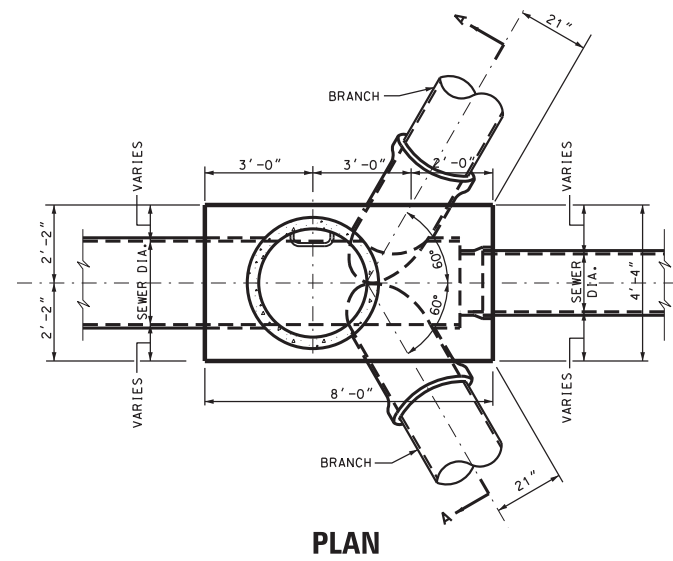
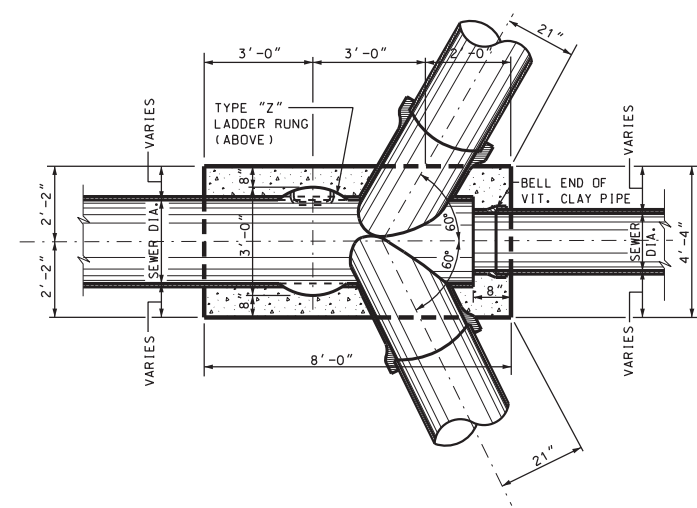


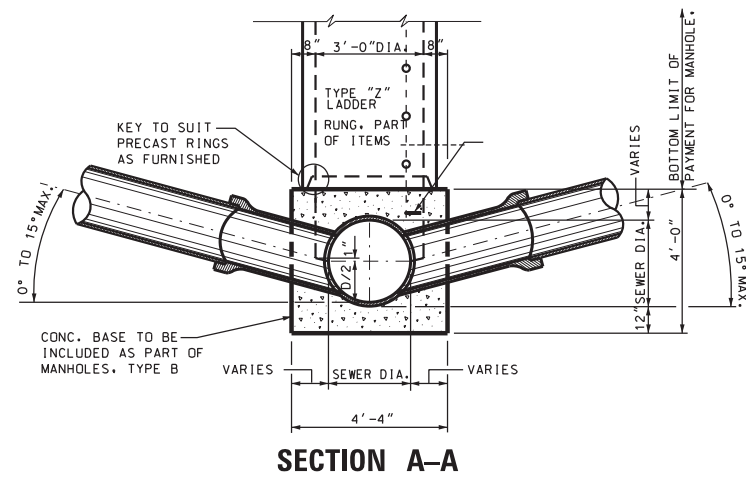
FILE PATH = p:\388035-projects\secomon\me\local\p\AECOM\00\Documents\01\_Americas\Transportation\60269938\_Circle\Phase\_1\000\_CAD\006\_Roadway\_Sheets\60W25\_sht-Drain-Detail-03



PLAN

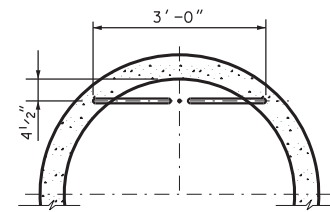


SECTIONAL PLAN

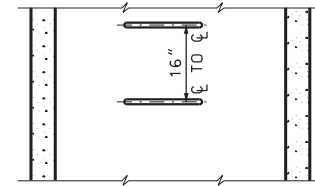


SECTION A-A

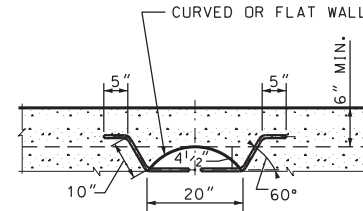
TYPE "B" MANHOLE  
FOR SEWERS 24" DIA. & SMALLER



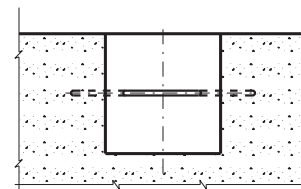
PLAN



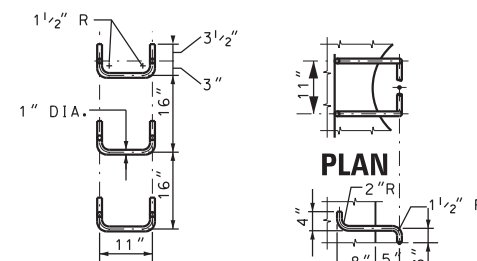
ELEVATION  
TYPE X



PLAN



ELEVATION  
TYPE Y

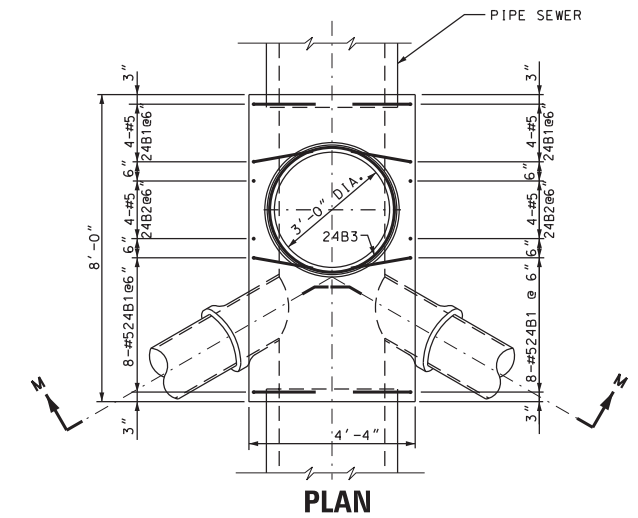


SPACING

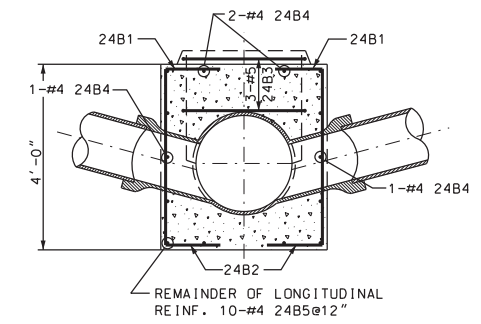
ELEVATION

HANDHOLD-TYPE Z RUNG

STANDARD LADDER RUNGS



PLAN



SECTION M-M

REINFORCEMENT FOR TYPE "B" MANHOLE BASES  
FOR SEWERS 24" DIA & SMALLER



D160W25-sht-Drain-Detail-03  
USER NAME = pimserno  
PLOT SCALE = 1:8000 / 1/8" = 1'-0"  
PLOT DATE = 6/14/2013

DESIGNED -  
DRAWN - AFC  
CHECKED - EY  
DATE - 6/17/2013

REVISED -  
REVISED -  
REVISED -  
REVISED -

STATE OF ILLINOIS  
DEPARTMENT OF TRANSPORTATION

DRAINAGE DETAILS  
CITY OF CHICAGO, TYPE "B" MANHOLES

SCALE: NTS SHEET 1 OF 1 SHEETS STA. TO STA.

F.A.I. RTE. 90/94/290	SECTION 2013-007R	COUNTY COOK	TOTAL SHEETS 317	SHEET NO. 272
CONTRACT NO. 60W25			ILLINOIS FED. AID PROJECT	