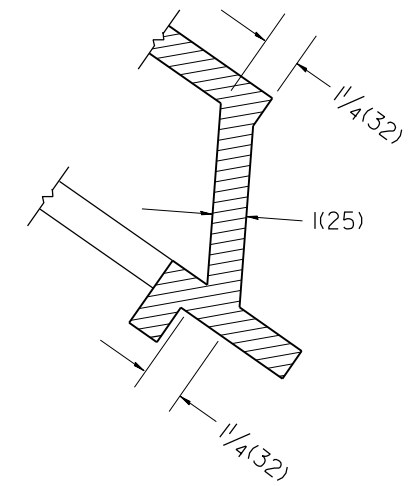
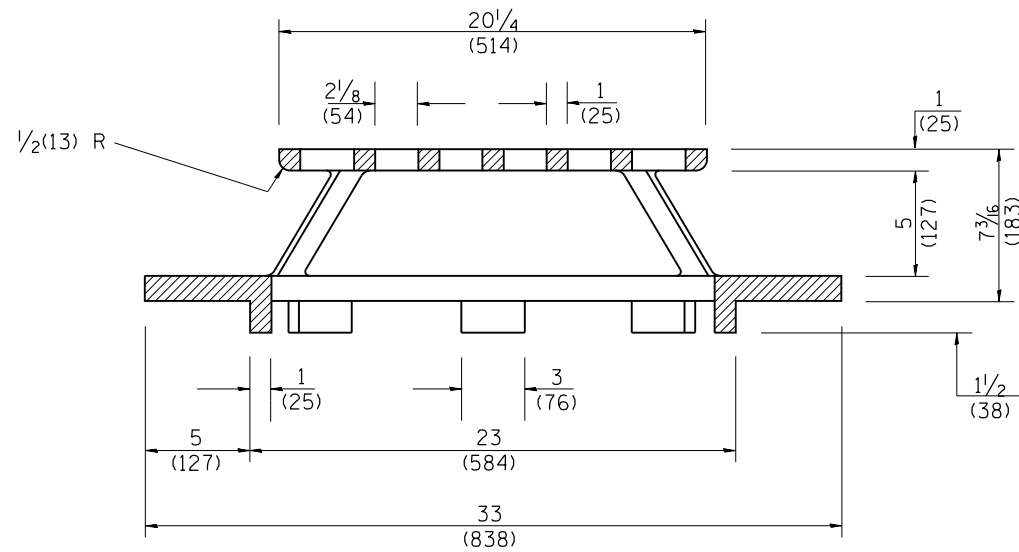


PLAN



SECTION B - B



SECTION A - A

GENERAL NOTES

1. MATERIAL - Cast Gray Iron
Weight 209 lbs (95 kg)

All dimensions are in inches (millimeters) unless otherwise noted.

01-01-97	RENUM. B-10.02, NEW REVISION BOX	T.P.																	
10-16-06	REVISED TO 2007 SPEC.	M.A.																	
STATE OF ILLINOIS DEPARTMENT OF TRANSPORTATION										TYPE 37 GRATE		F.A. RTE. FAS 2402	SECTION (110,111,112,113)RS-3;	COUNTY	TOTAL SHEETS	SHEET NO.			
										NOT TO SCALE		U.S. 150	114RS-4;112C-2	PEORIA	76	65			
										CADD STD. 604301-D4		FED AID PROJECT		CONTRACT NO. 68614					