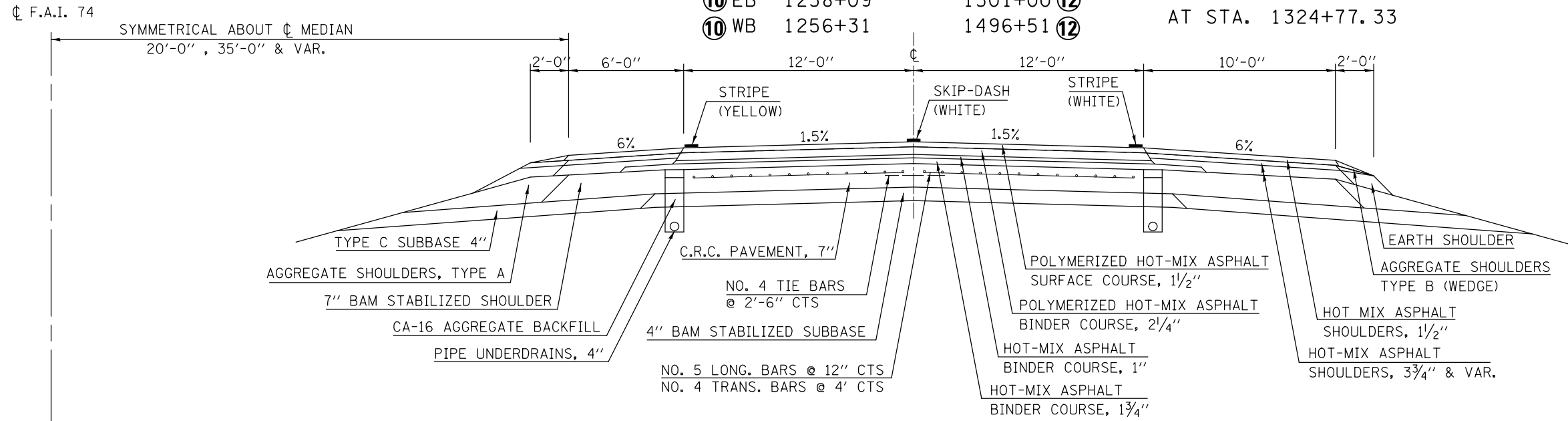


EXISTING TYPICAL SECTION 11

F.A.I. 74

	STATION	TO	STATION
10 EB	1258+09		1501+00 12
10 WB	1256+31		1496+51 12

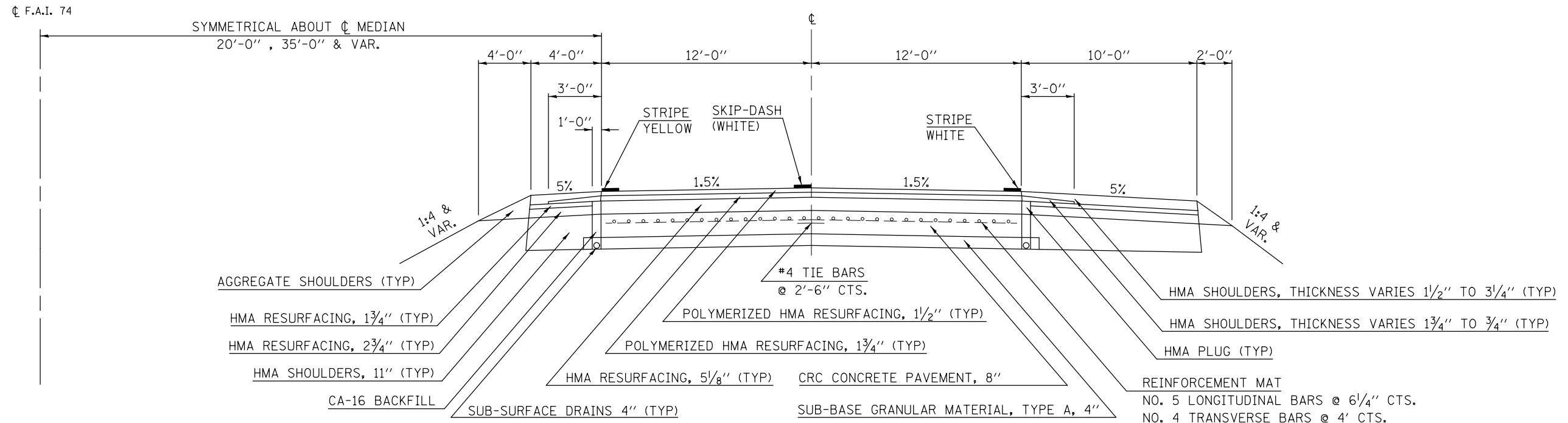
PIATT & CHAMPAIGN CO. LINE
AT STA. 1324+77.33



EXISTING TYPICAL SECTION 12

F.A.I. 74

	STATION	TO	STATION
11 EB	1501+00.00		1870+95.89
11 WB	1496+51.00		1870+95.89



FILE NAME =	USER NAME = carrollrt	DESIGNED -	REVISED -	STATE OF ILLINOIS DEPARTMENT OF TRANSPORTATION	TYPICAL CROSS SECTIONS			F.A.I. RTE.	SECTION	COUNTY	TOTAL SHEETS	SHEET NO.
ei:\pw\work\p\d0345428\0570A35-sh1-typicals.dgn	PLOT SCALE = 40.0000' / in.	DRAWN -	REVISED -					74&57	D5 PATCHING 2014-2	VARIOUS	25	15
*MODELNAME#	PLOT DATE = 5/23/2013	CHECKED -	REVISED -		SCALE:	SHEET 6	OF 10 SHEETS	STA.	TO STA.	CONTRACT NO. 70A35		
		DATE -	REVISED -		ILLINOIS FED. AID PROJECT							