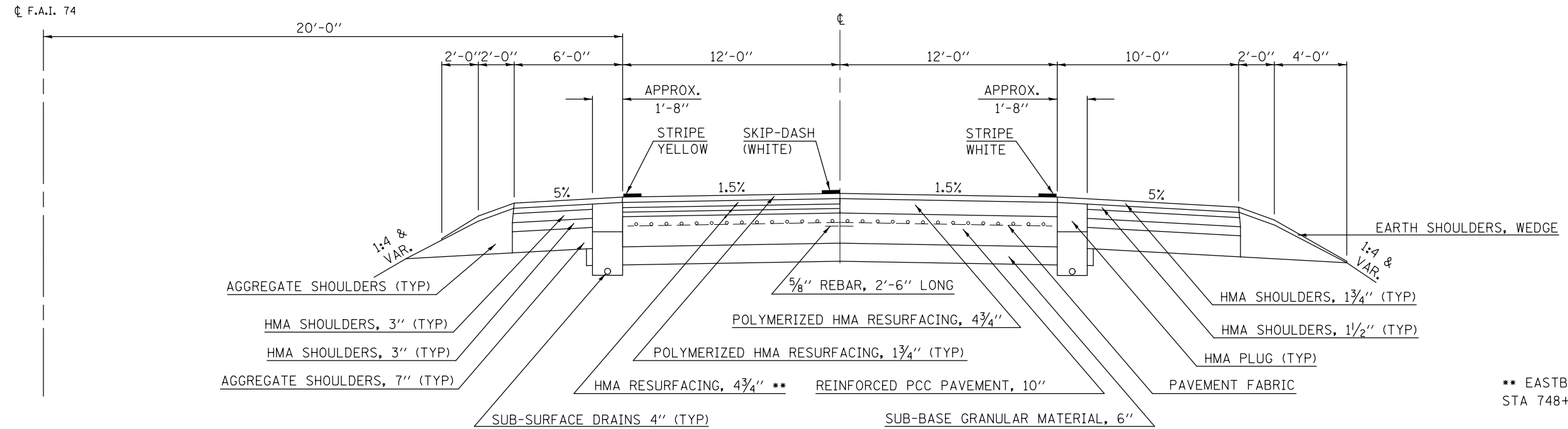


LOCATION MAP #3

EXISTING TYPICAL SECTION 13

F.A.I. 74

STATION IO STATION
429+00.00 880+00.00 14



** EASTBOUND LANES - STA 730+0 TO STA 748+00 HMA RESURFACING = 6"±

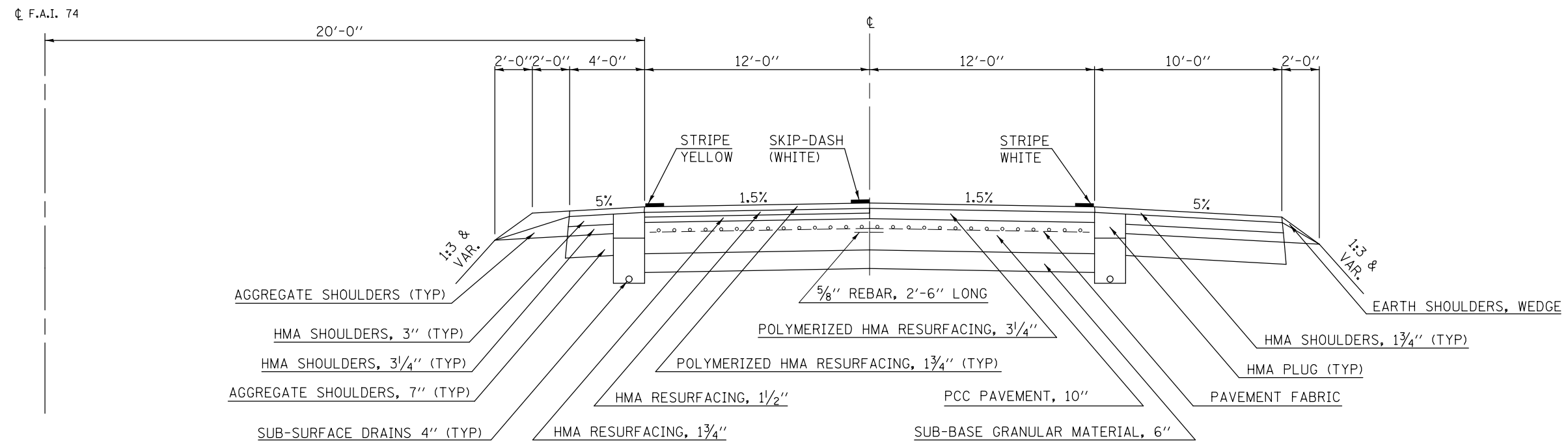
LOCATION MAPS #3 & #4

EXISTING TYPICAL SECTION 14

F.A.I. 74

STATION IO STATION
13 880+00.00 1616+00.00 15

CHAMPAIGN AND VERMILION COUNTY
LINE AT STA 1053+06.00



FILE NAME =	USER NAME = carrollrt	DESIGNED -	REVISED -
ei:\pwork\pwork\carrollrt\d0345428\0570A35-sh-typical.dgn		DRAWN -	REVISED -
		CHECKED -	REVISED -
		DATE -	REVISED -

STATE OF ILLINOIS
DEPARTMENT OF TRANSPORTATION

TYPICAL CROSS SECTIONS

SCALE: SHEET 7 OF 10 SHEETS STA. TO STA.

F.A.I. RTE.	SECTION	COUNTY	TOTAL SHEETS	SHEET NO.
74&57	D5 PATCHING 2014-2	VARIOUS	25	16
CONTRACT NO. 70A35				
ILLINOIS FED. AID PROJECT				