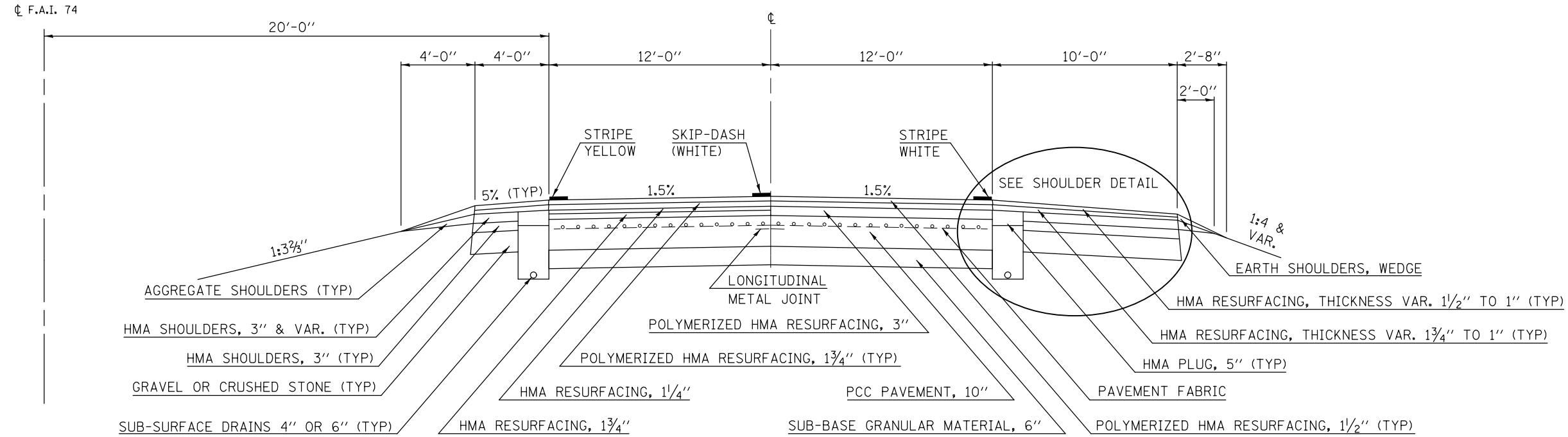


LOCATION MAP #4

EXISTING TYPICAL SECTION 15

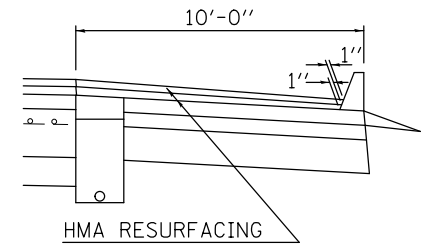
F.A.I. 74

STATION TO STATION
 14 1616+00.00 1720+00.00 16



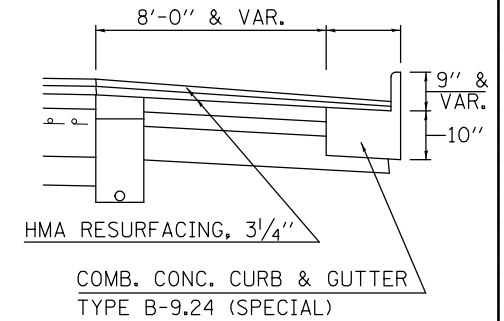
SHOULDER DETAIL

LT. 1618+87.00 TO LT. 1627+88.22
 RT. 1624+65.29 TO RT. 1627+88.22



SHOULDER DETAIL

LT. 1631.89.30 TO LT. 1647+92.36 (WB)
 RT. 1631+89.63 TO RT. 1647+36.45 (EB)

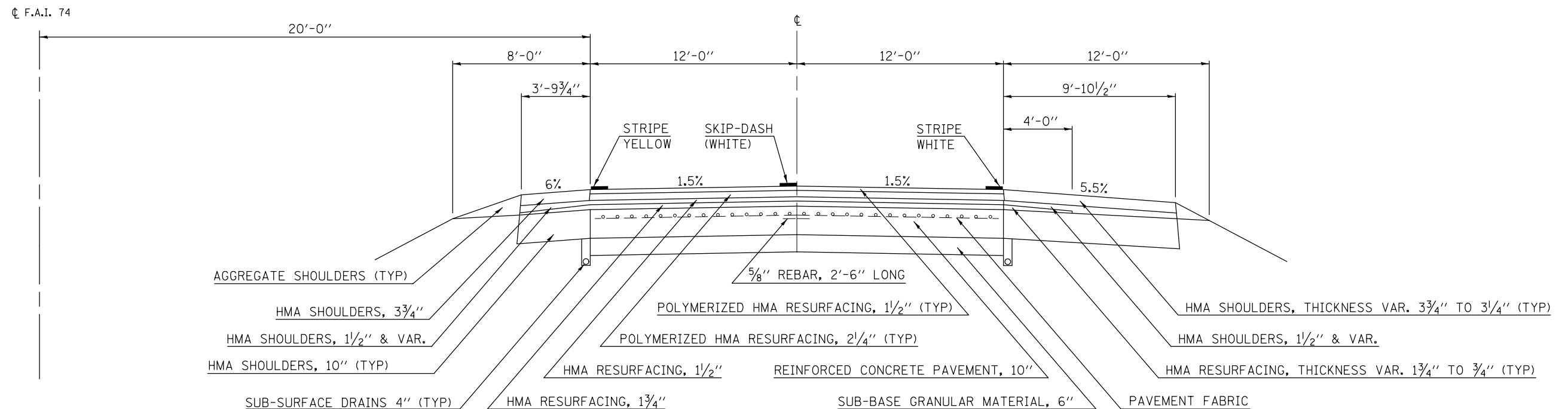


LOCATION MAP #4

EXISTING TYPICAL SECTION 16

F.A.I. 74

STATION TO STATION
 15 1720+00.00 1908+00.00 17



FILE NAME =	USER NAME = carrollrt	DESIGNED -	REVISED -	STATE OF ILLINOIS DEPARTMENT OF TRANSPORTATION	TYPICAL CROSS SECTIONS			F.A.I. RTE.	SECTION	COUNTY	TOTAL SHEETS	SHEET NO.
ei:\pw_work\p\d0345428\0570A35-sh-typicals.dgn	PLOT SCALE = 40.0000' / in.	DRAWN -	REVISED -					74&57	D5 PATCHING 2014-2	VARIOUS	25	17
*MODELNAME#	PLOT DATE = 5/23/2013	CHECKED -	REVISED -		SCALE:	SHEET 8	OF 10 SHEETS	STA.	TO STA.	CONTRACT NO. 70A35		
		DATE -	REVISED -							ILLINOIS FED. AID PROJECT		