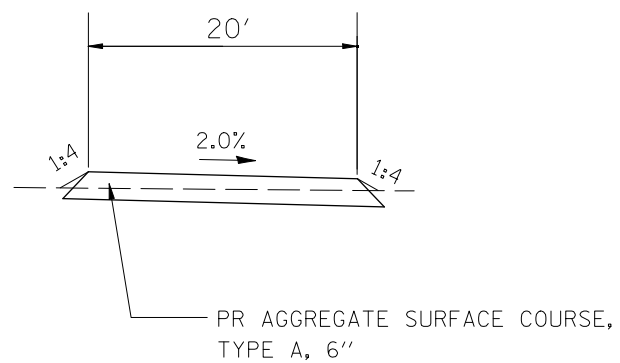
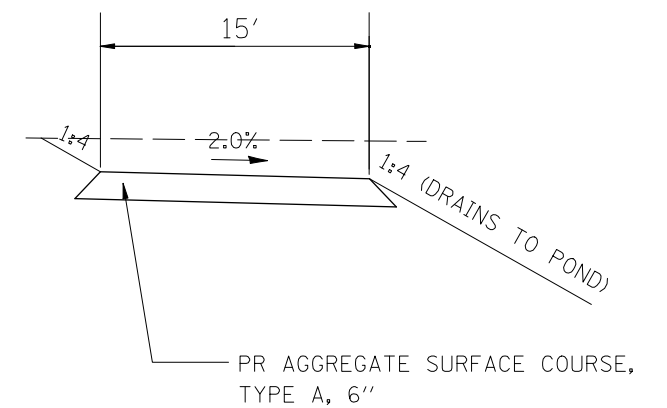


POND PARKING LOT ENTRANCE



SHARED USE PATH

ADJACENT TO PARKING LOT (FACING NORTH)



SHARED USE PATH

ADJACENT TO POND

LAST SAVED = 5/23/2013
 PEN TABLE = 1/8" (1/4")
 PLOT DRIVER = TR-18pdf-Block-Half.plt

FILE NAME =	USER NAME = jepettibone	DESIGNED -	REVISED -
1:\06103\cad\1\plans\004.D672789-Sht-Typical.dgn		DRAWN -	REVISED -
PLOT SCALE = 20.0000' / IN.		CHECKED -	REVISED -
PLOT DATE = 5/23/2013 10:39:34 AM		DATE -	REVISED -

STATE OF ILLINOIS
 DEPARTMENT OF TRANSPORTATION

TYPICAL SECTIONS

SCALE: NONE SHEET NO. 10 OF 10 SHEETS STA. TO STA.

F.A.U. RTE.	SECTION	COUNTY	TOTAL SHEETS	SHEET NO.
7706	23(B-1)	LOGAN	179	23
BUS. LOOP 55 OVER SALT CREEK		CONTRACT NO. 72789		
FED. ROAD DIST. NO.		ILLINOIS FED. AID PROJECT		