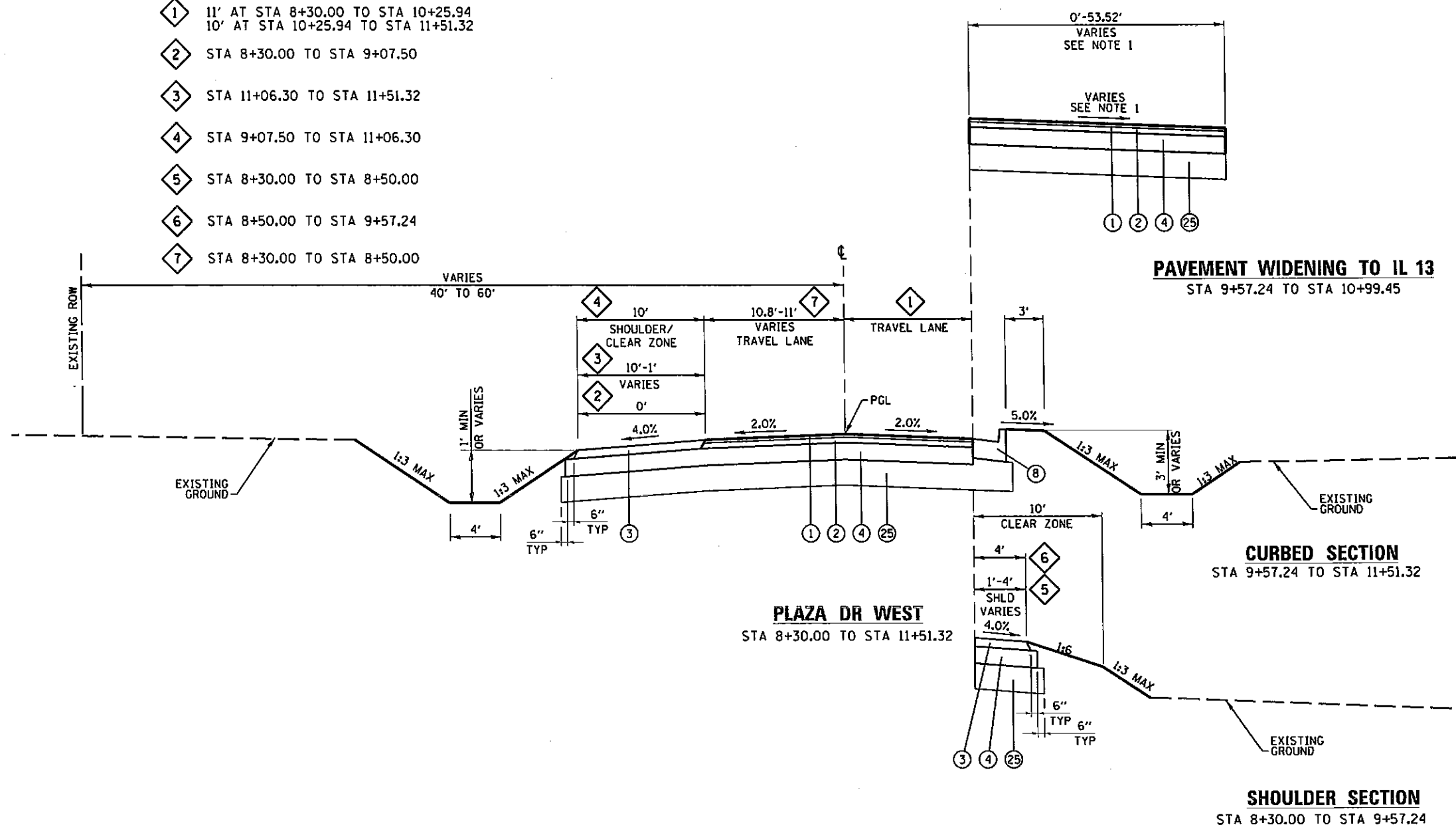
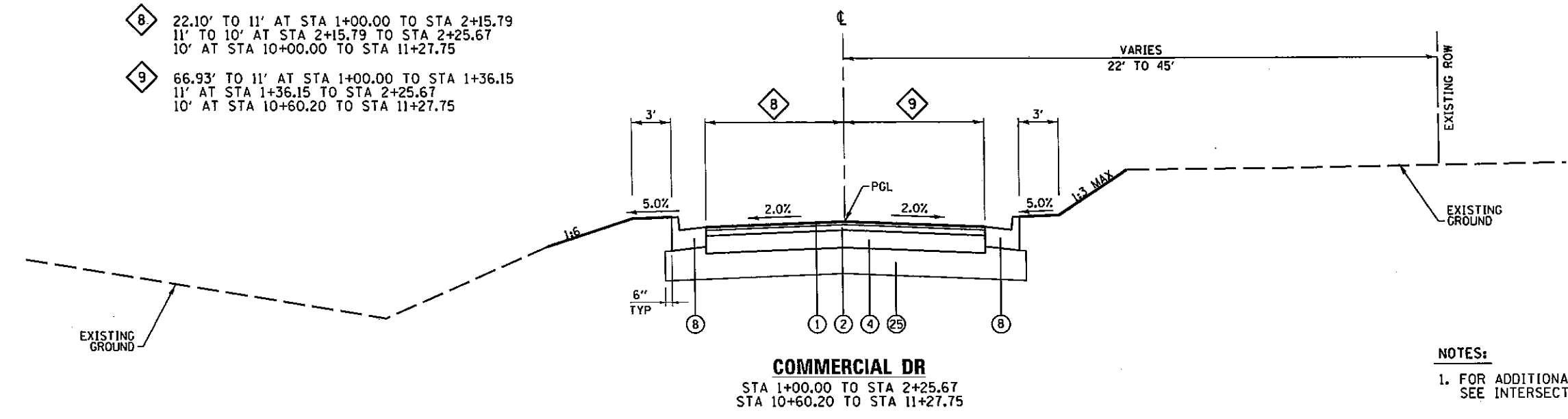


- ① 11' AT STA 8+30.00 TO STA 10+25.94
10' AT STA 10+25.94 TO STA 11+51.32
- ② STA 8+30.00 TO STA 9+07.50
- ③ STA 11+06.30 TO STA 11+51.32
- ④ STA 9+07.50 TO STA 11+06.30
- ⑤ STA 8+30.00 TO STA 8+50.00
- ⑥ STA 8+50.00 TO STA 9+57.24
- ⑦ STA 8+30.00 TO STA 8+50.00



LEGEND	
(A)	EXISTING HMA PAVEMENT
(B)	PAVED SHOULDER REMOVAL
(C)	EXISTING HMA PAVEMENT TO BE MILLED
(1)	HOT-MIX ASPHALT SURFACE COURSE, MIX C, N90, 1 1/2"
(2)	HOT-MIX ASPHALT BINDER COURSE, IL-19.0, N90, 2 1/2"
(3)	HOT-MIX ASPHALT SHOULDERS, 4"
(4)	AGGREGATE BASE COURSE, TYPE A 8"
(5)	HOT-MIX ASPHALT SHOULDERS, 15 1/4"
(6)	PIPE UNDERDRAINS, 4"
(7)	PROCESSING LIME STABILIZED SOIL MIXTURE 12"
(8)	COMBINATION CONCRETE CURB AND GUTTER, TYPE B-6.24
(9)	PORTLAND CEMENT CONCRETE SIDEWALK 6 INCH
(10)	CONCRETE GUTTER, TYPE A (SPECIAL)
(11)	NOT USED
(12)	HOT-MIX ASPHALT SURFACE COURSE, MIX D, N90, 2 1/2"
(13)	PORTLAND CEMENT CONCRETE SIDEWALK 4 INCH
(14)	CONCRETE GUTTER, TYPE A
(15)	AGGREGATE SHOULDERS, TYPE A 4"
(16)	CONCRETE MEDIAN SURFACE, 4 INCH
(17)	PORTLAND CEMENT CONCRETE PAVEMENT 9 1/2" (JOINTED)
(19)	STEEL PLATE BEAM GUARDRAIL, TYPE A, 6 FOOT POSTS
(20)	HOT-MIX ASPHALT PAVEMENT (FULL DEPTH), 15 1/4"
(21)	SUBBASE GRANULAR MATERIAL, TYPE A 8"
(22)	HOT-MIX ASPHALT PAVEMENT (FULL DEPTH), 10 3/4"
(23)	COMBINATION CONCRETE CURB AND GUTTER, TYPE B-6.12
(24)	CONCRETE MEDIAN, TYPE SM-6.24
(25)	SUBBASE GRANULAR MATERIAL, TYPE A 12"
(26)	COMBINATION CONCRETE CURB AND GUTTER, TYPE M-4.24

- ⑧ 22.10' TO 11' AT STA 1+00.00 TO STA 2+15.79
11' TO 10' AT STA 2+15.79 TO STA 2+25.67
10' AT STA 10+00.00 TO STA 11+27.75
- ⑨ 66.93' TO 11' AT STA 1+00.00 TO STA 1+36.15
11' AT STA 1+36.15 TO STA 2+25.67
10' AT STA 10+60.20 TO STA 11+27.75



NOTES:
1. FOR ADDITIONAL INFORMATION ON PAVEMENT WIDENING TO IL 13, SEE INTERSECTION DETAIL DRAWING ID-02.

FILE NAME =	USER NAME = moesbl	DESIGNED - KN	REVISED -	STATE OF ILLINOIS DEPARTMENT OF TRANSPORTATION	PROPOSED TYPICAL SECTIONS COMMERCIAL DR, PLAZA DR WEST		F.A.P. RTE. 331	SECTION 11-41R-2, N-4, TS-4	COUNTY WILLIAMSON	TOTAL SHEETS 381	SHEET NO. 31
CH2MHILL	258-shc-typ001-10.dgn	DRAWN - AS	REVISED -		SCALE: NA	SHEET NO. 10 OF 21 SHEETS	STA. TO STA.	DRAWING NO. TS-10	CONTRACT NO. 78258	ILLINOIS FED. AID PROJECT	
	PLOT SCALE = 1/8" = 1'-0"	CHECKED -	REVISED -								
	PLOT DATE = 6/26/2013	DATE -	REVISED -								