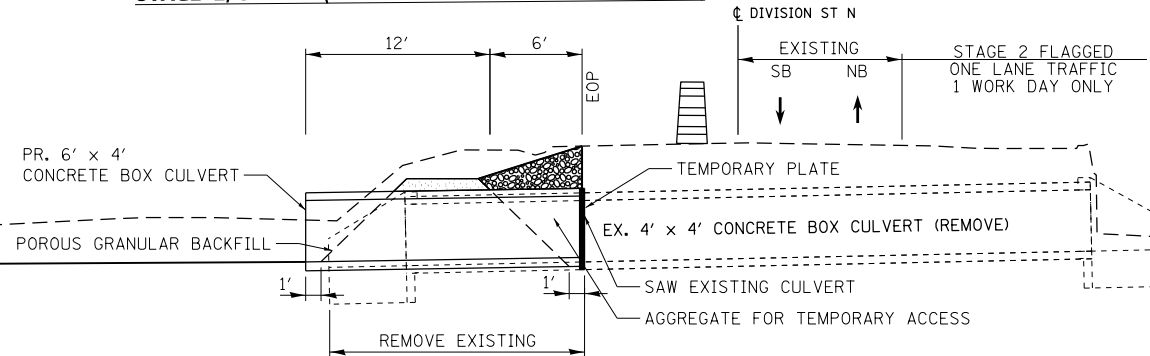
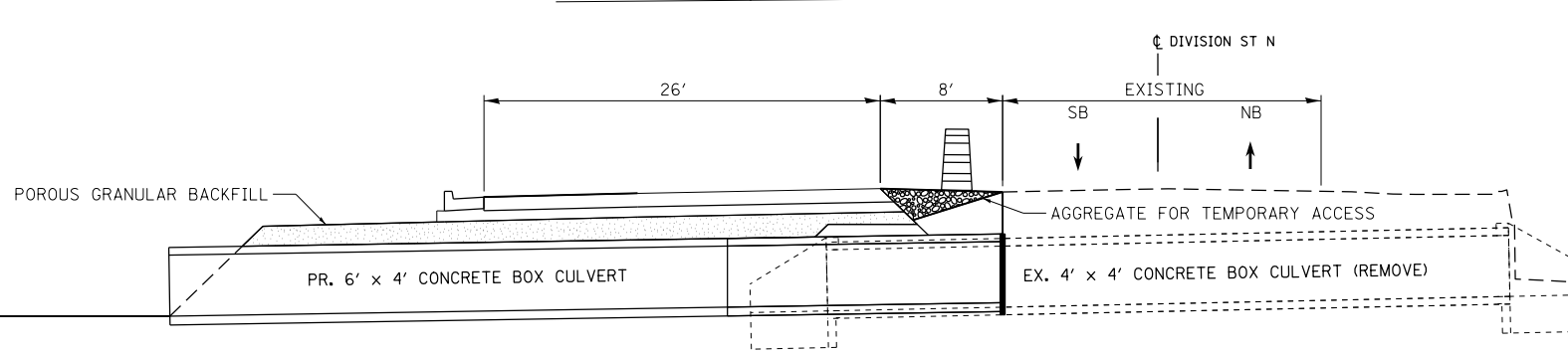


**STAGE 2, STEP 1 (6'x4' BOX CULVERT CONSTRUCTION)**



**STAGE 2, STEP 2 (6'x4' BOX CULVERT CONSTRUCTION)**



FILE NAME = D978258-sht-staging-10.dgn  
**CH2MHILL**

USER NAME = mfox	DESIGNED - KN	REVISED -
PLOT SCALE = 100.0000' / in.	DRAWN - AS	REVISED -
PLOT DATE = 3/11/2013	CHECKED -	REVISED -
	DATE -	REVISED -

**STATE OF ILLINOIS  
DEPARTMENT OF TRANSPORTATION**

**SUGGESTED STAGES OF CONSTRUCTION AND TRAFFIC CONTROL  
DIVISION STREET NORTH - STAGE 2**

SCALE: SHEET NO. 10 OF 13 SHEETS STA. 3+00.00 TO STA. 20+00.00

F.A.P. RTE.	SECTION	COUNTY	TOTAL SHEETS	SHEET NO.
331	(1-4)R-2, N-4, TS-4	WILLIAMSON	381	138
DRAWING NO. TC-10			CONTRACT NO. 78258	
ILLINOIS FED. AID PROJECT				