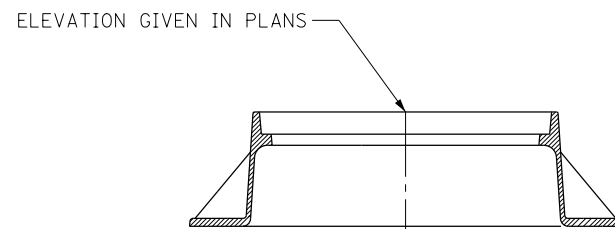


CONC. END SECTIONS

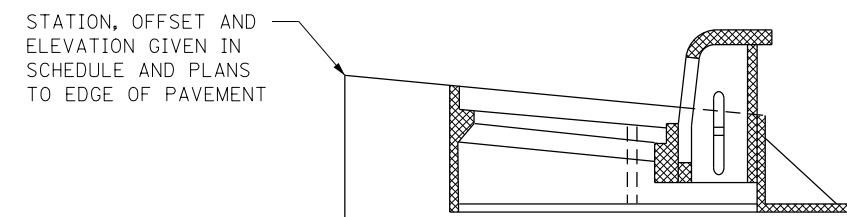
METAL END SECTIONS

STATION, OFFSET AND INVERT GIVEN IN SCHEDULE AND PLANS



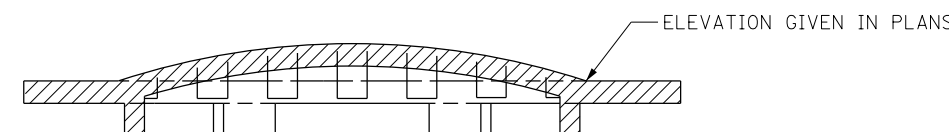
TYPE 1 FRAME AND LID

ELEVATION GIVEN IN PLANS



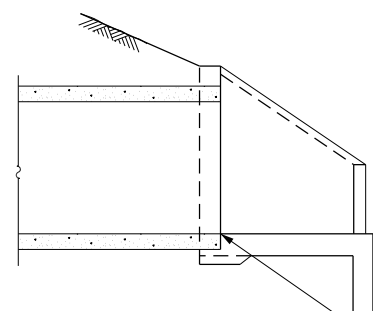
TYPE 11 FRAME AND GRATE

STATION, OFFSET AND ELEVATION GIVEN IN SCHEDULE AND PLANS TO EDGE OF PAVEMENT



TYPE 8 GRATE

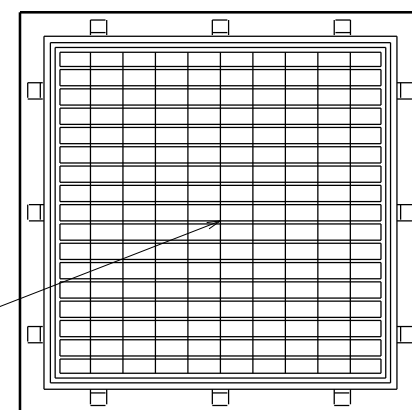
ELEVATION GIVEN IN PLANS



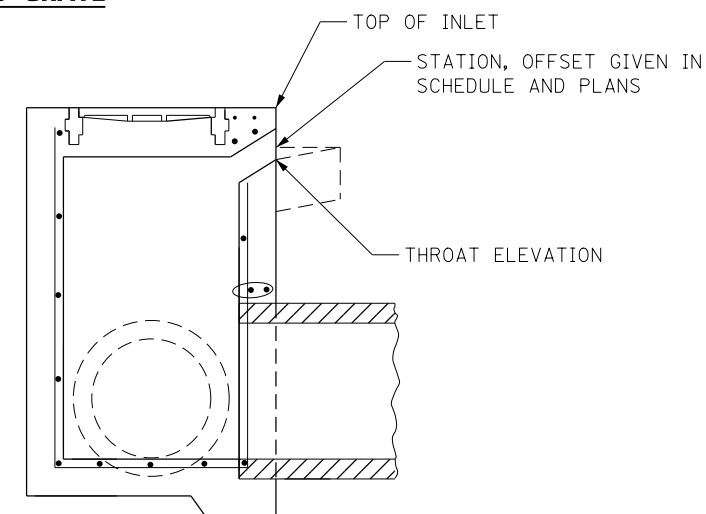
BOX CULVERT END SECTIONS

STATION, OFFSET AND INVERT GIVEN IN SCHEDULE AND PLANS

STATION AND OFFSET GIVEN IN SCHEDULE AND PLANS TO CENTER OF STRUCTURE



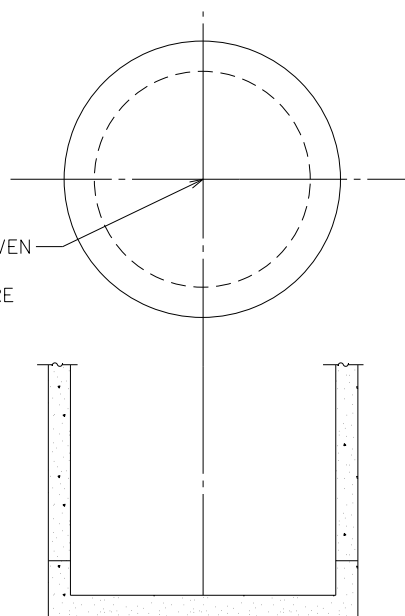
FLUSH INLET BOX FOR MEDIAN



INLETS, SPECIAL

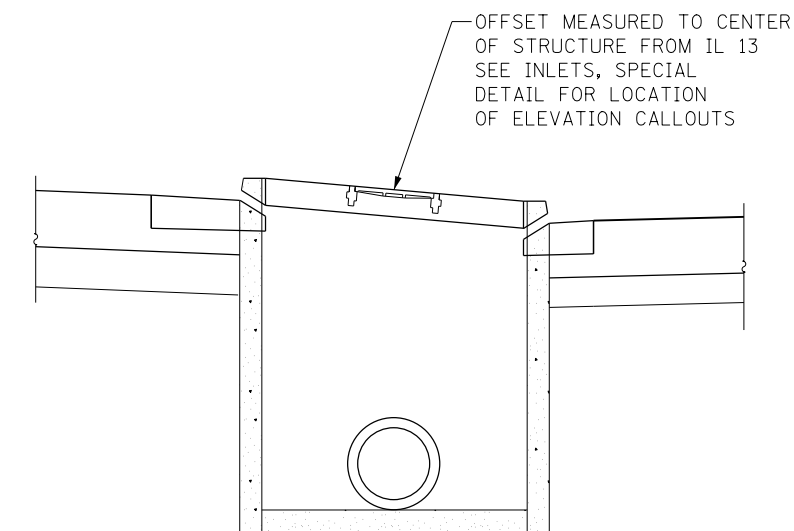
TOP OF INLET
STATION, OFFSET GIVEN IN SCHEDULE AND PLANS

THROAT ELEVATION



MANHOLES AND INLETS, TYPE A & B

STATION AND OFFSET GIVEN IN SCHEDULE AND PLANS TO CENTER OF STRUCTURE



INLETS, SPECIAL

OFFSET MEASURED TO CENTER OF STRUCTURE FROM IL 13
SEE INLETS, SPECIAL
DETAIL FOR LOCATION OF ELEVATION CALLOUTS