

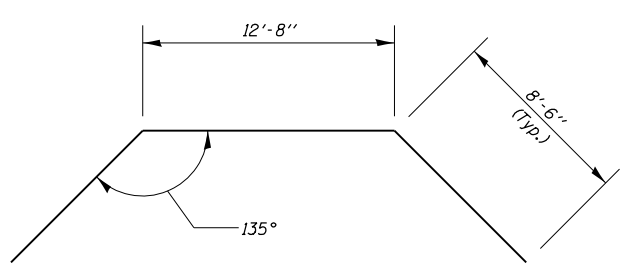
DESIGN STRESSES
 $f_y = 60,000 \text{ psi}$
 $f_c' = 3,500 \text{ psi}$

HALF SIDE ELEVATION

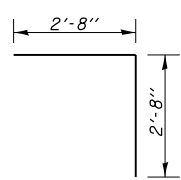
BILL OF MATERIAL

Bar	No.	Size	Length	Shape	
b(E)	14	#4	24'-1"	—	
d(E)	34	#4	5'-4"	J	
h(E)	2	#4	29'-8"	—	
h1(E)	12	#4	8'-5"	—	
s(E)	4	#4	39'-7"	□	
v1(E)	32	#4	8'-5"	—	
Concrete Box Culverts				Cu. Yd.	17.1
Reinforcement Bars, Epoxy Coated				Pound	740

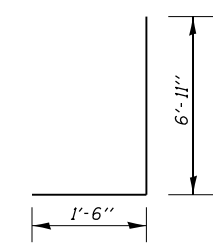
Reinforcement bars designated (E) shall be epoxy coated.
 *Cut or bend to fit.
 Reinforcement bars shall conform to the requirements of ASTM A 706.
 Exposed edges shall be beveled 3/4"



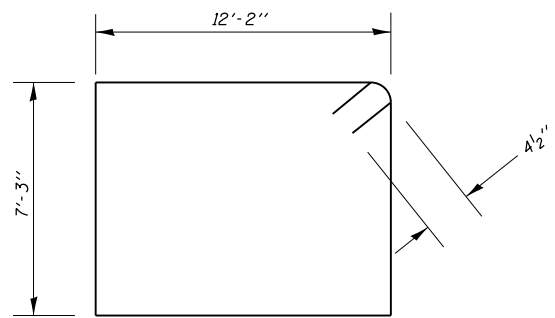
Bar h(E)



Bar d(E)



Bar v1(E)



Bar s(E)

Cast-in-Place
 Apron End Section Details
 Hamilton County
 SN 033-7035