

ITEM NUMBER	ITEM	UNIT	CITY/IDOT QUANTITY	CITY/FRA** QUANTITY	TOTAL QUANTITY
51203200	TEST PILE METAL SHELLS	EACH	2	0	2
51500100	NAME PLATES	EACH	3	1	4
52000110	PREFORMED JOINT STRIP SEAL	FOOT	184	0	184
52100010	ELASTOMERIC BEARING ASSEMBLY, TYPE I	EACH	6	0	6
52100520	ANCHOR BOLTS, 1"	EACH	12	0	12
52100530	ANCHOR BOLTS, 1 1/4"	EACH	12	0	12
54003000	CONCRETE BOX CULVERTS	CU YD	0	619	619
550A0050	STORM SEWERS, CLASS A, TYPE 1 12"	FOOT	43	0	43
550A0340	STORM SEWERS, CLASS A, TYPE 2 12"	FOOT	1476	0	1476
550A0380	STORM SEWERS, CLASS A, TYPE 2 18"	FOOT	5	0	5
550A0400	STORM SEWERS, CLASS A, TYPE 2 21"	FOOT	241	0	241
550A0640	STORM SEWERS, CLASS A, TYPE 3 12"	FOOT	62	0	62
550A0730	STORM SEWERS, CLASS A, TYPE 3 30"	FOOT	21	0	21
550B1840	STORM SEWERS, CLASS B, TYPE 7 12"	FOOT	135	0	135
55100300	STORM SEWER REMOVAL 8"	FOOT	34	0	34
55100400	STORM SEWER REMOVAL 10"	FOOT	204	0	204
55100500	STORM SEWER REMOVAL 12"	FOOT	353	0	353
55100700	STORM SEWER REMOVAL 15"	FOOT	29	0	29
55100800	STORM SEWER REMOVAL 16"	FOOT	22	0	22
55100900	STORM SEWER REMOVAL 18"	FOOT	396	0	396
55101300	STORM SEWER REMOVAL 27"	FOOT	146	0	146
* 56100600	WATER MAIN 6"	FOOT	334	0	334
* 56100700	WATER MAIN 8"	FOOT	1147	0	1147
* 56100900	WATER MAIN 12"	FOOT	464	0	464
* 56104900	WATER VALVES 6"	EACH	7	0	7
* 56105000	WATER VALVES 8"	EACH	3	0	3
* 56105400	WATER VALVES 18"	EACH	2	0	2
* 56108710	TAPPING VALVES AND SLEEVES 4"	EACH	1	0	1
* 56108800	TAPPING VALVES AND SLEEVES 6"	EACH	1	0	1
* 56108900	TAPPING VALVES AND SLEEVES 8"	EACH	4	0	4
* 56109100	TAPPING VALVES AND SLEEVES 12"	EACH	1	0	1
* 56200200	WATER SERVICE LINE 3/4"	FOOT	467	0	467
* 56200300	WATER SERVICE LINE 1"	FOOT	267	0	267
* 56200500	WATER SERVICE LINE 1 1/2"	FOOT	119	0	119
* 56200700	WATER SERVICE LINE 2"	FOOT	113	0	113
* 56400600	FIRE HYDRANTS	EACH	5	0	5
58700300	CONCRETE SEALER	SQ FT	1839	0	1839
59100100	GEOCOMPOSITE WALL DRAIN	SQ YD	7	169	176
60100915	PIPE DRAINS 6"	FOOT	56	0	56
60218300	MANHOLES, TYPE A, 4'-DIAMETER, TYPE 1 FRAME, OPEN LID	EACH	1	0	1
60218400	MANHOLES, TYPE A, 4'-DIAMETER, TYPE 1 FRAME, CLOSED LID	EACH	22	0	22
60219000	MANHOLES, TYPE A, 4'-DIAMETER, TYPE 8 GRATE	EACH	2	0	2
60219200	MANHOLES, TYPE A, 4'-DIAMETER, TYPE 10 FRAME AND GRATE	EACH	2	0	2
60219300	MANHOLES, TYPE A, 4'-DIAMETER, TYPE 11 FRAME AND GRATE	EACH	6	0	6
60236200	INLETS, TYPE A, TYPE 8 GRATE	EACH	5	0	5
60236700	INLETS, TYPE A, TYPE 10 FRAME AND GRATE	EACH	4	0	4
60236825	INLETS, TYPE A, TYPE 11V FRAME AND GRATE	EACH	4	0	4
60240215	INLETS, TYPE B, TYPE 1 FRAME, CLOSED LID	EACH	1	0	1
60240301	INLETS, TYPE B, TYPE 8 GRATE	EACH	6	0	6
60240312	INLETS, TYPE B, TYPE 11V FRAME AND GRATE	EACH	44	0	44
60255800	MANHOLES TO BE ADJUSTED WITH NEW TYPE 1 FRAME, CLOSED LID	EACH	5	0	5
60500040	REMOVING MANHOLES	EACH	9	0	9
60500060	REMOVING INLETS	EACH	27	0	27
60603800	COMBINATION CONCRETE CURB AND GUTTER, TYPE B-6.12	FOOT	3875	0	3875
* 63000001	STEEL PLATE BEAM GUARDRAIL, TYPE A, 6 FOOT POSTS	FOOT	82	0	82
* 66400105	CHAIN LINK FENCE, 4'	FOOT	150	0	150
* 66900200	NON-SPECIAL WASTE DISPOSAL	CU YD	100	0	100
* 66900530	SOIL DISPOSAL ANALYSIS	EACH	1	0	1
67100100	MOBILIZATION	L SUM	1	0	1
* 72000100	SIGN PANEL - TYPE 1	SQ FT	107	0	107

*SPECIALTY ITEMS

**FRA QUANTITY TO BE PAID FOR AS 90% BY CITY AND 10% BY THE GRADE CROSSING PROTECTION FUND (GCPF) OR ILLINOIS JOBS NOW (IJN) FUNDS.

LAUNCH	6/27/13
RLA	5/28/13
MD	5/28/13
MPB	5/28/13

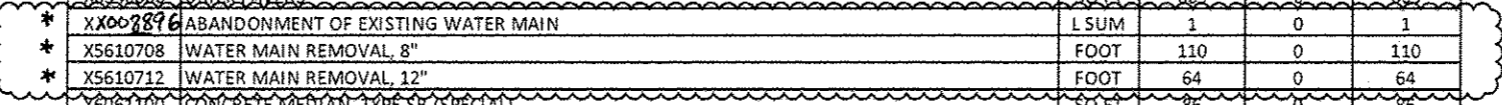
FILE NAME * c:\puser_work\do_not_delete\dms93245\04	USER NAME * brest00990	DESIGNED - RLA	REVISED - 07/22/13
*L0214-ent-500002.dgn		DRAWN - MGD	REVISED -
PLOT SCALE * 10.0000' / 1"		CHECKED - MPB	REVISED -
PLOT DATE * 07/23/2013		DATE - 5/29/13	REVISED -

STATE OF ILLINOIS
DEPARTMENT OF TRANSPORTATION

SEMINARY STREET/KELLOGG STREET
SUMMARY OF QUANTITIES

SCALE:	SHEET NO. OF SHEETS	STA. TO STA.	F.A.U. RTE. 6799 6800 6801	SECTION 05-00501-21-GS	COUNTY KNOX	TOTAL SHEETS 269	SHEET NO. 4
			CONTRACT NO. 89419				
FED. ROAD DIST. NO. ILLINOIS FED. AID PROJECT							

ITEM NUMBER	ITEM	UNIT	CITY/IDOT QUANTITY	CITY/FRA** QUANTITY	TOTAL QUANTITY
* 72000200	SIGN PANEL - TYPE 2	SQ FT	80	0	80
* 72900100	METAL POST - TYPE A	FOOT	123	0	123
* 72900200	METAL POST - TYPE B	FOOT	174	0	174
* 78009000	MODIFIED URETHANE PAVEMENT MARKING - LETTERS AND SYMBOLS	SQ FT	406	0	406
* 78009004	MODIFIED URETHANE PAVEMENT MARKING - LINE 4"	FOOT	9398	0	9398
* 78009006	MODIFIED URETHANE PAVEMENT MARKING - LINE 6"	FOOT	450	0	450
* 78009008	MODIFIED URETHANE PAVEMENT MARKING - LINE 8"	FOOT	1431	0	1431
* 78009012	MODIFIED URETHANE PAVEMENT MARKING - LINE 12"	FOOT	996	0	996
* 78009024	MODIFIED URETHANE PAVEMENT MARKING - LINE 24"	FOOT	51	0	51
* 78300100	PAVEMENT MARKING REMOVAL	SQ FT	251	0	251
* 80400100	ELECTRIC SERVICE INSTALLATION	EACH	2	0	2
* 81028340	UNDERGROUND CONDUIT, PVC, 1 1/2" DIA.	FOOT	1010	0	1010
* 81028350	UNDERGROUND CONDUIT, PVC, 2" DIA.	FOOT	2517	0	2517
* 81028370	UNDERGROUND CONDUIT, PVC, 3" DIA.	FOOT	8	0	8
* 81028390	UNDERGROUND CONDUIT, PVC, 4" DIA.	FOOT	256	0	256
* 81200210	CONDUIT EMBEDDED IN STRUCTURE, 1" DIA., PVC	FOOT	105	0	105
* 81200230	CONDUIT EMBEDDED IN STRUCTURE, 2" DIA., PVC	FOOT	3080	0	3080
* 81400100	HANDHOLE	EACH	10	0	10
* 81400700	HANDHOLE, PORTLAND CEMENT CONCRETE	EACH	4	0	4
* 81702110	ELECTRIC CABLE IN CONDUIT, 600V (XLP-TYPE USE) 1/C NO. 10	FOOT	10810	0	10810
* 81702130	ELECTRIC CABLE IN CONDUIT, 600V (XLP-TYPE USE) 1/C NO. 6	FOOT	17356	0	17356
* 82500410	LIGHTING CONTROLLER, BASE MOUNTED, 240VOLT, 200AMP (DUAL)	EACH	2	0	2
* 83600300	LIGHT POLE FOUNDATION, 30" DIAMETER	FOOT	163	0	163
* 84400105	RELOCATE EXISTING LIGHTING UNIT	EACH	2	0	2
* 87301245	ELECTRIC CABLE IN CONDUIT, SIGNAL NO. 14 5C	FOOT	2315	0	2315
* 87301255	ELECTRIC CABLE IN CONDUIT, SIGNAL NO. 14 7C	FOOT	502	0	502
* 87301515	ELECTRIC CABLE IN CONDUIT, LEAD-IN, NO. 18 3 PAIR	FOOT	200	0	200
* 87301900	ELECTRIC CABLE IN CONDUIT, EQUIPMENT GROUNDING CONDUCTOR, NO. 6 1C	FOOT	425	0	425
* 87502470	TRAFFIC SIGNAL POST, GALVANIZED STEEL 13 FT.	EACH	1	0	1
* 87502490	TRAFFIC SIGNAL POST, GALVANIZED STEEL 15 FT.	EACH	4	0	4
* 87702910	STEEL COMBINATION MAST ARM ASSEMBLY AND POLE 36 FT.	EACH	1	0	1
* 87702960	STEEL COMBINATION MAST ARM ASSEMBLY AND POLE 46 FT.	EACH	1	0	1
* 87704549	STEEL COMBINATION MAST ARM ASSEMBLY AND POLE WITH DUAL MAST ARMS, 54 FT. AND 36 FT.	EACH	1	0	1
* 87800100	CONCRETE FOUNDATION, TYPE A	FOOT	15	0	15
* 87800415	CONCRETE FOUNDATION, TYPE E 36-INCH DIAMETER	FOOT	40	0	40
* 87900200	DRILL EXISTING HANDHOLE	EACH	3	0	3
* 88040070	SIGNAL HEAD, POLYCARBONATE, LED, 1-FACE, 3-SECTION, BRACKET MOUNTED	EACH	3	0	3
* 88040090	SIGNAL HEAD, POLYCARBONATE, LED, 1-FACE, 3-SECTION, MAST ARM MOUNTED	EACH	6	0	6
* 88040110	SIGNAL HEAD, POLYCARBONATE, LED, 1-FACE, 4-SECTION, BRACKET MOUNTED	EACH	2	0	2
* 88040120	SIGNAL HEAD, POLYCARBONATE, LED, 1-FACE, 4-SECTION, MAST ARM MOUNTED	EACH	2	0	2
* 88102717	PEDESTRIAN SIGNAL HEAD, LED, 1-FACE, BRACKET MOUNTED WITH COUNTDOWN TIMER	EACH	8	0	8
* 88200310	TRAFFIC SIGNAL BACKPLATE, LOUVERED, PLASTIC	EACH	13	0	13
* 88500100	INDUCTIVE LOOP DETECTOR	EACH	4	0	4
* 88600100	DETECTOR LOOP, TYPE I	FOOT	778	0	778
* 88800100	PEDESTRIAN PUSH-BUTTON	EACH	8	0	8
* 89502210	MODIFY EXISTING CONTROLLER CABINET	EACH	1	0	1
* 89502375	REMOVE EXISTING TRAFFIC SIGNAL EQUIPMENT	EACH	2	0	2
* 89502380	REMOVE EXISTING HANDHOLE	EACH	7	0	7
X0300635	PLANTER	EACH	3	0	3
X0322024	TRENCH DRAIN	EACH	2	0	2
X0326864	BRICK SIDEWALK REMOVAL	SQ FT	5060	0	5060
X0327139	AGGREGATE COLUMN GROUND IMPROVEMENT	L SUM	0	1	1
X0540000	BRICK PAVERS	SQ FT	669	0	669
* X0608876	ABANDONMENT OF EXISTING WATER MAIN	L SUM	1	0	1
* X5610708	WATER MAIN REMOVAL, 8"	FOOT	110	0	110
* X5610712	WATER MAIN REMOVAL, 12"	FOOT	64	0	64
X8061100	CONCRETE MEDIAN, TYPE SB (SPECIAL)	SQ FT	86	0	86
X4240800	DETECTABLE WARNINGS (SPECIAL)	SQ FT	12	0	12
X5860110	GRANULAR BACKFILL FOR STRUCTURES	CU YD	8	0	8
X6022810	MANHOLES, SANITARY, 4'-DIAMETER, TYPE 1 FRAME, CLOSED LID	EACH	3	0	3
X6022820	MANHOLES, SANITARY, 5'-DIAMETER, TYPE 1 FRAME, CLOSED LID	EACH	5	0	5
X6700410	ENGINEER'S FIELD OFFICE, TYPE A (SPECIAL)	CAL MO	20	0	20
X7010216	TRAFFIC CONTROL AND PROTECTION, (SPECIAL)	L SUM	1	0	1



*SPECIALTY ITEMS

FILE NAME *	USER NAME *	DESIGNED -	REVISED -
o:\p\156.work\do.not.delete\dms\93245\10...	lrc@hanson.com	RLA	7/22/13
	PL214-aht-500893.dgn	DRAWN -	REVISED -
		MCD	
	PLOT SCALE = 10.0000' / 1" =	CHECKED -	REVISED -
		MPB	
	PLOT DATE = 07/23/2013	DATE -	REVISED -
		5/29/13	

STATE OF ILLINOIS
 DEPARTMENT OF TRANSPORTATION

SEMINARY STREET/KELLOGG STREET
 SUMMARY OF QUANTITIES

SCALE: SHEET NO. OF SHEETS STA. TO STA.

**FRA QUANTITY TO BE PAID FOR AS 90% BY CITY AND 10% BY THE GRADE CROSSING PROTECTION FUND (GCPF) OR ILLINOIS JOBS NOW (IJN) FUNDS.

F.A.U. RTE.	SECTION	COUNTY	TOTAL SHEETS	SHEET NO.
6799 6800 6801	05-00501-21-G5	KNOX	269	5
FED. ROAD DIST. NO. ILLINOIS FED. AID PROJECT			CONTRACT NO. 89419	

ITEM NUMBER	ITEM	UNIT	CITY/IDOT QUANTITY	CITY/FRA** QUANTITY	TOTAL QUANTITY
* X8050135	SERVICE INSTALLATION, TYPE C (MODIFIED)	EACH	1	0	1
* X8210675	LUMINAIRE, METAL HALIDE HORIZONTAL MOUNT 400 WATT	EACH	4	0	4
* X8950224	RELOCATE CONTROLLER CABINET	EACH	1	0	1
XX000300	CONCRETE STEPS	SQ FT	65	0	65
XX001186	PLANTER REMOVAL	EACH	3	0	3
* XX001249	ORNAMENTAL FENCE	FOOT	106	0	106
△ * XX002082	SANITARY SEWER REMOVAL 24"	FOOT	394	0	394
XX002090	STAIR SIDE RAILING	FOOT	37	0	37
XX003711	BUS SHELTER REMOVAL	EACH	2	0	2
XX006429	SIDEWALK, SPECIAL	SQ FT	30	0	30
XX006498	COMBINATION CONCRETE CURB AND SIDEWALK 4 INCH (SPECIAL)	SQ FT	630	0	630
* XX006653	FENCE (SPECIAL)	FOOT	258	0	258
△ * XX007892	SANITARY SEWER REMOVAL 27"	FOOT	219	0	219
XX008258	STAMPED COLORED PORTLAND CEMENT CONCRETE SIDEWALK, 6 INCH	SQ FT	314	0	314
XX008376	CONCRETE GUTTER FLAG	FOOT	34	0	34
Z0004002	BOLLARDS	EACH	4	0	4
* Z0007601	BUILDING REMOVAL NO. 1	L SUM	1	0	1
* Z0007602	BUILDING REMOVAL NO. 2	L SUM	1	0	1
* Z0007603	BUILDING REMOVAL NO. 3	L SUM	1	0	1
Z0013797	STABILIZED CONSTRUCTION ENTRANCE	SQ YD	301	0	301
Z0013798	CONSTRUCTION LAYOUT	L SUM	1	0	1
Z0014900	CURB STOPS 3/4"	EACH	3	0	3
Z0015300	CURB STOPS 2"	EACH	1	0	1
Z0018002	DRAINAGE SCUPPERS, DS-11	EACH	4	0	4
Z0018800	DRAINAGE SYSTEM	L SUM	1	0	1
Z0022800	FENCE REMOVAL	FOOT	96	0	96
Z0034210	MECHANICALLY STABILIZED EARTH RETAINING WALL	SQ FT	0	37726	37726
Z0037300	PAVEMENT GROOVING	SQ YD	2531	0	2531
Z0046304	PIPE UNDERDRAINS FOR STRUCTURES 4"	FOOT	479	0	479
Z0048665	RAILROAD PROTECTIVE LIABILITY INSURANCE	L SUM	1	0	1
* Z0049801	REMOVAL AND DISPOSAL OF FRIABLE ASBESTOS, BUILDING NO. 1	L SUM	1	0	1
* Z0049803	REMOVAL AND DISPOSAL OF FRIABLE ASBESTOS, BUILDING NO. 3	L SUM	1	0	1
Z0056608	STORM SEWER (WATER MAIN REQUIREMENTS) 12 INCH	FOOT	791	0	791
Z0056610	STORM SEWER (WATER MAIN REQUIREMENTS) 15 INCH	FOOT	230	0	230
Z0056612	STORM SEWER (WATER MAIN REQUIREMENTS) 18 INCH	FOOT	8	0	8
Z0056620	STORM SEWER (WATER MAIN REQUIREMENTS) 30 INCH	FOOT	179	0	179
* Z0057500	SANITARY SEWER 24"	FOOT	329	0	329
* Z0057600	SANITARY SEWER 27"	FOOT	257	0	257
* Z0067900	STEEL CASINGS 24"	FOOT	209	0	209
* Z0068400	STEEL CASINGS 42"	FOOT	76	0	76
* A2002816	TREE, CATALPA SPECIOSA (NORTHERN CATALPA), 2" CALIPER, BALLED AND BURLAPPED	EACH	13	0	13
* A2002916	TREE, CELTIS OCCIDENTALIS (COMMON HACKBERRY), 2" CALIPER, BALLED AND BURLAPPED	EACH	7	0	7
* A2003216	TREE, CORYLUS COLURNA (TURKISH FILBERT), 2" CALIPER, BALLED AND BURLAPPED	EACH	14	0	14
* XX008732	VAULT LID RESURFACING	L SUM	1	0	1
X8780105	CONCRETE FOUNDATION, SPECIAL	EACH	1	0	1
* XX008881	CONDUIT, SPECIAL	FOOT	14	0	14
XX008880	STORM SEWERS, CLASS B, TYPE 1, 6"	FOOT	56	0	56
* XX008882	LIGHT POLE ORNAMENTAL, ALUMINUM, 33 FT. M.H., 8 FT. MAST ARM	EACH	24	0	24
* XX008883	LIGHT POLE ORNAMENTAL, ALUMINUM, 35 FT. M.H., 8 FT. MAST ARM	EACH	25	0	25
* 81301370	JUNCTION BOX, STAINLESS STEEL, EMBEDDED IN STRUCTURE, 18" X 12" X 8"	EACH	1	0	1
* XX008884	LUMINAIRE, LED, DECORATIVE, 34 WATT	EACH	4	0	4
* XX008885	LUMINAIRE, LED, ORNAMENTAL, 53 WATT	EACH	39	0	39
* XX008886	LUMINAIRE, LED, ORNAMENTAL, 96 WATT	EACH	10	0	10
* XX008887	FORM LINER PARAPET SURFACE	SQ YD	1485	0	1485
XX008888	HANDRAIL (SPECIAL)	FOOT	1740	0	1740
* XX008889	PVC CASING PIPE 15"	FOOT	44	0	44
* XX008890	PVC CASING PIPE 6"	FOOT	44	0	44
* X0539200	DROP MANHOLE CONNECTION	EACH	2	0	2
* XX008891	6" SERVICE LATERAL	FOOT	126	0	126
* XX008892	MANHOLE, ADDITIONAL DEPTH, 4' DIA.	FOOT	23	0	23
* XX008893	MANHOLE, ADDITIONAL DEPTH, 5' DIA.	FOOT	26	0	26
XX008894	SLOPE WALL, SPECIAL 6"	SQ YD	0	738	738
Z0076600	TRAINEES	HOUR	-	0	500
Z0076604	TRAINEES TRAINING PROGRAM GRADUATE	HOUR	-	0	500
△ * XX008897	SANITARY SEWER TO BE ABANDONED	FOOT	325	0	325

△ 0042
 △ * SPECIALTY ITEMS

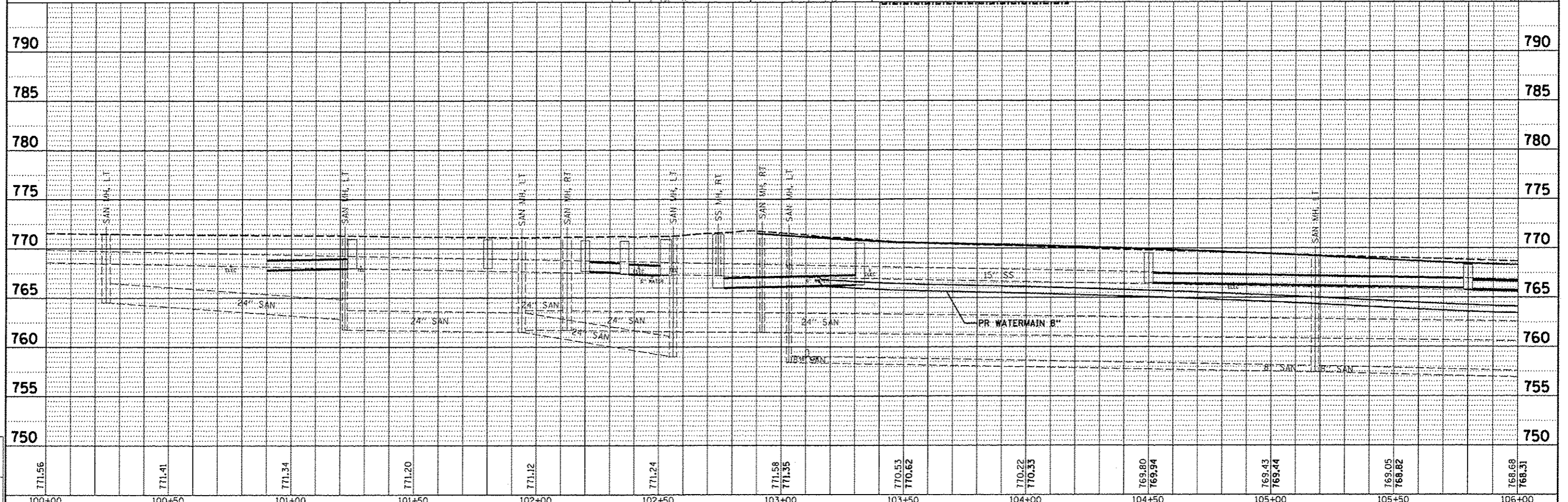
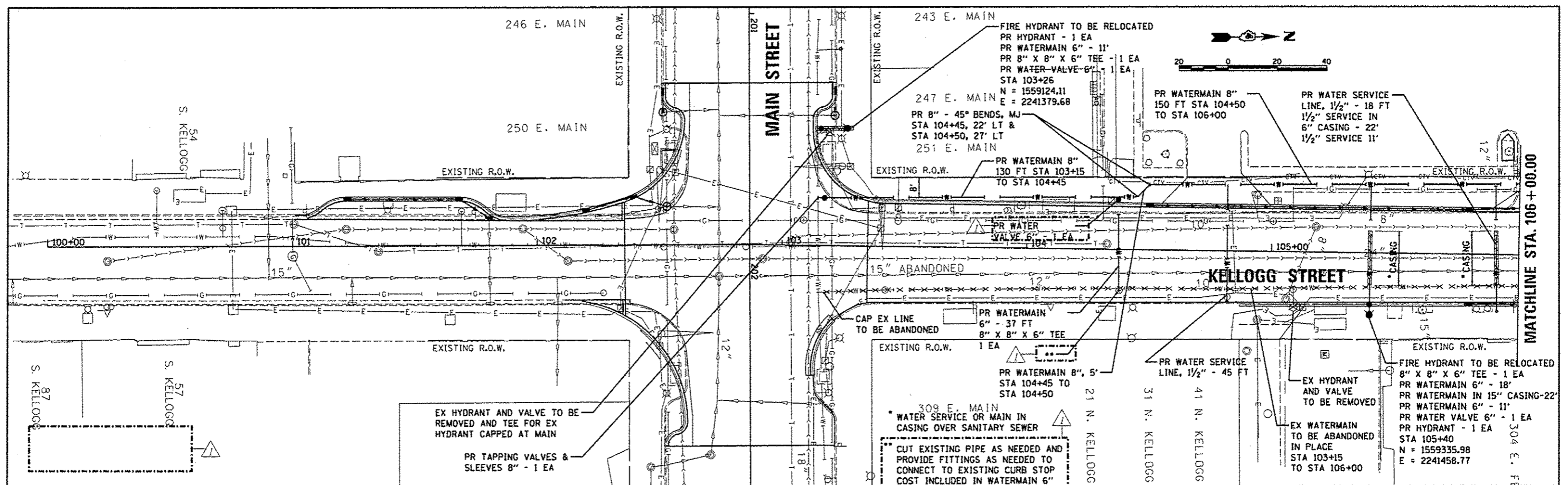
**FRA QUANTITY TO BE PAID FOR AS 90% BY CITY AND 10% BY THE GRADE CROSSING PROTECTION FUND (GCPF) OR ILLINOIS JOBS NOW (IJN) FUNDS.

LAYOUT	5/27/13
REA	5/28/13
MGD	5/28/13
MPB	5/28/13

FILE NAME : c:\pwwork\do-not-delete\13245\14	USER NAME : brc130993	DESIGNED - RLA	REVISED - △ 7/22/13	STATE OF ILLINOIS DEPARTMENT OF TRANSPORTATION	SEMINARY STREET/KELLOGG STREET SUMMARY OF QUANTITIES	F.A.U. RTE.	SECTION	COUNTY	TOTAL SHEETS	SHEET NO.
PL0214-shh-500024.dgn	DRAWN - MGD	CHECKED - MPB	REVISED -			6799	05-00501-21-GS	KNOX	269	6
PL0T SCALE : 10.0000' / 1"	DATE - 5/29/13	REVISED -	REVISED -			6800	CONTRACT NO.89419			
PL0T DATE : 07/24/2013						6801	ILLINOIS FED. AID PROJECT			

DATE	
BY	
PROJECT NO.	
SHEET NO.	
TOTAL SHEETS	
CONTRACT NO.	

DATE	
BY	
PROJECT NO.	
SHEET NO.	
TOTAL SHEETS	
CONTRACT NO.	

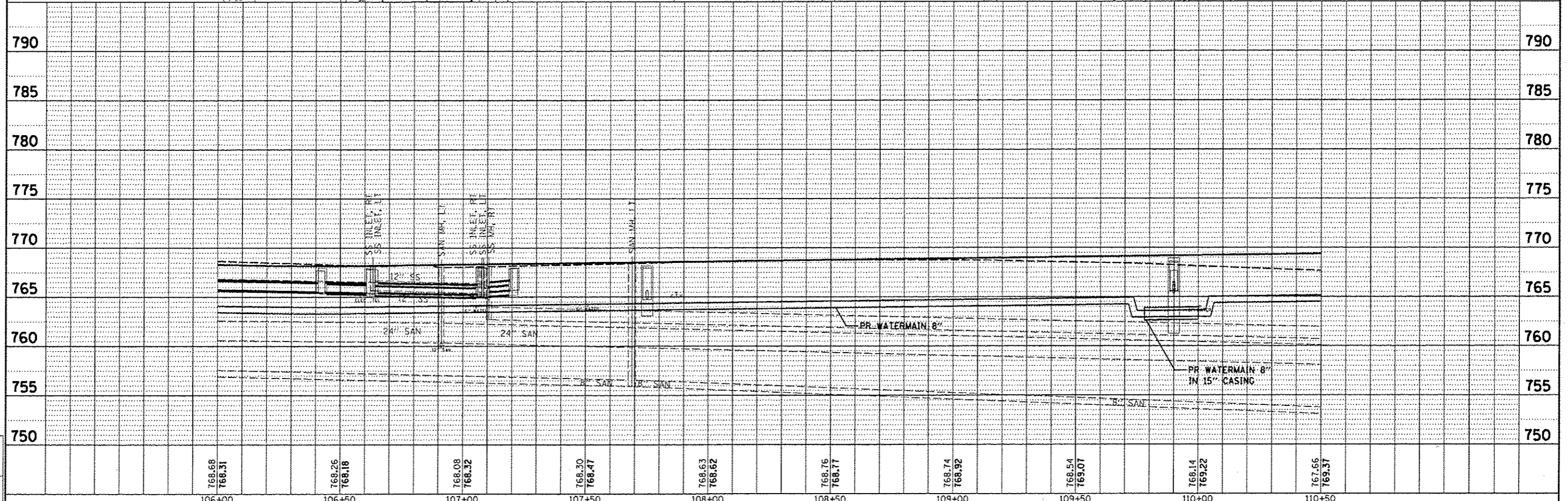
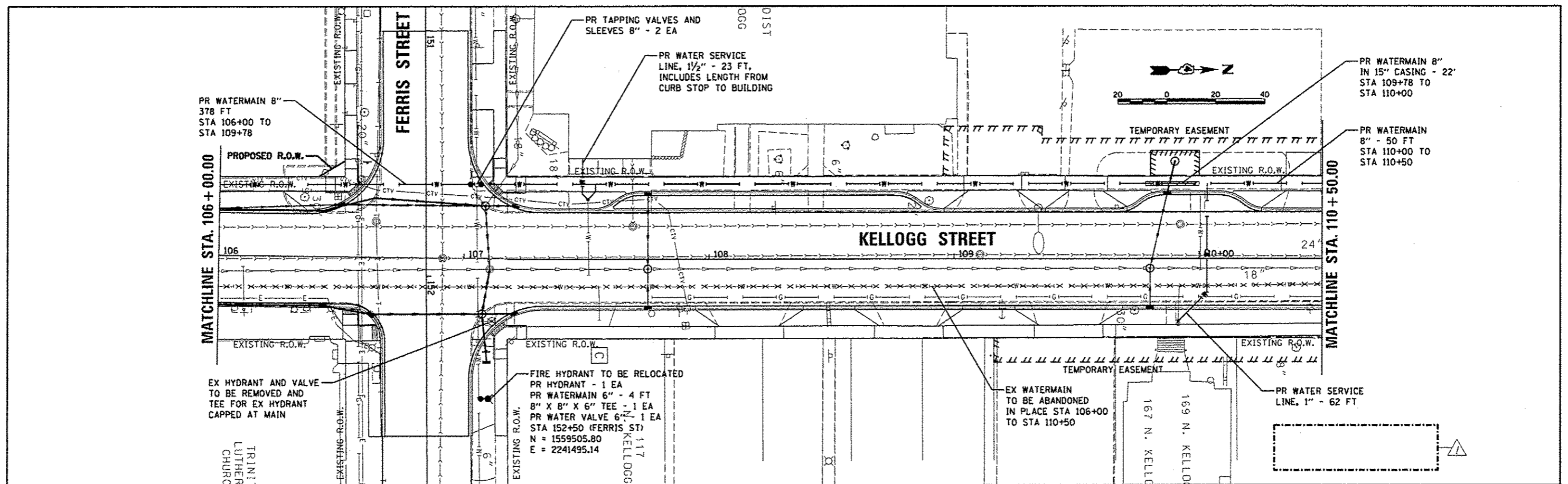


FILE NAME	USER NAME = b-m-l20993	DESIGNED - GLS	REVISED - 07/22/2013 CFC	STATE OF ILLINOIS DEPARTMENT OF TRANSPORTATION	WATERMAIN RELOCATION PLAN SOUTH KELLOGG STREET	F.A.U. RTE.	SECTION	COUNTY	TOTAL SHEETS	SHEET NO.
0:\pwwork\k\do-not-delete\08130752\0409	19-ah-l-001-wm.dgn	DRAWN - CFC	REVISED -			6799	05-00501-21-CS	KNOX	269	68
Default	PLOT SCALE = 39.9999' / in.	CHECKED - GLS	REVISED -			6800				
CB PROJECT NO 10002	PLOT DATE = 07/23/2013	DATE - 5/29/13	REVISED -			SCALE: 1" = 20'	SHEET NO. OF SHEETS	STA. TO STA.	6801	ILLINOIS FED. AID PROJECT

PLAN	DATE
BY	
REVISIONS	
NO.	
DATE	
BY	
DESCRIPTION	
NO.	
DATE	
BY	
DESCRIPTION	
NO.	
DATE	
BY	
DESCRIPTION	
NO.	
DATE	

PROFILE	DATE
BY	
REVISIONS	
NO.	
DATE	
BY	
DESCRIPTION	
NO.	
DATE	
BY	
DESCRIPTION	
NO.	
DATE	

LAYOUT	DATE
BY	
REVISIONS	
NO.	
DATE	
BY	
DESCRIPTION	
NO.	
DATE	
BY	
DESCRIPTION	
NO.	
DATE	

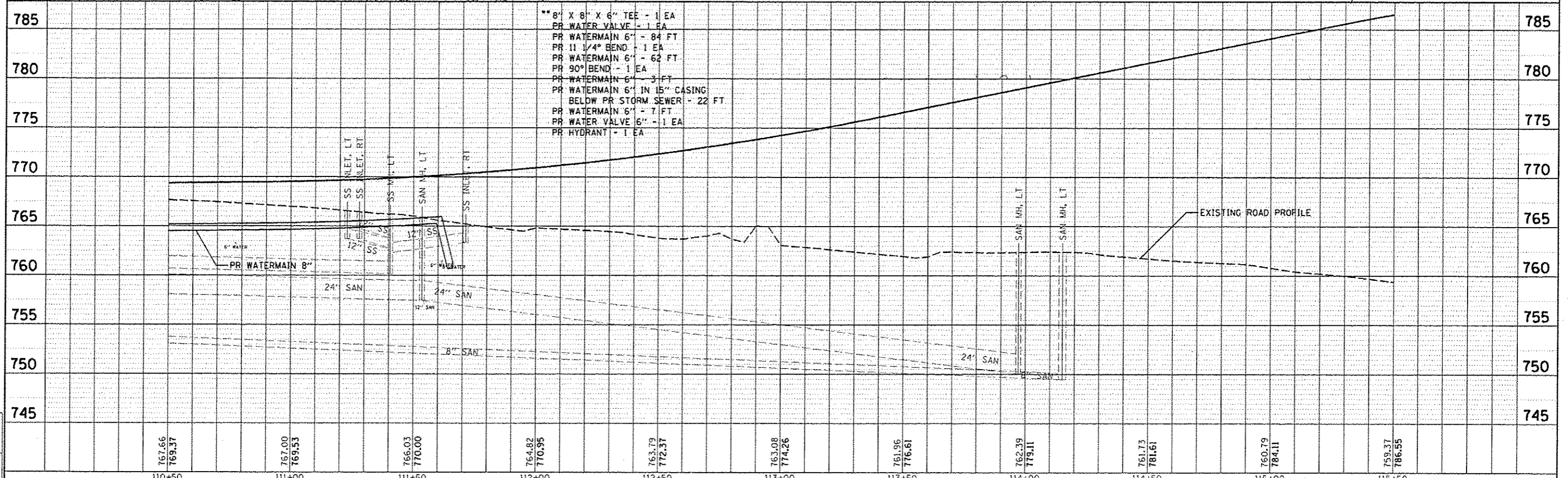
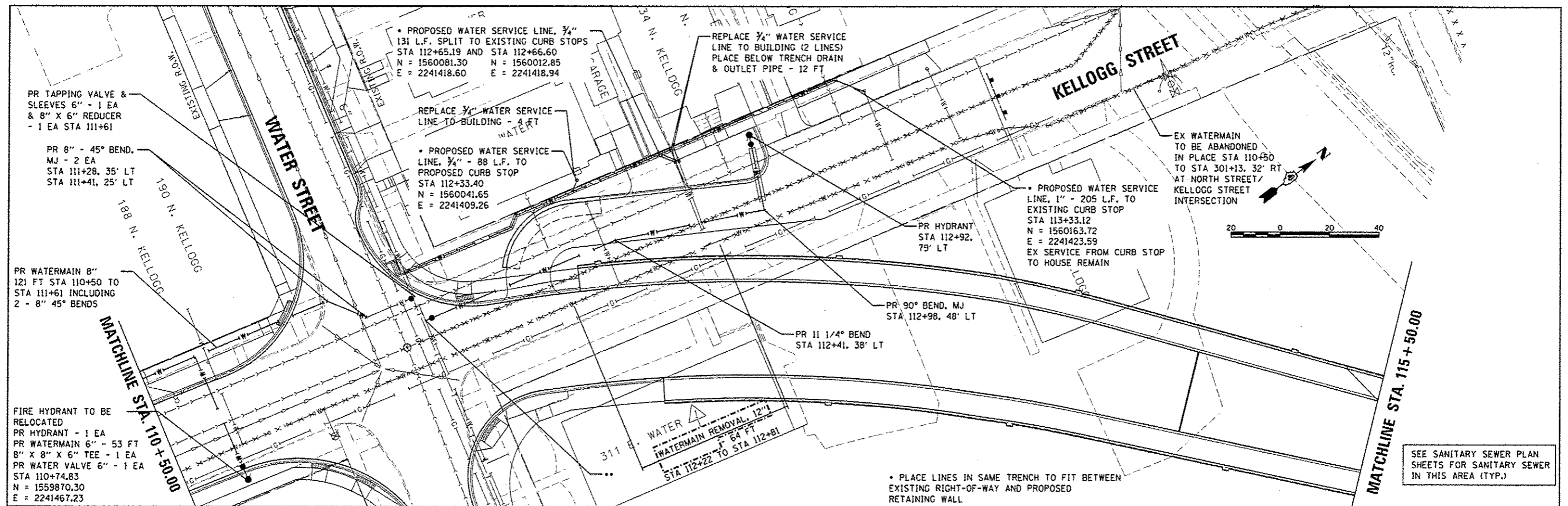


FILE NAME	USER NAME = brest20993	DESIGNED - GLS	REVISED - 07/22/2013 CFC	STATE OF ILLINOIS DEPARTMENT OF TRANSPORTATION		WATERMAIN RELOCATION PLAN SOUTH KELLOGG STREET		F.A.U. RTE.	SECTION	COUNTY	TOTAL SHEETS	SHEET NO.
0:\p\100\work\do_not_delete\08130752\0489	19-act-202-um.dgn	DRAWN - CFC	REVISED -					6799	05-00501-21-GS	KNOX	269	69
Default	PLOT SCALE = 3/32" = 1' / in.	CHECKED - GLS	REVISED -					6800			CONTRACT NO. 89419	
CD PROJECT NO 10002	PLOT DATE = 07/23/2013	DATE = 5/29/13	REVISED -			SCALE: 1" = 20'		SHEET NO.	OF SHEETS	STA.	TO STA.	6801

PLAN	NO. _____
DATE	_____
BY	_____
REVISIONS	
NO.	
DATE	
BY	

PROFILE	NO. _____
DATE	_____
BY	_____
REVISIONS	
NO.	
DATE	
BY	

LAYOUT	NO. _____
DATE	_____
BY	_____
REVISIONS	
NO.	
DATE	
BY	



FILE NAME	USER NAME	DESIGNED	REVISED	STATE OF ILLINOIS	F.A.U. R.T.E.	SECTION	COUNTY	TOTAL SHEETS	SHEET NO.
6:\pwwork\do\dot\delete\09130752\0409	brent20993	GLS	07/22/2013 CFC	DEPARTMENT OF TRANSPORTATION	6799	05-00501-21-GS	KNOX	269	70
CB PROJECT NO 10002	PLOT SCALE = 39.9999' / in.	CHECKED	REVISED	SCALE: 1" = 20'	6800			CONTRACT NO.89419	
	PLOT DATE = 07/23/2013	DATE	REVISED	SHEET OF SHEETS	6801			ILLINOIS FED. AID PROJECT	

SEE SANITARY SEWER PLAN SHEETS FOR SANITARY SEWER IN THIS AREA (TYP.)

2" PR WATER SERVICE LINE - 63 FT TO CURB STOP AND 2" WATER SERVICE LINE - 50 FT TO HOUSE

PROPOSED 8" Ø 45° BEND PROPOSED WATER VALVE 8" STA 123+00.06
 PLUG EXISTING 8" Ø WATERMAIN TO THE SOUTH AND BRACE AGAINST THE PROPOSED 45° BEND
 N = 1560963.99
 E = 2241936.24

WATERMAIN REMOVAL, 8" STA 120+50 TO STA 121+60 - 110'
 EXISTING WATERMAIN 8" TO BE ABANDONED IN PLACE STA 121+60 TO STA 123+00



END IMPROVEMENTS STA 124+75.00

SEMINARY STREET

PROPOSED 77 L.F. WATERMAIN 8" STA 120+50 TO STA 121+27

PR 8" X 8" X 8" M.J. AND PR 8" WATER VALVE STA. 121+17.53
 N = 1560776.46
 E = 2241948.91

PROPOSED 8" Ø 45° BEND, M.J., STA. 121+69.14
 N = 1560830.95
 E = 2241952.79

PROPOSED 8" Ø 45° BEND, M.J., STA. 121+80.29
 N = 1560841.95
 E = 2241967.64

PROPOSED 91 L.F. WATERMAIN 8" STA 121+80 TO STA 122+69

PROPOSED 8" Ø 45° BEND, M.J., STA 122+69.13
 N = 1560932.64
 E = 2241967.61

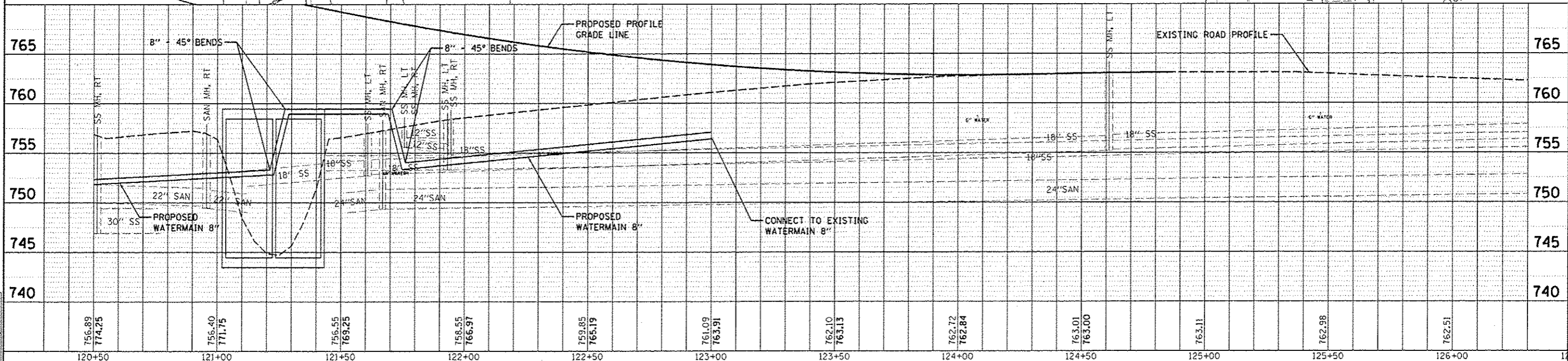
PROPOSED 45 L.F. WATERMAIN 8" STA 122+69 TO STA 123+00

PR 18 L.F. WATERMAIN 8" STA 121+69 TO STA 121+80

NOTE:
 PR 42 FT WATERMAIN 8" TO BE ATTACHED TO CULVERT AND INSULATED, STA 121+27 TO STA 121+69. INSULATION WILL ALSO BE REQUIRED ON PIPE WITHIN 4" OF THE GROUND SURFACE ON EACH END OF THE CULVERT. CONTRACTOR SHALL SUBMIT DETAILS OF PIPE INSULATION AND ATTACHMENT OF PIPE TO CULVERT FOR REVIEW AND ACCEPTANCE BY THE ENGINEER. COST INCLUDED WITH WATERMAIN 8".

DATE	
BY	
PLAN	
NO.	
NO.	
NO.	
NO.	
NO.	

DATE	
BY	
PROFILE	
NO.	
NO.	
NO.	
NO.	
NO.	



FILE NAME : c:\p\work\do_not_delete\130702\10489	USER NAME : brest00993	DESIGNED - GLS	REVISED - 07/22/2013 CFC	F.A.U. RTE.	SECTION	COUNTY	TOTAL SHEETS	SHEET NO.
Default	Plot Scale : 39.9999 / in.	DRAWN - CFC	REVISED -	6799	05-00501-21-GS	KNOX	269	72
CR PROJECT NO 10882	Plot Date : 8/23/2013	CHECKED - GLS	REVISED -	6800				CONTRACT NO.89419
		DATE - 5/29/13	REVISED -	6801				ILLINOIS FED. AID PROJECT

**STATE OF ILLINOIS
 DEPARTMENT OF TRANSPORTATION**

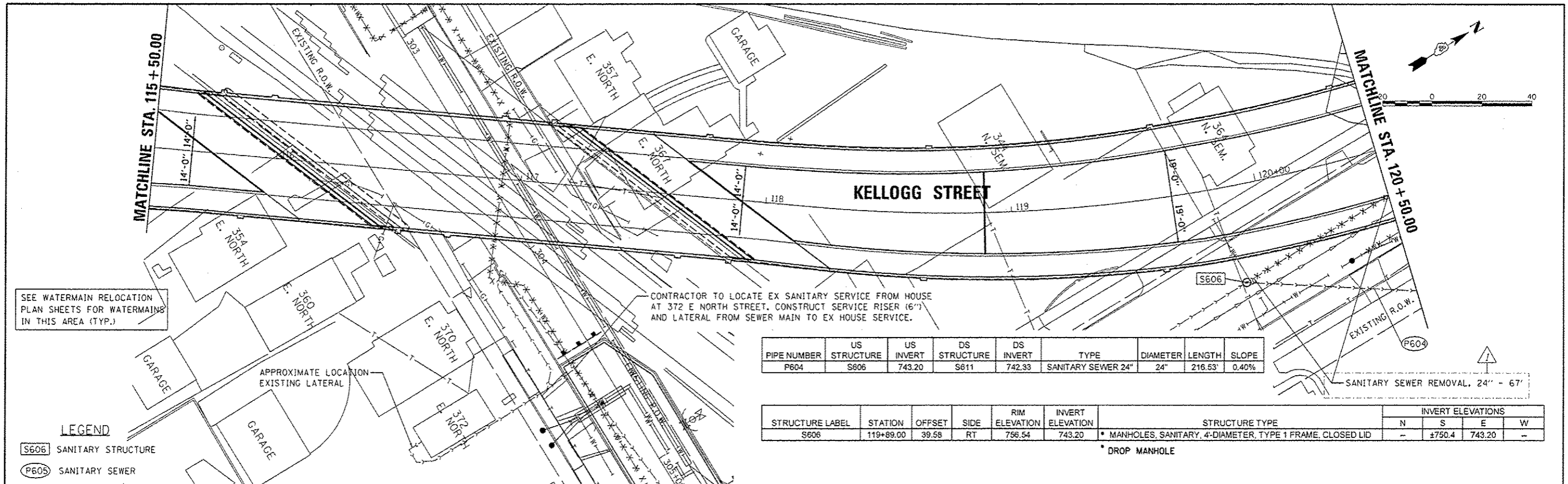
**WATERMAIN RELOCATION PLAN
 NORTH KELLOGG STREET**

SCALE: 1" = 20' SHEET NO. OF SHEETS STA. TO STA.

PLAN	DATE
BY	
REVISIONS	
NO.	
DATE	
BY	
REVISIONS	
NO.	
DATE	
BY	
REVISIONS	
NO.	
DATE	

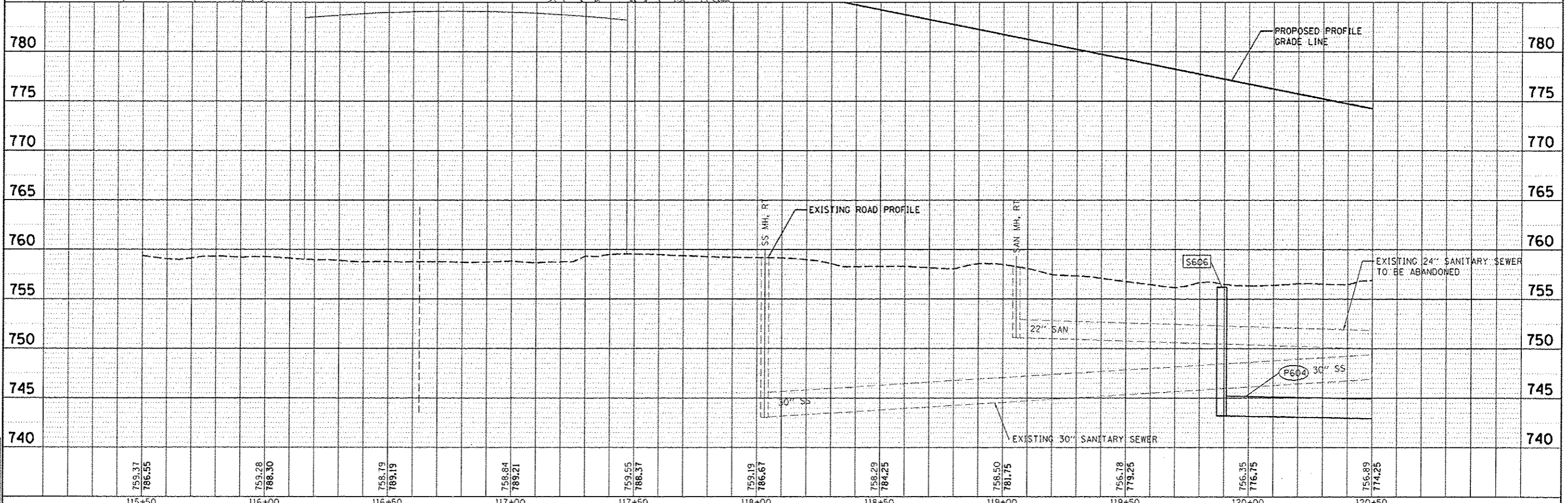
PROFILE	DATE
BY	
REVISIONS	
NO.	
DATE	
BY	
REVISIONS	
NO.	
DATE	

LAYOUT	DATE
BY	
REVISIONS	
NO.	
DATE	
BY	
REVISIONS	
NO.	
DATE	



PIPE NUMBER	US STRUCTURE	US INVERT	DS STRUCTURE	DS INVERT	TYPE	DIAMETER	LENGTH	SLOPE
P604	S606	743.20	S611	742.33	SANITARY SEWER 24"	24"	216.53'	0.40%

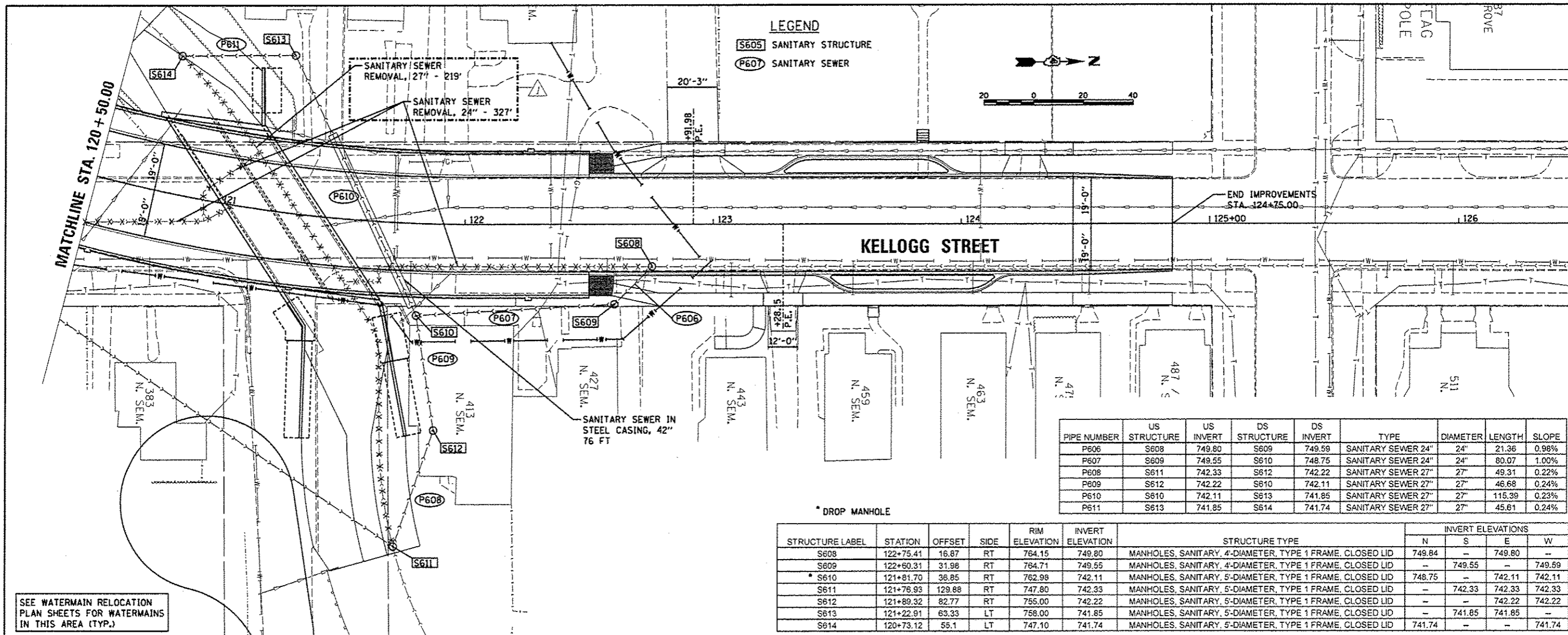
STRUCTURE LABEL	STATION	OFFSET	SIDE	RIM ELEVATION	INVERT ELEVATION	STRUCTURE TYPE	INVERT ELEVATIONS			
							N	S	E	W
S606	119+89.00	39.58	RT	756.54	743.20	* MANHOLES, SANITARY, 4'-DIAMETER, TYPE 1 FRAME, CLOSED LID	-	+750.4	743.20	-
						* DROP MANHOLE				



FILE NAME	USER NAME = breit00993	DESIGNED = GLS	REVISIONS = 07/22/2013 CFC	STATE OF ILLINOIS DEPARTMENT OF TRANSPORTATION		SANITARY SEWER PLAN NORTH KELLOGG STREET		F.A.U. R.T.E. = 6799	SECTION = 05-00501-21-CS	COUNTY = KNOX	TOTAL SHEETS = 269	SHEET NO. = 76
CR PROJECT NO 10002	PLOT SCALE = 3/4" = 1'	CHECKED = GLS	REVISIONS =	SCALE: 1" = 20'		SHEET NO. OF SHEETS STA. TO STA.		6800	ILLINOIS FED. AID PROJECT		CONTRACT NO. 89419	

DATE: _____
 BY: _____
 SURVEYED: _____
 PLOTTED: _____
 NOTE BOOK NO.: _____
 FILE NO.: _____

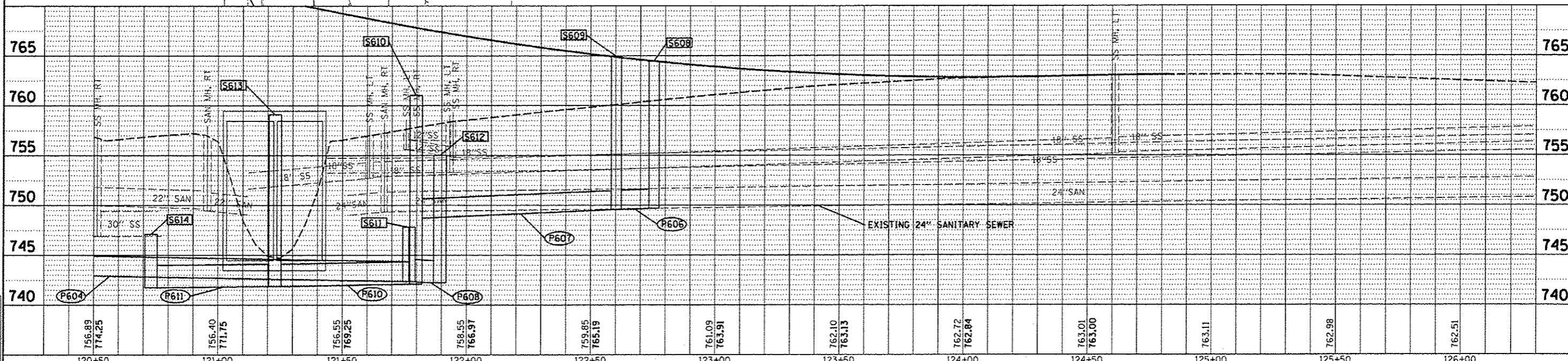
DATE: _____
 BY: _____
 SURVEYED: _____
 PLOTTED: _____
 NOTE BOOK NO.: _____
 FILE NO.: _____



PIPE NUMBER	US STRUCTURE	US INVERT	DS STRUCTURE	DS INVERT	TYPE	DIAMETER	LENGTH	SLOPE
P606	S608	749.80	S609	749.59	SANITARY SEWER 24"	24"	21.36	0.98%
P607	S609	749.55	S610	748.75	SANITARY SEWER 24"	24"	80.07	1.00%
P608	S611	742.33	S612	742.22	SANITARY SEWER 27"	27"	49.31	0.22%
P609	S612	742.22	S610	742.11	SANITARY SEWER 27"	27"	46.68	0.24%
P610	S610	742.11	S613	741.85	SANITARY SEWER 27"	27"	115.39	0.23%
P611	S613	741.85	S614	741.74	SANITARY SEWER 27"	27"	45.61	0.24%

STRUCTURE LABEL	STATION	OFFSET	SIDE	RIM ELEVATION	INVERT ELEVATION	STRUCTURE TYPE	INVERT ELEVATIONS			
							N	S	E	W
S608	122+75.41	16.87	RT	764.15	749.80	MANHOLES, SANITARY, 4-DIAMETER, TYPE 1 FRAME, CLOSED LID	749.84	-	749.80	-
S609	122+60.31	31.98	RT	764.71	749.55	MANHOLES, SANITARY, 4-DIAMETER, TYPE 1 FRAME, CLOSED LID	-	749.55	-	749.59
* S610	121+81.70	38.85	RT	762.98	742.11	MANHOLES, SANITARY, 5-DIAMETER, TYPE 1 FRAME, CLOSED LID	748.75	-	742.11	742.11
S611	121+76.93	129.88	RT	747.80	742.33	MANHOLES, SANITARY, 5-DIAMETER, TYPE 1 FRAME, CLOSED LID	-	742.33	742.33	742.33
S612	121+89.32	82.77	RT	755.00	742.22	MANHOLES, SANITARY, 5-DIAMETER, TYPE 1 FRAME, CLOSED LID	-	-	742.22	742.22
S613	121+22.91	63.33	LT	758.00	741.85	MANHOLES, SANITARY, 5-DIAMETER, TYPE 1 FRAME, CLOSED LID	-	741.85	741.85	-
S614	120+73.12	55.1	LT	747.10	741.74	MANHOLES, SANITARY, 5-DIAMETER, TYPE 1 FRAME, CLOSED LID	741.74	-	-	741.74

SEE WATERMAIN RELOCATION PLAN SHEETS FOR WATERMANS IN THIS AREA (TYP.)



120+50	121+00	121+50	122+00	122+50	123+00	123+50	124+00	124+50	125+00	125+50	126+00
756.89 774.25	756.40 771.75	756.55 769.25	758.55 766.97	759.85 765.19	761.09 763.91	762.10 763.13	762.72 762.84	763.01 763.00	763.11	762.98	762.51

STATE OF ILLINOIS
 DEPARTMENT OF TRANSPORTATION

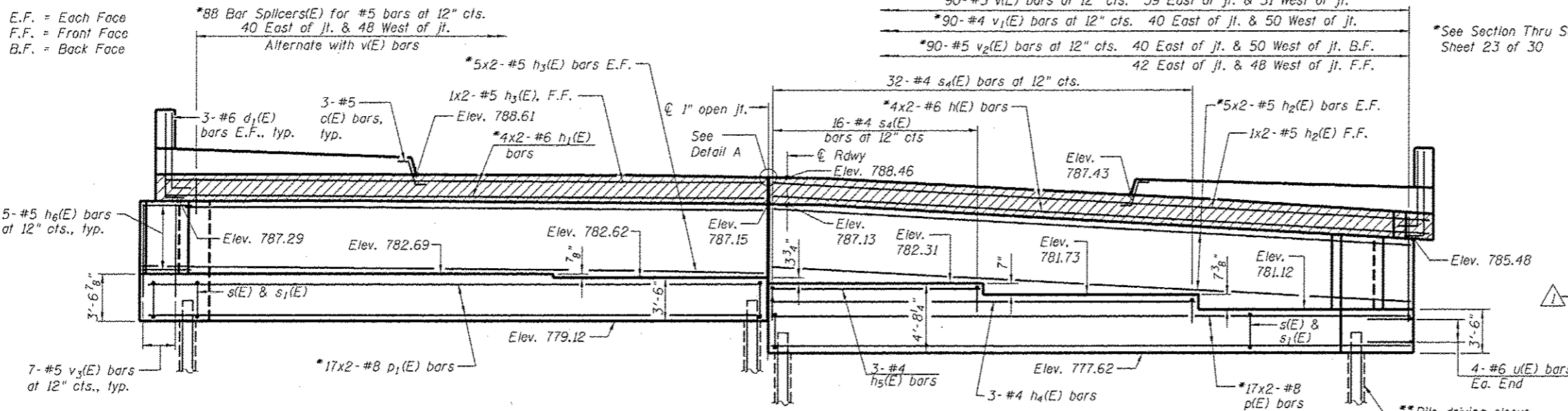
SANITARY SEWER PLAN
 NORTH KELLOGG STREET

F.A.U. R.T.E.	SECTION	COUNTY	TOTAL SHEETS	SHEET NO.
6799	05-00501-21-GS	KNOX	269	77
6800	CONTRACT NO. 89419			

SCALE: 1" = 20' SHEET NO. OF SHEETS STA. TO STA. 6801 ILLINOIS FED. AID PROJECT

FILE NAME *	USER NAME = brc100993	DESIGNED - GLS	REVISED - 07/22/2013 CFC
Default	PLOT SCALE = 39.9999 1/16"	CHECKED - GLS	REVISED -
DATE = 5/29/13	PLOT DATE = 07/23/2013	DATE = 5/29/13	REVISED -

E.F. = Each Face
 F.F. = Front Face
 B.F. = Back Face



ELEVATION
 (Looking South)

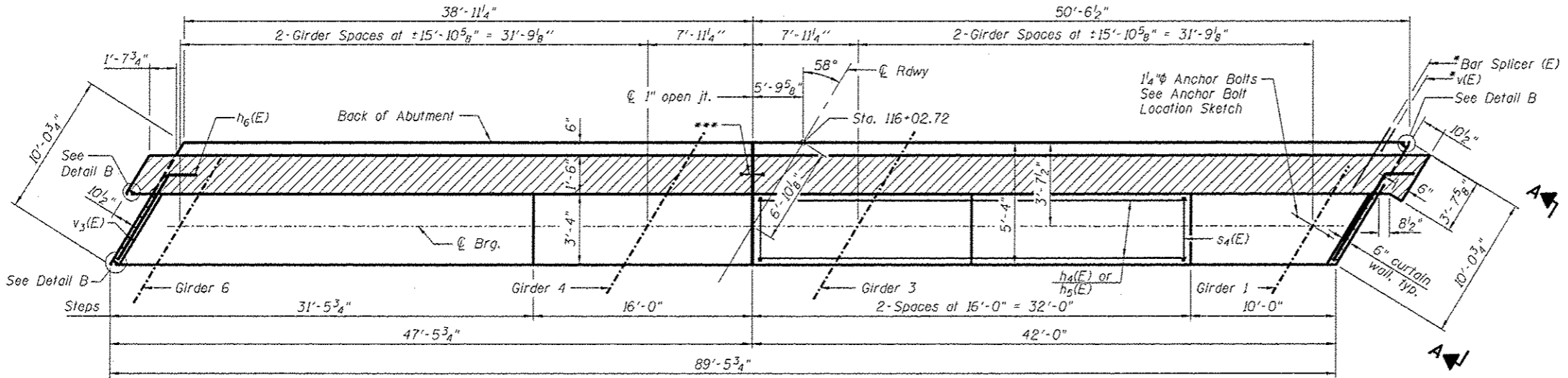
*See Section Thru South Abutment
 Sheet 23 of 30

PILE DATA

Type: Metal Shell 14" with 0.25" walls
 Nominal Required Bearing: 381 kip
 Factored Resistance Available: 209.5 kip
 Est. Length: 70'
 No. Production Piles: 19
 No. Test Piles: 1

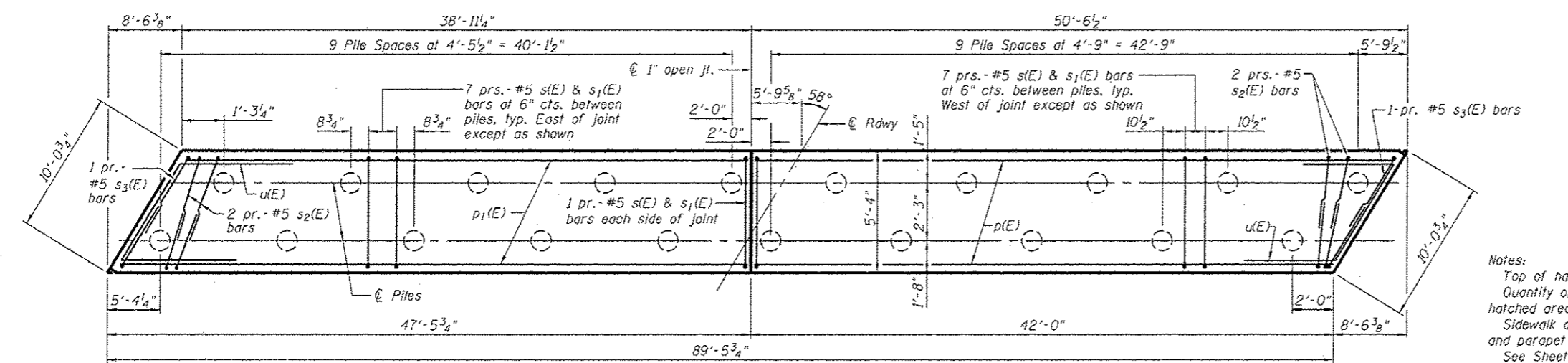
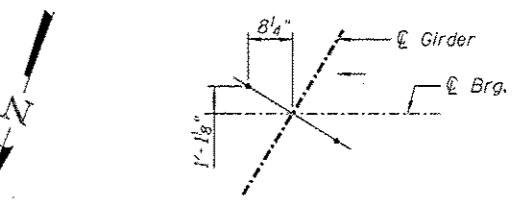
**Set pile sleeves to Elev. 756.0 prior to construction of the MSE wall. Piles shall be driven to the required Nominal Bearing before the MSE wall is constructed and re-tapped after the MSE wall is constructed to the abutment level and the subgrade is allowed to settle. Cost of any splicing, straightening and mobilization for re-tapping the piles is included in the cost of Driving Piles. See Retaining Wall plans for ground improvement details and requirements. After plans have been driven the pile sleeves shall be filled with dry loose sand according to Section 512.09(c) of the Standard Specifications. Cost of furnishing pile sleeves, setting pile sleeves, dry loose sand and placing dry loose sand is included in the cost of Driving Piles. It is the Contractor's responsibility to determine the size and type of pile sleeve required for the soil pressures encountered.

***5" hollow bulb dumbbell type nonmetallic water seal (6" from top of joint to bottom of cap)
 Cost included with Concrete Structures

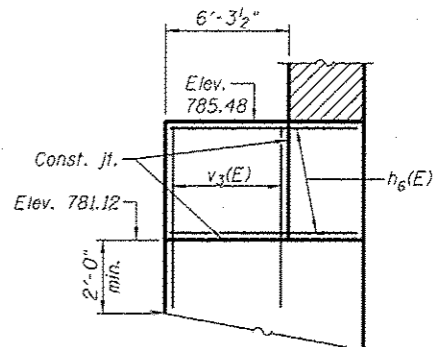


TOP VIEW

ANCHOR BOLT LOCATION SKETCH



PLAN - PILE CAP



VIEW A-A
 (Showing West curtain wall)

Notes:
 Top of hatch block elevations are at front face of abutment backwall. Quantity of concrete in sidewalk and parapet sections at abutment and hatched area is included with Concrete Superstructure on Sheet 9 of 30. Sidewalk and parapet sections at abutment are to be poured with sidewalk and parapet on approach slab as shown on Sheets 11 thru 13 of 30. See Sheet 23 of 30 for abutment details including Details A and B. Bars indicated thus 17x2-#5 etc. indicates 17 lines of bars with 2 lengths per line.

FILE NAME: c:\projects\048-6030\048-6030-21.dwg
 PROJECT NO: 048-6030
 DESIGNER: M.C.B.
 CHECKED: M.C.B.
 DRAWN: M.M.L.
 DATE: 5-24-2013

Coombe-Bloxdorf P.C.
 CIVIL ENGINEERS-
 STRUCTURAL ENGINEERS-
 LAND SURVEYORS
 Design Firm License No. 164-002703

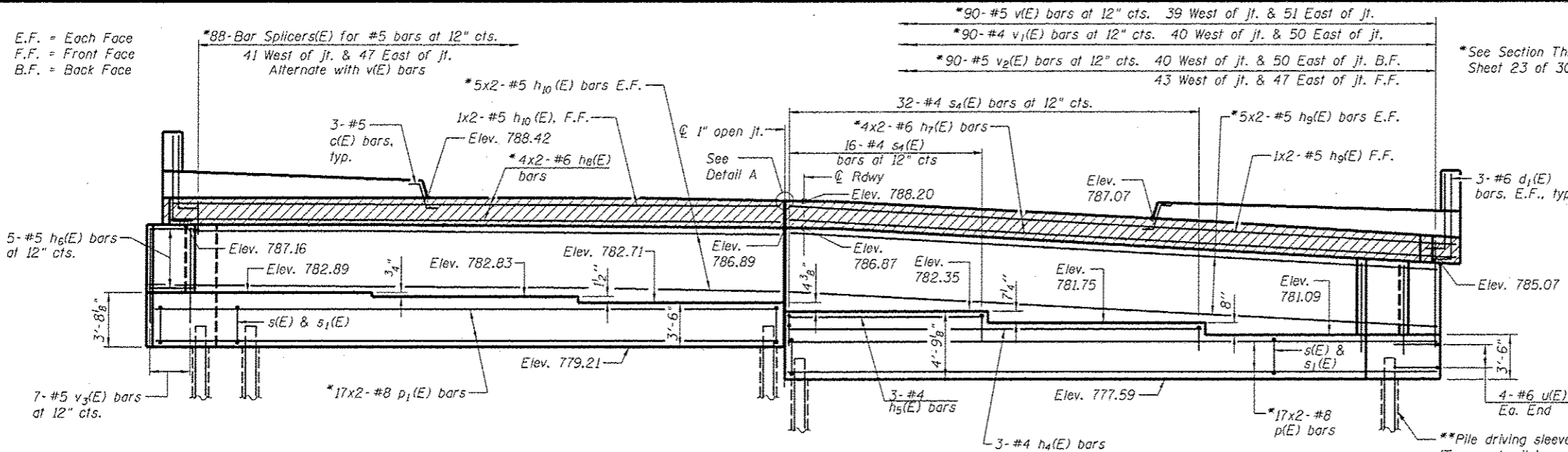
USER NAME: mcb1400993	DESIGNED: CME	REVISION: 1/7/22/2013 M.C.B.
FLAT SCALE: 0.1667 1/6"	CHECKED: GJB, MCB	REVISION:
FLAT DATE: 07-23-2013	DRAWN: MML	REVISION:
	DATE: 5-24-2013	REVISION:

STATE OF ILLINOIS
DEPARTMENT OF TRANSPORTATION

SOUTH ABUTMENT
STRUCTURE NO. 048-6030
 SHEET NO. 21 OF 30 SHEETS

F.A.U. RTE.	SECTION	COUNTY	TOTAL SHEETS	SHEET NO.
6801	05-00501-21-GS	KNOX	269	98
CONTRACT NO. 89419				
ILLINOIS FED. AID PROJECT				

E.F. = Each Face
 F.F. = Front Face
 B.F. = Back Face

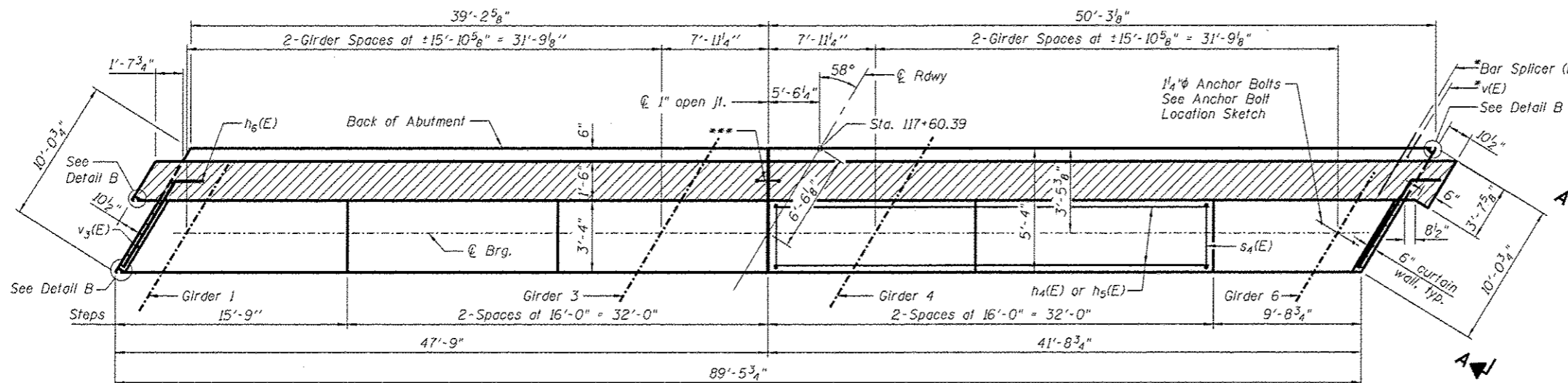


ELEVATION
 (Looking North)

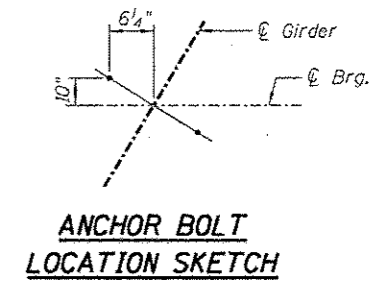
PILE DATA

Type: Metal Shell 14"Ø with 0.25" walls
 Nominal Required Bearing: 381 kip
 Factored Resistance Available: 209.5 kip
 Est. Length: 73'
 No. Production Piles: 19
 No. Test Piles: 1

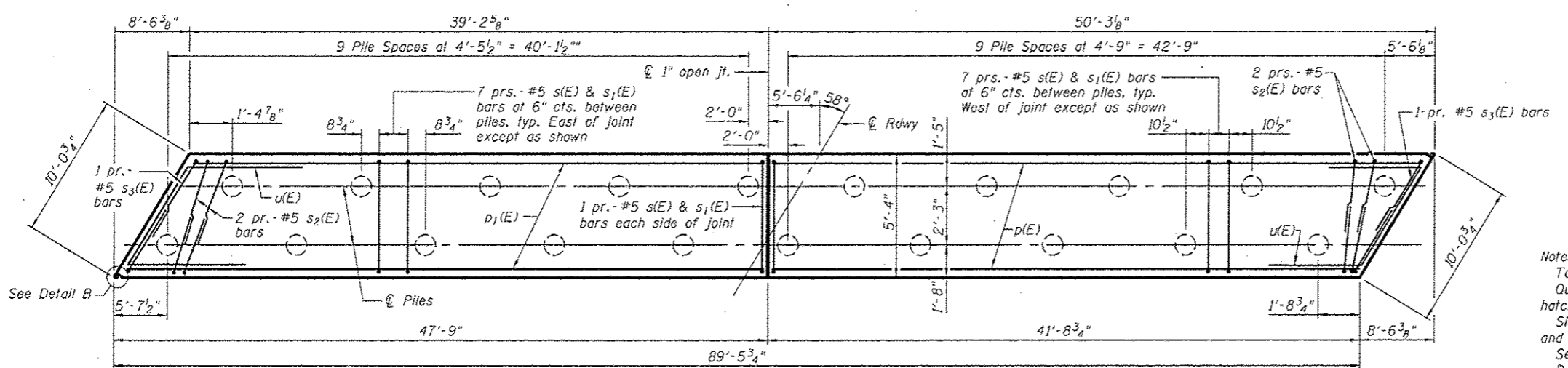
**Set pile sleeves to Elev. 756.0 prior to construction of the MSE wall. Piles shall be driven to the required Nominal Bearing before the MSE wall is constructed and re-tapped after the MSE wall is constructed to the abutment level and the subgrade is allowed to settle. Cost of any splicing, straightening and remobilization for re-tapping the piles is included in the cost of Driving Piles. See Retaining Wall plans for ground improvement details and requirements. After piles have been driven the pile sleeves shall be filled with dry loose sand according to Section 512.09(c) of the Standard Specifications. Cost of furnishing pile sleeves, setting pile sleeves, dry loose sand and placing dry loose sand is included in the cost of Driving Piles. It is the Contractor's responsibility to determine the size and type of pile sleeve required for the soil pressures encountered.



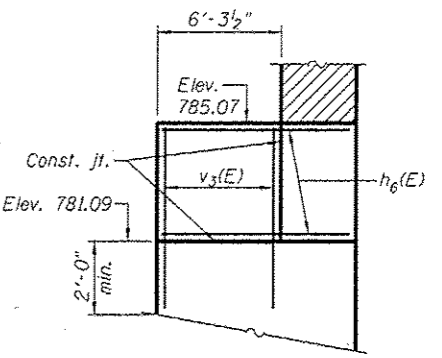
TOP VIEW



ANCHOR BOLT LOCATION SKETCH



PLAN - PILE CAP



VIEW A-A
 (Showing East curtain wall)

Notes:
 Top of hatch block elevations are at front face of abutment backwall.
 Quantity of concrete in sidewalk and parapet sections at abutment and hatched area is included with Concrete Superstructure on Sheet 9 of 30.
 Sidewalk and parapet sections at abutment are to be poured with sidewalk and parapet on approach slab as shown on Sheets 11 thru 13 of 30.
 See Sheet 23 of 30 for abutment details including Details A and B.
 Bars indicated thus 17x2-#5 etc. indicates 17 lines of bars with 2 lengths per line.

*** 6" hollow bulb dumbbell type nonmetallic water seal
 (6" from top of joint to bottom of cap)
 Cost included with Concrete Structures

FILE NAME: C:\Users\m... \AppData\Local\Temp\13974746486838-89619-822-abut-nd.dgn
 CB PROJECT NO.

Coombe-Bloedort P.C.
 CIVIL ENGINEERS-
 STRUCTURAL ENGINEERS-
 LAND SURVEYORS
 Design Firm License No. 104-002703

USER NAME	• brc100993
PLOT SCALE	• 0:2,0000 1" = 10'
PLOT DATE	• 07/23/2013

DESIGNED	- CME
CHECKED	- GJB, MCB
DRAWN	- MML
DATE	- 5-24-2013

REVISED	1/7/22/2013 M.C.B.
REVISED	-
REVISED	-
REVISED	-

STATE OF ILLINOIS
DEPARTMENT OF TRANSPORTATION

NORTH ABUTMENT
STRUCTURE NO. 048-6030
 SHEET NO. 22 OF 30 SHEETS

F.A.U. RTE.	SECTION	COUNTY	TOTAL SHEETS	SHEET NO.
6801	05-00501-21-05	KNOX	269	99
CONTRACT NO. 89419				
ILLINOIS FED. AID PROJECT				