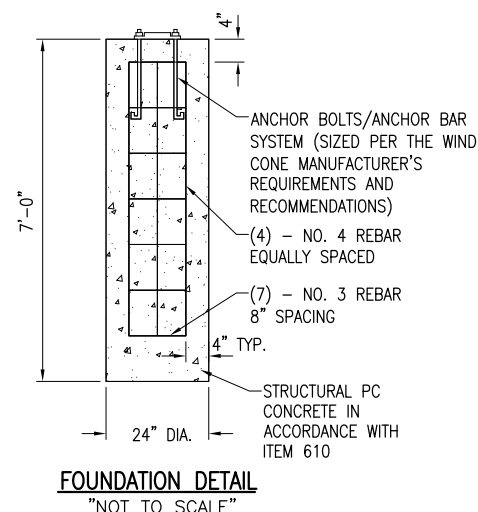


- NOTES:**
1. INCLUDE INTERNAL AND EXTERNAL GROUND LUGS.
 2. L-867 CAN FOR WIND CONE SHALL HAVE 2" HUB AT 0°, AND 3" HUB AT 180°. L-867 CAN WITH 2" HUB AT 0°, 2" HUB AT 90°, 2" HUB AT 180° IS ALSO ACCEPTABLE.



NOTES

1. WIND CONE SHALL INCLUDE CONSTANT-BRIGHTNESS SERIES CIRCUIT POWER ADAPTER.
2. THE RUNWAY LIGHTING SERIES CIRCUIT IS POWERED BY AN L-828 CLASS 1 - 6.6 AMP OUTPUT CURRENT, STYLE 1-3 BRIGHTNESS STEPS CONSTANT CURRENT REGULATOR. COORDINATE WITH THE RESPECTIVE WIND CONE MANUFACTURER TO PROVIDE A COMPATIBLE AND PROPERLY SIZED SERIES ISOLATION TRANSFORMER.
3. THE EXISTING CONSTANT CURRENT REGULATOR POWERING THE SERIES CIRCUIT FOR THE WIND CONE HAS BEEN SIZED FOR THE RESPECTIVE RUNWAY LIGHTING LOADS AND A WIND CONE THAT HAS A LOAD OF LESS THAN 200VA AND DOES NOT REQUIRE A SERIES ISOLATION TRANSFORMER LARGER THAN A 300 WATT RATING. IN THE EVENT THAT A WIND CONE IS PROPOSED THAT EXCEEDS THIS RATING, THE CONTRACTOR SHALL BE RESPONSIBLE TO ENSURE THAT THE RESPECTIVE CONSTANT CURRENT REGULATOR IS PROPERLY SIZED FOR THE TOTAL SERIES CIRCUIT LOAD. WHERE A WIND CONE IS PROPOSED THAT REQUIRES LOADS THAT EXCEED THE RATING OF THE RESPECTIVE CONSTANT CURRENT REGULATOR, THE CONTRACTOR SHALL BE RESPONSIBLE FOR ALL ADJUSTMENTS INCLUDING PROVIDING A LARGER CONSTANT CURRENT REGULATOR AND ALL ASSOCIATED CIRCUIT BREAKERS, CONDUITS, WIRING AND VAULT WORK AS APPLICABLE TO ACCOMMODATE THE RESPECTIVE SERIES CIRCUIT LOAD WITH THE WIND CONE.
4. L-807 OR L-807(L) WIND CONE WILL BE PAID FOR UNDER ITEM AR107812 L-807 WC-12' INTERNALLY LIT PER EACH. SPLICE CANS FOR WIND CONE SERIES CIRCUIT TRANSFORMER WILL BE INCIDENTAL TO THE RESPECTIVE WIND CONE PAY ITEM.
5. REBAR SHALL BE MANUFACTURED FROM 100% DOMESTIC STEEL. INCLUDE CERTIFICATION OF 100% DOMESTIC STEEL WITH SHOP DRAWING SUBMITTAL.

INTERNALLY LIGHTED L-807 WIND CONE
"NOT TO SCALE"

REVISION	DATE	UPDATE PER
12-2 & EB67D	03/09/12	PER FAA PGL

MACOMB MUNICIPAL AIRPORT
MACOMB, ILLINOIS

BLOCK GRANT PROJ.: 3-17-0064-B21
IL PROJ.: MGB-4206

DESCRIPTION	DATE
LAYOUT	01/13/13
DRAWN	01/15/13
REVIEWED	02/04/13



© Copyright Hanson Professional Services Inc. 2013
Hanson Professional Services Inc.
1425 South Main Street
Springfield, Illinois 62703-2886

REPLACE VAULT, AIRFIELD
LIGHTING AND GUIDANCE SIGNS

L-807 WIND CONE
ELEVATION DETAIL