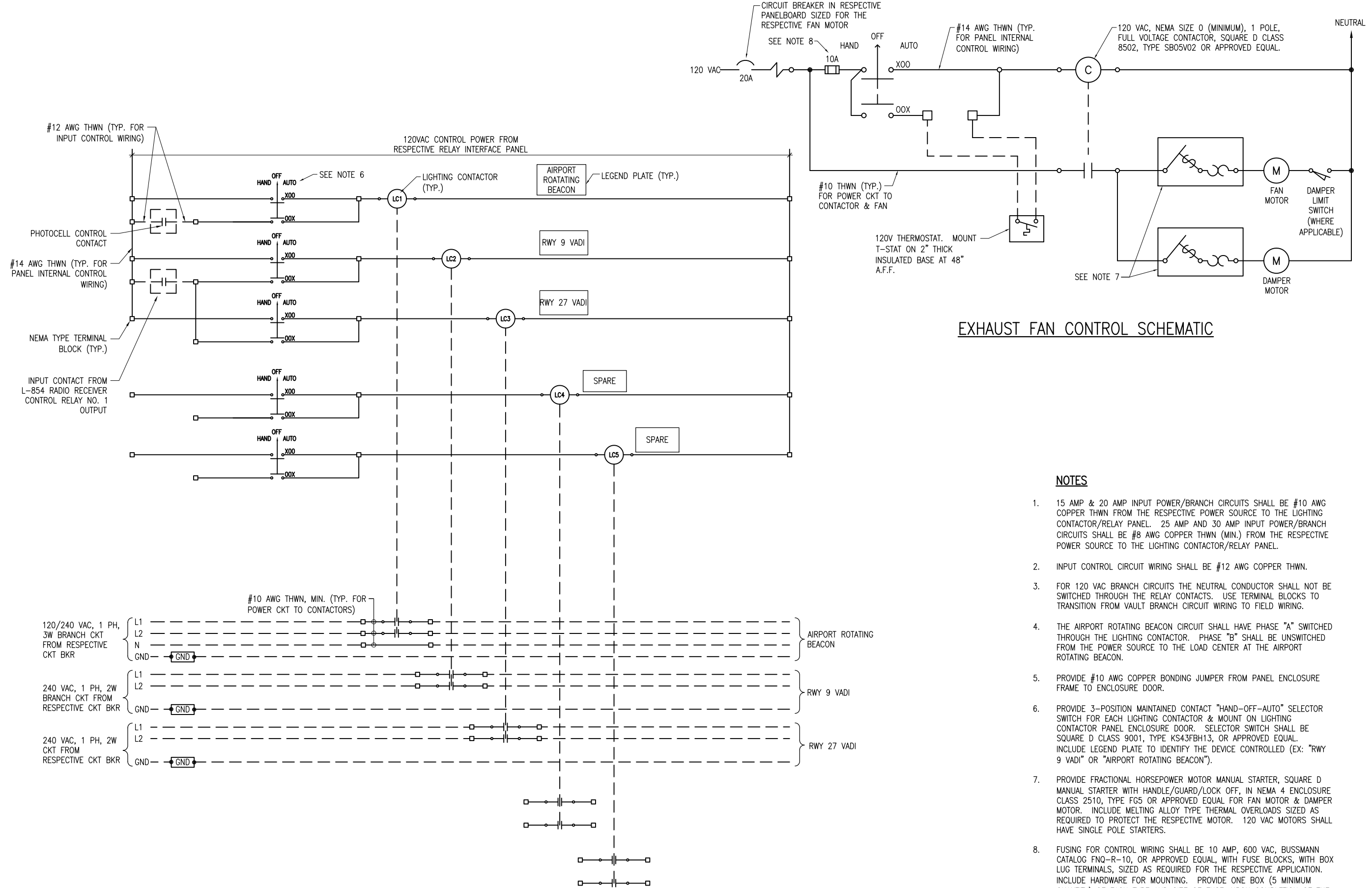


JUN 17, 2013 12:14 PM HARR01115
 pw:\sps-sv306\hanson\Documents\120053\120053D\CAD\Airport\Sheet\E-603-SCM

MB029



EXHAUST FAN CONTROL SCHEMATIC

NOTES

- 15 AMP & 20 AMP INPUT POWER/BRANCH CIRCUITS SHALL BE #10 AWG COPPER THWN FROM THE RESPECTIVE POWER SOURCE TO THE LIGHTING CONTACTOR/RELAY PANEL. 25 AMP AND 30 AMP INPUT POWER/BRANCH CIRCUITS SHALL BE #8 AWG COPPER THWN (MIN.) FROM THE RESPECTIVE POWER SOURCE TO THE LIGHTING CONTACTOR/RELAY PANEL.
- INPUT CONTROL CIRCUIT WIRING SHALL BE #12 AWG COPPER THWN.
- FOR 120 VAC BRANCH CIRCUITS THE NEUTRAL CONDUCTOR SHALL NOT BE SWITCHED THROUGH THE RELAY CONTACTS. USE TERMINAL BLOCKS TO TRANSITION FROM VAULT BRANCH CIRCUIT WIRING TO FIELD WIRING.
- THE AIRPORT ROTATING BEACON CIRCUIT SHALL HAVE PHASE "A" SWITCHED THROUGH THE LIGHTING CONTACTOR. PHASE "B" SHALL BE UNSWITCHED FROM THE POWER SOURCE TO THE LOAD CENTER AT THE AIRPORT ROTATING BEACON.
- PROVIDE #10 AWG COPPER BONDING JUMPER FROM PANEL ENCLOSURE FRAME TO ENCLOSURE DOOR.
- PROVIDE 3-POSITION MAINTAINED CONTACT "HAND-OFF-AUTO" SELECTOR SWITCH FOR EACH LIGHTING CONTACTOR & MOUNT ON LIGHTING CONTACTOR PANEL ENCLOSURE DOOR. SELECTOR SWITCH SHALL BE SQUARE D CLASS 9001, TYPE KS43FB13, OR APPROVED EQUAL. INCLUDE LEGEND PLATE TO IDENTIFY THE DEVICE CONTROLLED (EX: "RWY 9 VADI" OR "AIRPORT ROTATING BEACON").
- PROVIDE FRACTIONAL HORSEPOWER MOTOR MANUAL STARTER, SQUARE D MANUAL STARTER WITH HANDLE/GUARD/LOCK OFF, IN NEMA 4 ENCLOSURE CLASS 2510, TYPE FG5 OR APPROVED EQUAL FOR FAN MOTOR & DAMPER MOTOR. INCLUDE MELTING ALLOY TYPE THERMAL OVERLOADS SIZED AS REQUIRED TO PROTECT THE RESPECTIVE MOTOR. 120 VAC MOTORS SHALL HAVE SINGLE POLE STARTERS.
- FUSING FOR CONTROL WIRING SHALL BE 10 AMP, 600 VAC, BUSSMANN CATALOG FNQ-R-10, OR APPROVED EQUAL, WITH FUSE BLOCKS, WITH BOX LUG TERMINALS, SIZED AS REQUIRED FOR THE RESPECTIVE APPLICATION. INCLUDE HARDWARE FOR MOUNTING. PROVIDE ONE BOX (5 MINIMUM QUANTITY) OF EACH TYPE AND SIZE OF FUSE, UPON COMPLETION OF THE JOB FOR USE AS SPARES.

REVISION	DATE	REMOVED PARTS/VASIS TO REMAIN
06/12/13		

MACOMB MUNICIPAL AIRPORT
 MACOMB, ILLINOIS
 BLOCK GRANT PROJ.: 3-17-0064-B21
 IL PROJ.: MCB-4206

Hanson Proj. No. 1200053	01/13/13
Filename E-603-SCM.dwg	KNL
Scale AS SHOWN	TRR
Date 06/17/13	02/04/13
LAYOUT	REVIEWED
DRAWN	REVIEWED



REPLACE VAULT, AIRFIELD LIGHTING AND GUIDANCE SIGNS
 LIGHTING CONTACTOR PANEL SCHEMATIC