

STATE OF ILLINOIS
DEPARTMENT OF TRANSPORTATION

F.A.P. RTE.	SECTION	COUNTY	TOTAL SHEETS	SHEET NO.
75, 714	(134, 135) PP	CHRISTIAN	22	1
ILLINOIS			CONTRACT NO. 72L34	

D-96-057-19

FOR INDEX OF SHEETS, SEE SHEET NO. 2

PROPOSED IMPROVEMENTS

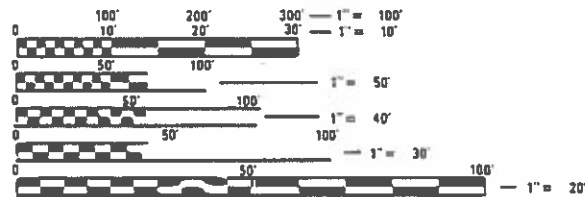
FAP 75, FAP 714 (IL 29, IL 48)
SECTION (134, 135) PP
PATCHING

CHRISTIAN CO.

C-96-070-19



ADT = 6,800
SU = 150
MU = 225

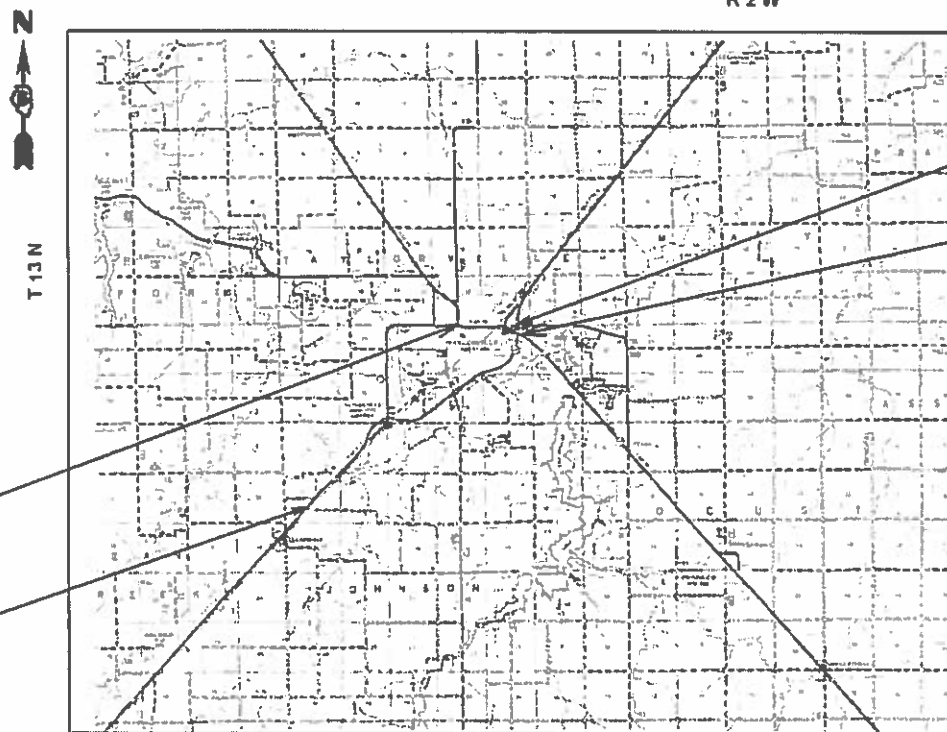


FULL SIZE PLANS HAVE BEEN PREPARED USING STANDARD ENGINEERING SCALES. REDUCED SIZED PLANS WILL NOT CONFORM TO STANDARD SCALES. IN MAKING MEASUREMENTS ON REDUCED PLANS, THE ABOVE SCALES MAY BE USED.

JULIE.
JOINT UTILITY LOCATION INFORMATION FOR EXCAVATION
1-800-892-0123
OR 811

START LOCATION #1
STA. 578+63.40

END LOCATION #2
STA 188+05.00



START LOCATION #2
STA. 45+02.20

END LOCATION #1
STA. 31+50.00

STATION EQ. LOCATION #1
583+24.00bk=47+07.92ah
87+81.23bk=7+18.82ah

STATION EQ. LOCATION #2
68+12.31bk=23+53.94ah
112+99.14bk=112+97.33ah

PROJECT ENGINEER : MIKE IRWIN - (217)524-7765
PROJECT MANAGER : TIMOTHY SHARP - (217)524-9160

CONTRACT NO. 72L34

STATE OF ILLINOIS
DEPARTMENT OF TRANSPORTATION

SUBMITTED May 29 2019
Jeffrey P. Meyer
REGION FOUR ENGINEER

June 28 2019
Scott A. Etkin
ENGINEER OF DESIGN AND ENVIRONMENT

June 28 2019
David P. Chaffin
DIRECTOR OF HIGHWAYS PROJECT IMPLEMENTATION

PRINTED BY THE AUTHORITY
OF THE STATE OF ILLINOIS

INDEX OF SHEETS

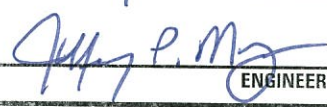

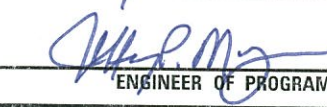
SHEET NO.	DESCRIPTION
1.	COVER SHEET
2.	INDEX OF SHEETS, STANDARDS, GENERAL NOTES & SIGNATURES
3.	SUMMARY OF QUANTITIES
4.	SCHEDULES
5.-6.	LOCATION MAPS
7-22.	PROJECT TYPICAL SECTIONS

STANDARDS

STANDARD NO.	DESCRIPTION
000001-07	STANDARD SYMBOLS, ABBREVIATIONS AND PATTERNS
442201-03	CLASS C & D PATCHES
701201-05	LANE CLOSURE, 2L, 2W, DAY ONLY, FOR SPEEDS ≥ 45 MPH
701501-06	URBAN LANE CLOSURE, 2L, 2W, UNDIVIDED
701502-09	URBAN LANE CLOSURE, 2L, 2W, WITH BIDIRECTIONAL LEFT TURN LANE
701602-10	URBAN LANE CLOSURE, 2W, WITH BIDIRECTIONAL LEFT TURN LANE
701701-10	URBAN LANE CLOSURE, MULTILANE INTERSECCION
701901-08	TRAFFIC CONTROL DEVICES
780001-05	TYPICAL PAVEMENT MARKINGS

NOTES:

D-6 OPERATIONS WILL PLACE PERMANENT PAVEMENT MARKINGS

STATE OF ILLINOIS DEPARTMENT OF TRANSPORTATION DIVISION OF HIGHWAYS DISTRICT 6	
EXAMINED	<u>May 24</u> 20 <u>19</u>  ENGINEER OF OPERATIONS
EXAMINED	<u>May 24</u> 20 <u>19</u>  ENGINEER OF PROJECT IMPLEMENTATION
EXAMINED	<u>May 24</u> 20 <u>19</u>  ENGINEER OF PROGRAM DEVELOPMENT

FILE NAME =	USER NAME = sharptd	DESIGNED -	REVISED -	STATE OF ILLINOIS DEPARTMENT OF TRANSPORTATION	INDEX OF SHEETS, STANDARDS GENERAL NOTES, SIGNATURES	F.A.P. RTE.	SECTION	COUNTY	TOTAL SHEETS	SHEET NO.
S:\CONTRMAINT_CAD\72L34 - working files\	lans\72L34-sht-2-gennote.dgn	DRAWN - DMS	REVISED -			75.714	(134, 135) PP	CHRISTIAN	22	2
Default	PLOT SCALE = 40.0000' / in.	CHECKED -	REVISED -		SCALE: _____ SHEET _____ OF _____ SHEETS STA. _____ TO STA. _____					
	PLOT DATE = 5/29/2019	DATE -	REVISED -							CONTRACT NO. 72L34
										ILLINOIS FED. AID PROJECT

CODE NO.	ITEM	UNIT	TOTAL QUANTITY	IL 29	IL 48
				0-02174-6010 100% STATE CHRISTIAN ROADWAY 0006 URBAN	0-02174-6010 100% STATE CHRISTIAN ROADWAY 0006 URBAN
44201377	CLASS C PATCHES, TYPE II, 12 INCH	SQ YD	392	64	328
44201381	CLASS C PATCHES, TYPE III, 12 INCH	SQ YD	140	60	80
44201383	CLASS C PATCHES, TYPE IV, 12 INCH	SQ YD	75	75	0
44201415	CLASS C PATCHES, TYPE II, 15 INCH	SQ YD	64	64	0
44201419	CLASS C PATCHES, TYPE III, 15 INCH	SQ YD	60	60	0
44201421	CLASS C PATCHES, TYPE IV, 15 INCH	SQ YD	75	75	0
67100100	MOBILIZATION	L SUM	1	0.5	0.5
70100450	TRAFFIC CONTROL AND PROTECTION, STANDARD 701201	L SUM	1	0	1
70102620	TRAFFIC CONTROL AND PROTECTION, STANDARD 701501	L SUM	1	1	0
X7010216	TRAFFIC CONTROL AND PROTECTION, (SPECIAL)	L SUM	1	1	0

	CLASS C PATCHES, 12 INCH			CLASS C PATCHES, 13 INCH		
	TY II (S.Y.)	TY III (S.Y.)	TY IV (S.Y.)	TY II (S.Y.)	TY III (S.Y.)	TY IV (S.Y.)
IL 29 in Taylorville from Webster St to Pershing Ave.						
	64.0	60.0	75.0	64.0	60.0	75.0
IL 48 S. of Taylorville from 2.1 MI S of Spreser to Lincoln Trail						
	328.0	80.0	0.0	0.0	0.0	0.0
TOTAL	392.0	140.0	75.0	64.0	60.0	75.0

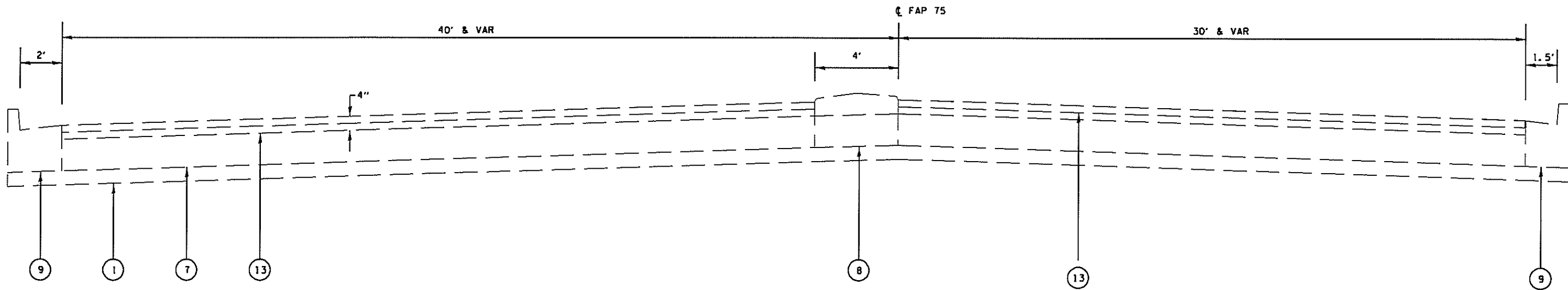


START PROJECT
STA. 578+63.40

END PROJECT
STA. 31+50.00

STATION E0
583+24.00bk=47+07.92ah
87+81.23bk=7+18.82ah

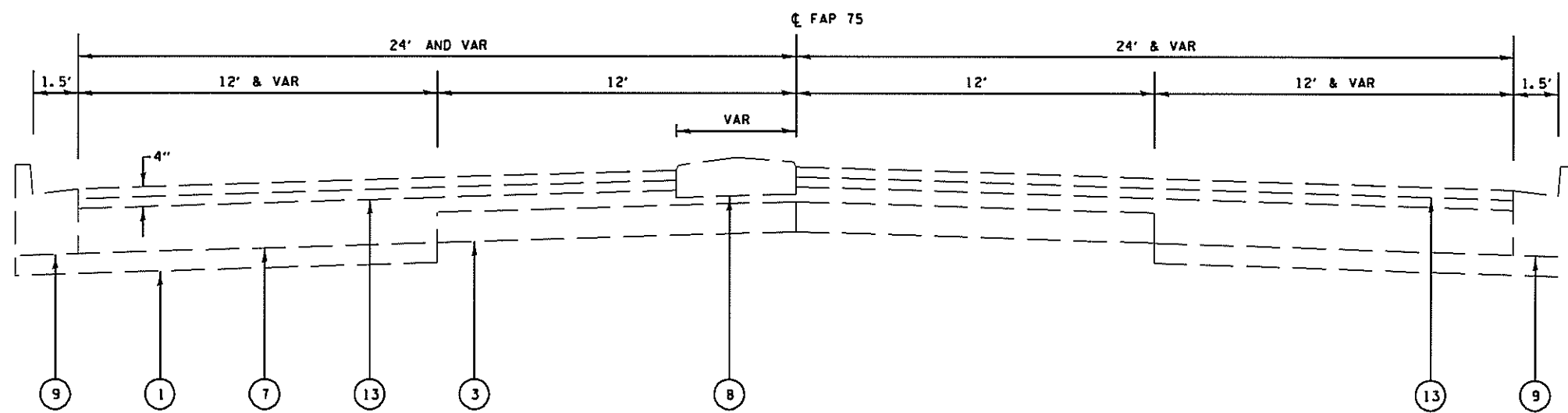
FILE NAME = SYCONTRMAINT.CAD\72L34 - working files\	USER NAME = sharp1d jans\72L34-SHT-5-locations.dgn	DESIGNED - DRAWN -	REVISED - REVISED -	STATE OF ILLINOIS DEPARTMENT OF TRANSPORTATION	PROJECT LOCATION #1									
Default	PLOT SCALE = 3.0000 "/td> <td>CHECKED -</td> <td>REVISED -</td> <td>SCALE:</td> <td>SHEET 1</td> <td>OF 2 SHEETS</td> <td>STA.</td> <td>TO STA.</td> <td>F.A.P. RTE. 75.714</td> <td>SECTION 1134, 1351 PP</td> <td>COUNTY CHRISTIAN</td> <td>TOTAL SHEETS 22</td> <td>SHEET NO. 5</td>	CHECKED -	REVISED -		SCALE:	SHEET 1	OF 2 SHEETS	STA.	TO STA.	F.A.P. RTE. 75.714	SECTION 1134, 1351 PP	COUNTY CHRISTIAN	TOTAL SHEETS 22	SHEET NO. 5
	PLOT DATE = 5/29/2019	DATE -	REVISED -		CONTRACT NO. 72L34									
<small>ILLINOIS FED. AID PROJECT</small>														



STA 578+63.40 TO STA 582+13.39

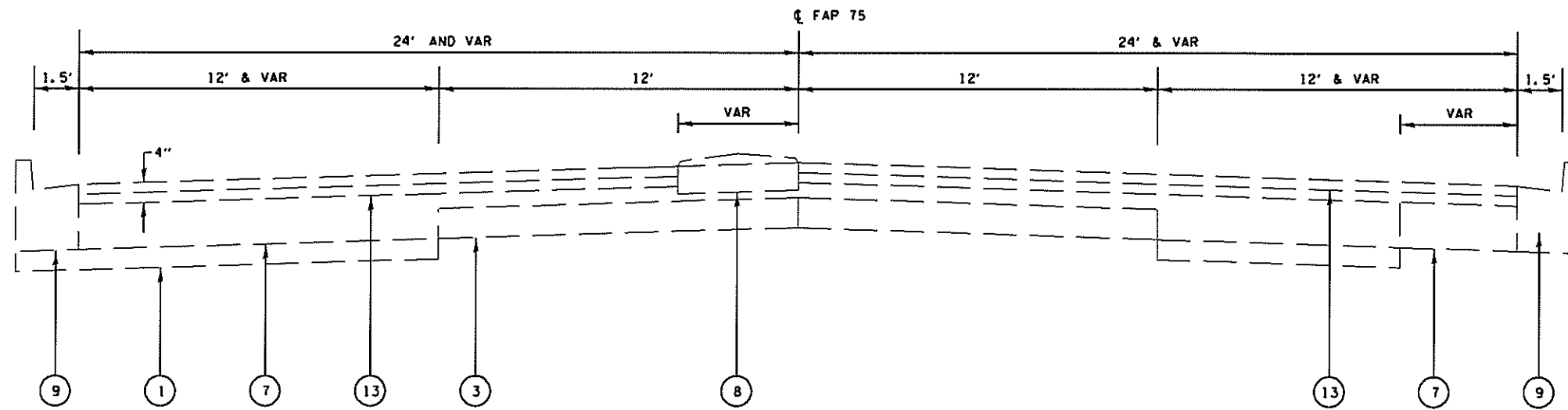
LEGEND

- 1 EX SUB-BASE GRANULAR MATERIAL, 4" & VAR
- 2 EX 1/2" DEFORMED BAR AND LONGITUDINAL METAL JOINT
- 3 EX PCC PAVEMENT WITH HOT-MIX ASPHALT
- 4 EX CONCRETE BASE, 6" AND BRICK PAVEMENT, 3"
- 5 EX CONCRETE WIDENING
- 6 EX PCC BASE COURSE, 9"
- 7 EX HOT-MIX ASPHALT BASE COURSE, 9" & VAR
- 8 EX CONCRETE MEDIAN, TYPE C-4
- 9 EX COMBINATION CONCRETE CURB AND GUTTER
- 10 EX CONCRETE GUTTER
- 11 EX AGGREGATE SHOULDERS
- 12 EX SIDEWALK
- 13 EX HOT-MIX ASPHALT SURFACE COURSE
- 14 EX HOT-MIX ASPHALT SHOULDERS, 8"

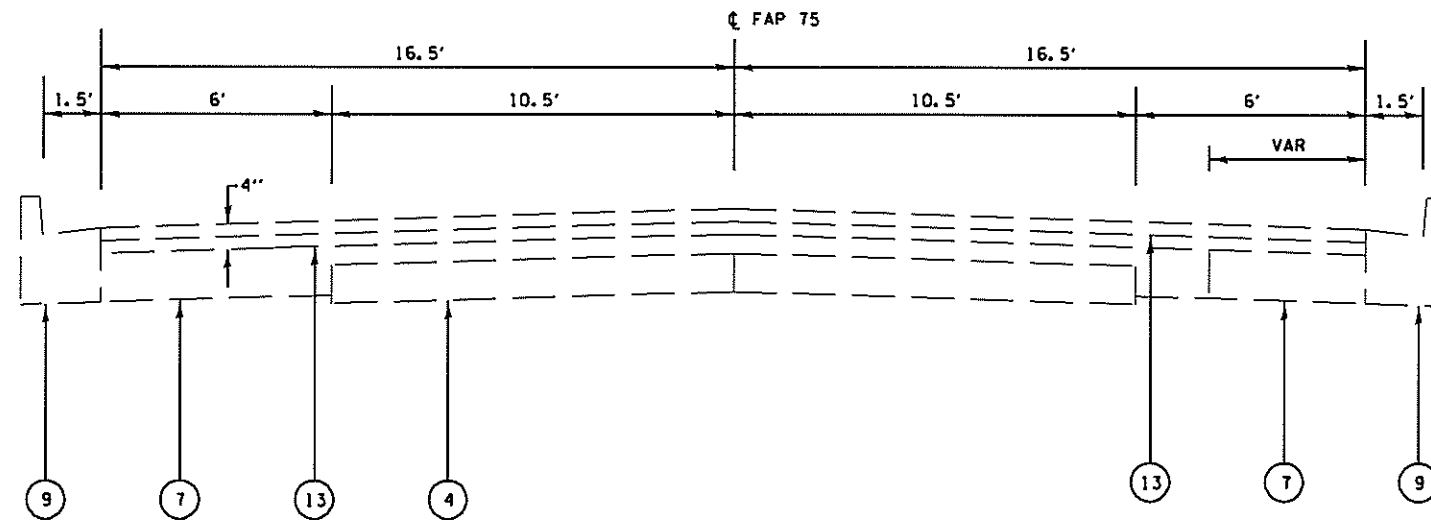


STA 582+13.39 TO STA 583+11.84

FILE NAME =	USER NAME = sherptd	DESIGNED -	REVISED -	STATE OF ILLINOIS DEPARTMENT OF TRANSPORTATION	TYPICALS - LOCATION #1			F.A.P. RTE.	SECTION	COUNTY	TOTAL SHEETS	SHEET NO.
S:\CONTRMAINT\CAD\72L34 - working files\	lans\72L34-SHT-7-typicals.dgn	DRAWN -	REVISED -					75,714	(134, 135) PP	CHRISTIAN	22	7
Default	PLOT SCALE = 5.0000 ' / in.	CHECKED -	REVISED -		SCALE: SHEET OF SHEETS STA. TO STA.			CONTRACT NO. 72L34				
	PLOT DATE = 5/21/2019	DATE -	REVISED -		ILLINOIS FED. AID PROJECT							



STA 583+11.84 TO STA 583+24.00 BK
 STA 47+07.92 AH TO STA 49+22.23

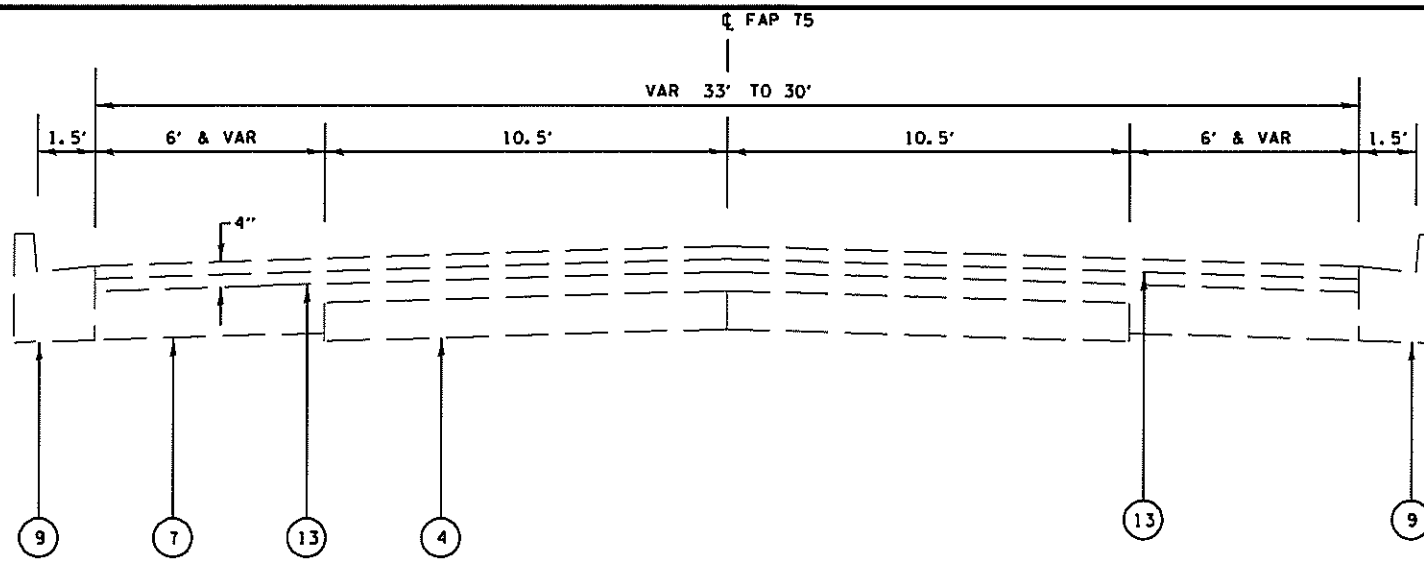


STA 49+22.23 TO STA 54+21.86

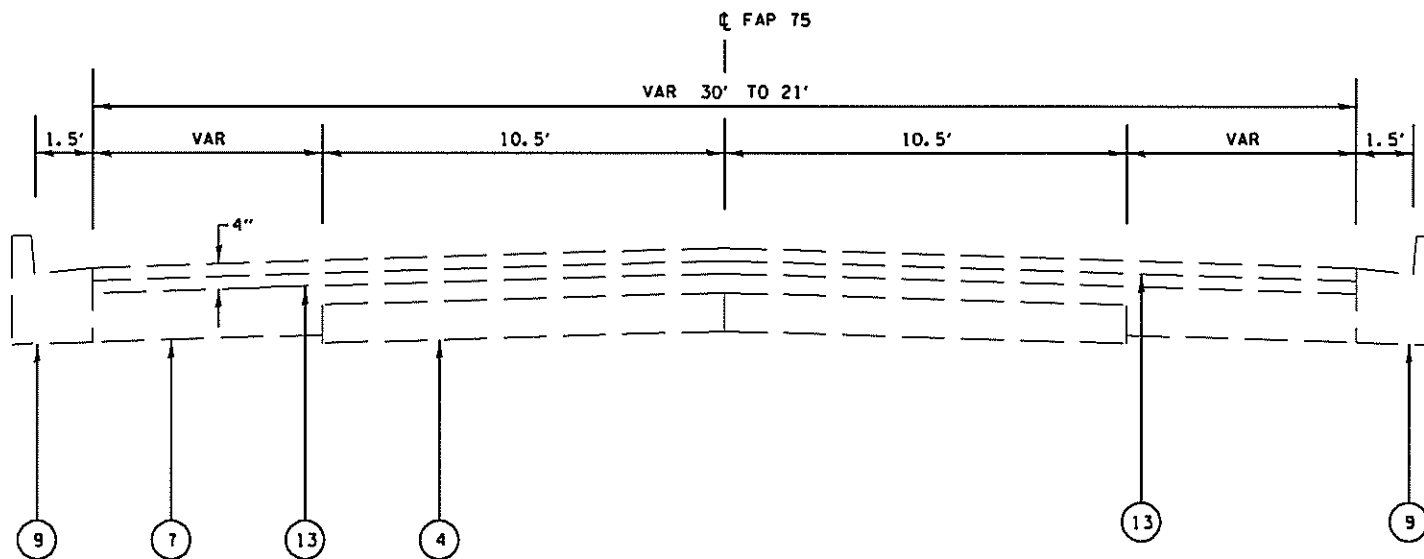
LEGEND

- 1 EX SUB-BASE GRANULAR MATERIAL, 4" & VAR
- 2 EX 1/2" DEFORMED BAR AND LONGITUDINAL METAL JOINT
- 3 EX PCC PAVEMENT WITH HOT-MIX ASPHALT
- 4 EX CONCRETE BASE, 6" AND BRICK PAVEMENT, 3"
- 5 EX CONCRETE WIDENING
- 6 EX PCC BASE COURSE, 9"
- 7 EX HOT-MIX ASPHALT BASE COURSE, 9" & VAR
- 8 EX CONCRETE MEDIAN, TYPE C-4
- 9 EX COMBINATION CONCRETE CURB AND GUTTER
- 10 EX CONCRETE GUTTER
- 11 EX AGGREGATE SHOULDERS
- 12 EX SIDEWALK
- 13 EX HOT-MIX ASPHALT SURFACE COURSE
- 14 EX HOT-MIX ASPHALT SHOULDERS, 8"

FILE NAME =	USER NAME = shorptd	DESIGNED -	REVISED -	STATE OF ILLINOIS DEPARTMENT OF TRANSPORTATION	TYPICALS			F.A.P. RTE.	SECTION	COUNTY	TOTAL SHEETS	SHEET NO.
S:\CONTRMAINT\CAD\72L34 - working File\	lans\72L34-SHT-7-uprcoals.dgn	DRAWN -	REVISED -					75.714	(134, 135) PP	CHRISTIAN	22	8
Default	PLOT SCALE = 5.0000 ' / in.	CHECKED -	REVISED -		SCALE:	SHEET	OF	SHEETS	STA.	TO STA.	CONTRACT NO. 72L34	
	PLOT DATE = 5/21/2019	DATE -	REVISED -								ILLINOIS FED. AID PROJECT	



STA 54+21.86 TO STA 55+36.91

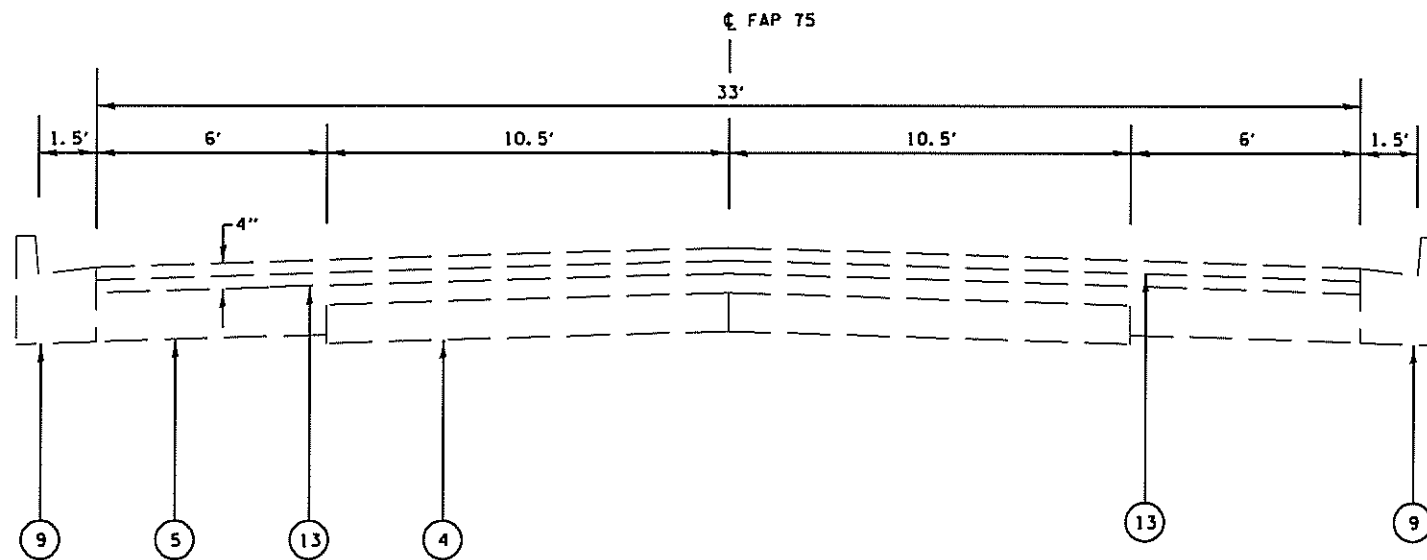


STA 55+36.91 TO STA 56+91.94

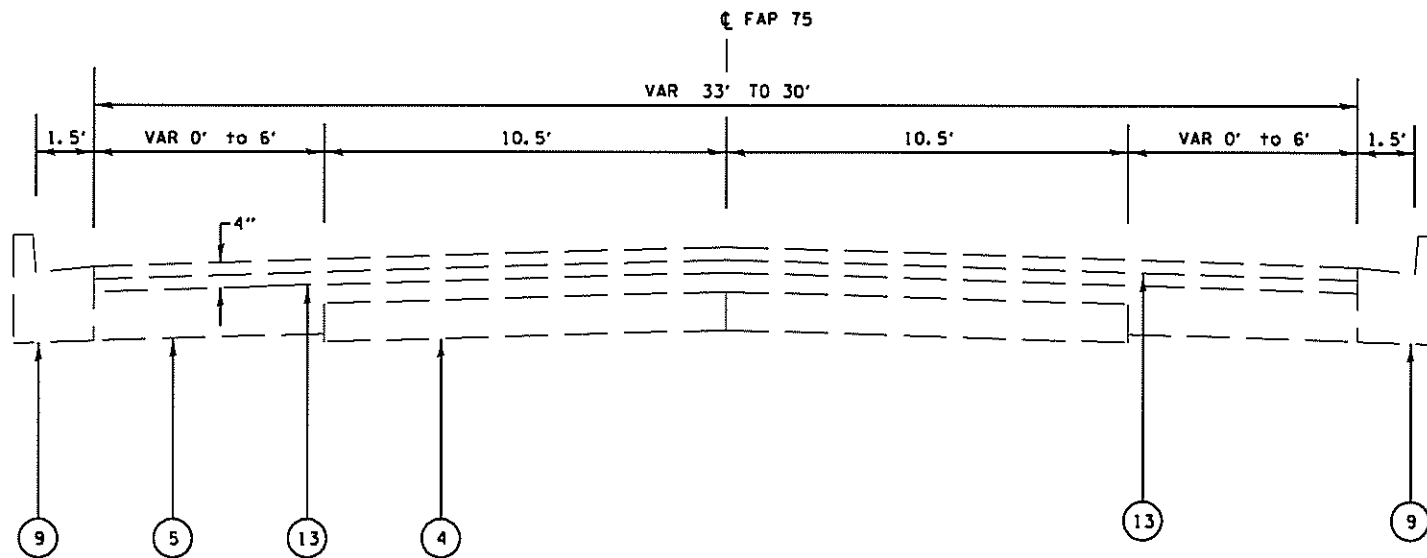
LEGEND

- 1 EX SUB-BASE GRANULAR MATERIAL, 4" & VAR
- 2 EX 1/2" DEFORMED BAR AND LONGITUDINAL METAL JOINT
- 3 EX PCC PAVEMENT WITH HOT-MIX ASPHALT
- 4 EX CONCRETE BASE, 6" AND BRICK PAVEMENT, 3"
- 5 EX CONCRETE WIDENING
- 6 EX PCC BASE COURSE, 9"
- 7 EX HOT-MIX ASPHALT BASE COURSE, 9" & VAR
- 8 EX CONCRETE MEDIAN, TYPE C-4
- 9 EX COMBINATION CONCRETE CURB AND GUTTER
- 10 EX CONCRETE GUTTER
- 11 EX AGGREGATE SHOULDERS
- 12 EX SIDEWALK
- 13 EX HOT-MIX ASPHALT SURFACE COURSE
- 14 EX HOT-MIX ASPHALT SHOULDERS, 8"

FILE NAME =	USER NAME = sharptd	DESIGNED -	REVISED -	STATE OF ILLINOIS DEPARTMENT OF TRANSPORTATION	TYPICALS			F.A.P. RTE.	SECTION	COUNTY	TOTAL SHEETS	SHEET NO.
S:\CONTRMAINT_CAD\72L34 - working files\	hana\72L34-SHT-7-typticals.dgn	DRAWN -	REVISED -					75.714	(134, 135) PP	CHRISTIAN	22	9
Default	PLOT SCALE = 5,0000 ' / in.	CHECKED -	REVISED -		SCALE: SHEET OF SHEETS STA. TO STA.			CONTRACT NO. 72L34				
	PLOT DATE = 5/21/2019	DATE -	REVISED -		ILLINOIS FED. AID PROJECT							



STA 60+66.41 TO STA 63+73.79

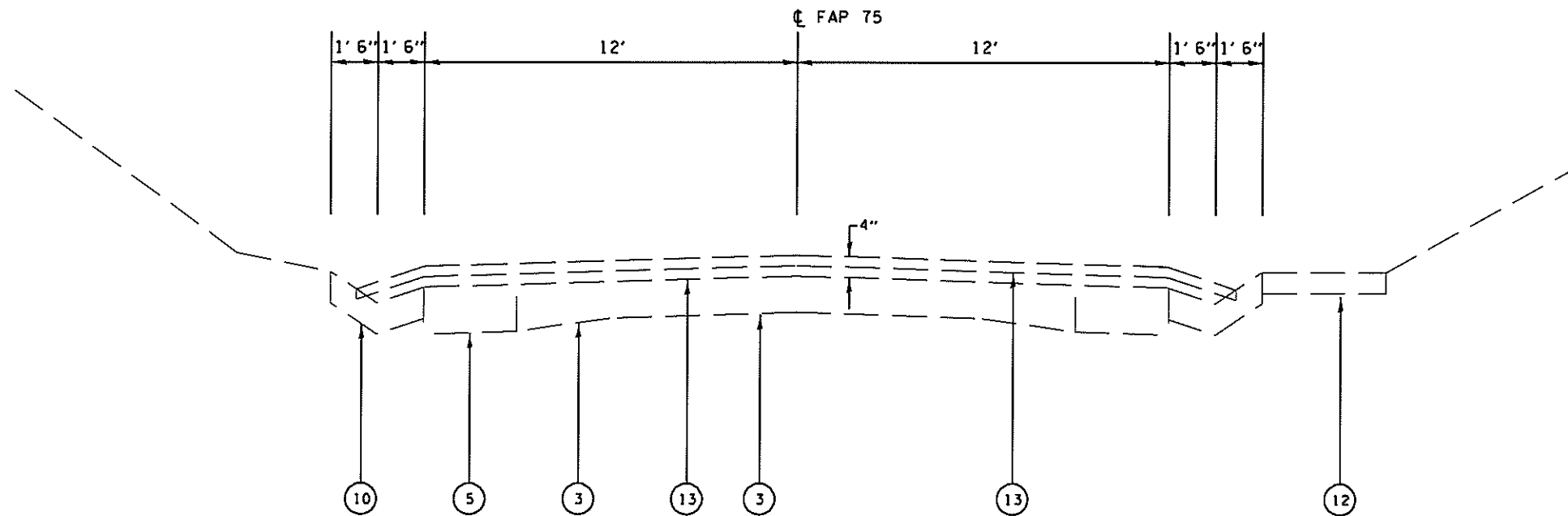


STA 63+73.79 TO STA 64+66.02

LEGEND

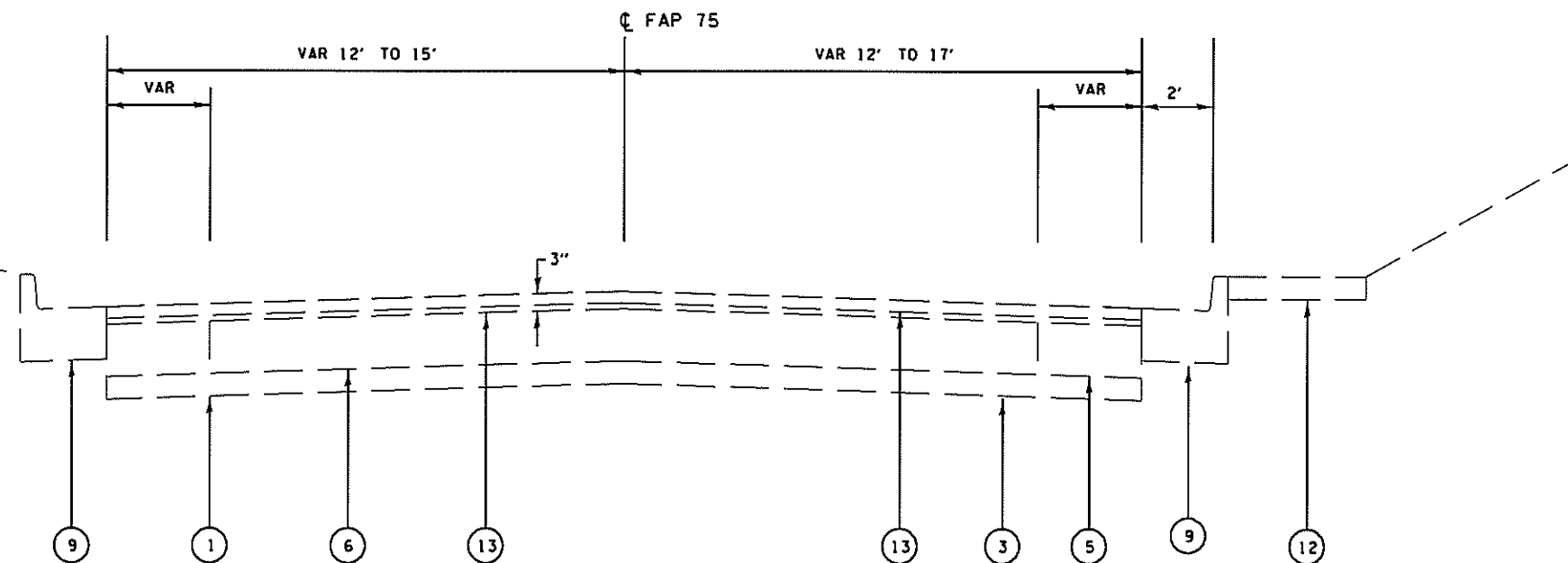
- 1 EX SUB-BASE GRANULAR MATERIAL, 4" & VAR
- 2 EX 1/2" DEFORMED BAR AND LONGITUDINAL METAL JOINT
- 3 EX PCC PAVEMENT WITH HOT-MIX ASPHALT
- 4 EX CONCRETE BASE, 6" AND BRICK PAVEMENT, 3"
- 5 EX CONCRETE WIDENING
- 6 EX PCC BASE COURSE, 9"
- 7 EX HOT-MIX ASPHALT BASE COURSE, 9" & VAR
- 8 EX CONCRETE MEDIAN, TYPE C-4
- 9 EX COMBINATION CONCRETE CURB AND GUTTER
- 10 EX CONCRETE GUTTER
- 11 EX AGGREGATE SHOULDERS
- 12 EX SIDEWALK
- 13 EX HOT-MIX ASPHALT SURFACE COURSE
- 14 EX HOT-MIX ASPHALT SHOULDERS, 8"

FILE NAME =	USER NAME = shorptd	DESIGNED -	REVISED -	STATE OF ILLINOIS DEPARTMENT OF TRANSPORTATION	TYPICALS			F.A.P. RTE.	SECTION	COUNTY	TOTAL SHEETS	SHEET NO.
S:\CONTRMINT_CAD\72L34 - working files\	lans\72L34-SHT-7-typicals.dgn	DRAWN -	REVISED -					75.714	(134, 135) PP	CHRISTIAN	22	11
Default	PLOT SCALE = 5.0000 1/ in.	CHECKED -	REVISED -		SCALE:	SHEET	OF	SHEETS	STA.	TO STA.	CONTRACT NO. 72L34	
	PLOT DATE = 5/21/2019	DATE -	REVISED -								ILLINOIS FED. AID PROJECT	



STA 79+88.63 TO STA 84+97.42

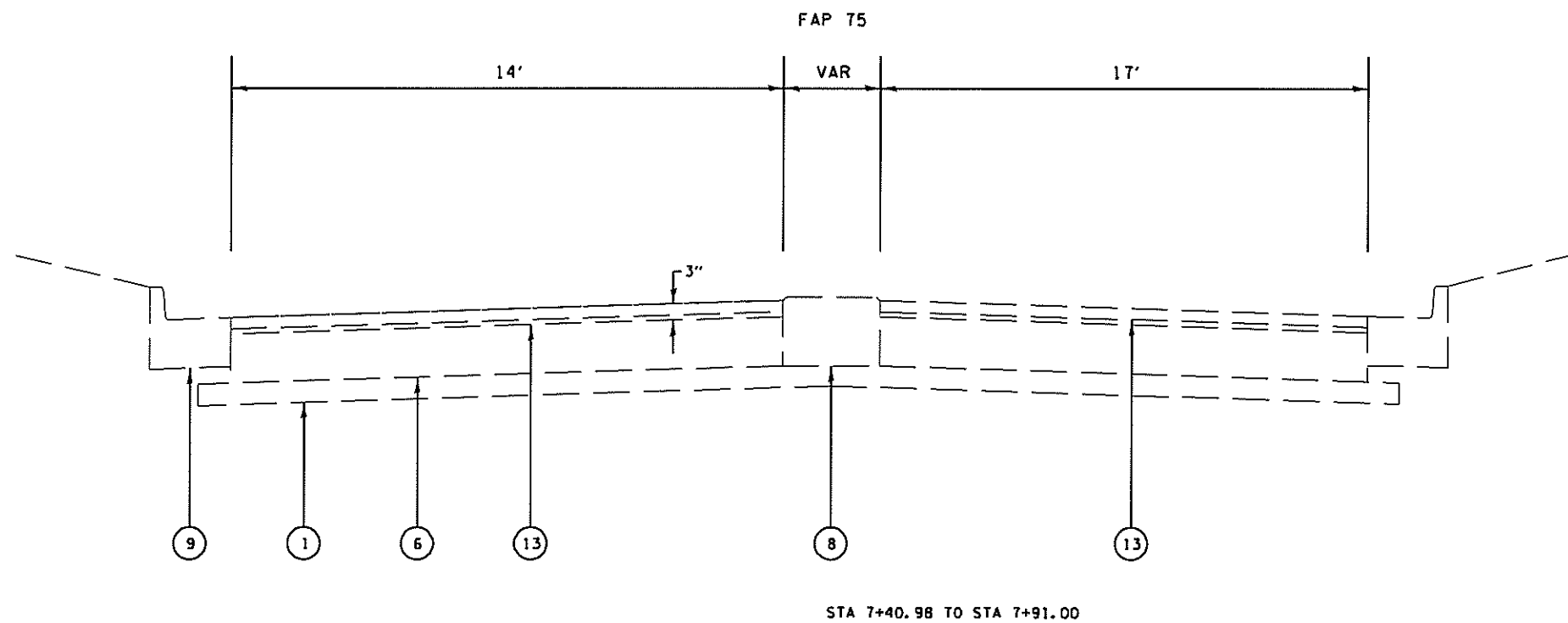
- LEGEND**
- 1 EX SUB-BASE GRANULAR MATERIAL, 4" & VAR
 - 2 EX 1/2" DEFORMED BAR AND LONGITUDINAL METAL JOINT
 - 3 EX PCC PAVEMENT WITH HOT-MIX ASPHALT
 - 4 EX CONCRETE BASE, 6" AND BRICK PAVEMENT, 3"
 - 5 EX CONCRETE WIDENING
 - 6 EX PCC BASE COURSE, 9"
 - 7 EX HOT-MIX ASPHALT BASE COURSE, 9" & VAR
 - 8 EX CONCRETE MEDIAN, TYPE C-4
 - 9 EX COMBINATION CONCRETE CURB AND GUTTER
 - 10 EX CONCRETE GUTTER
 - 11 EX AGGREGATE SHOULDERS
 - 12 EX SIDEWALK
 - 13 EX HOT-MIX ASPHALT SURFACE COURSE
 - 14 EX HOT-MIX ASPHALT SHOULDERS, 8"



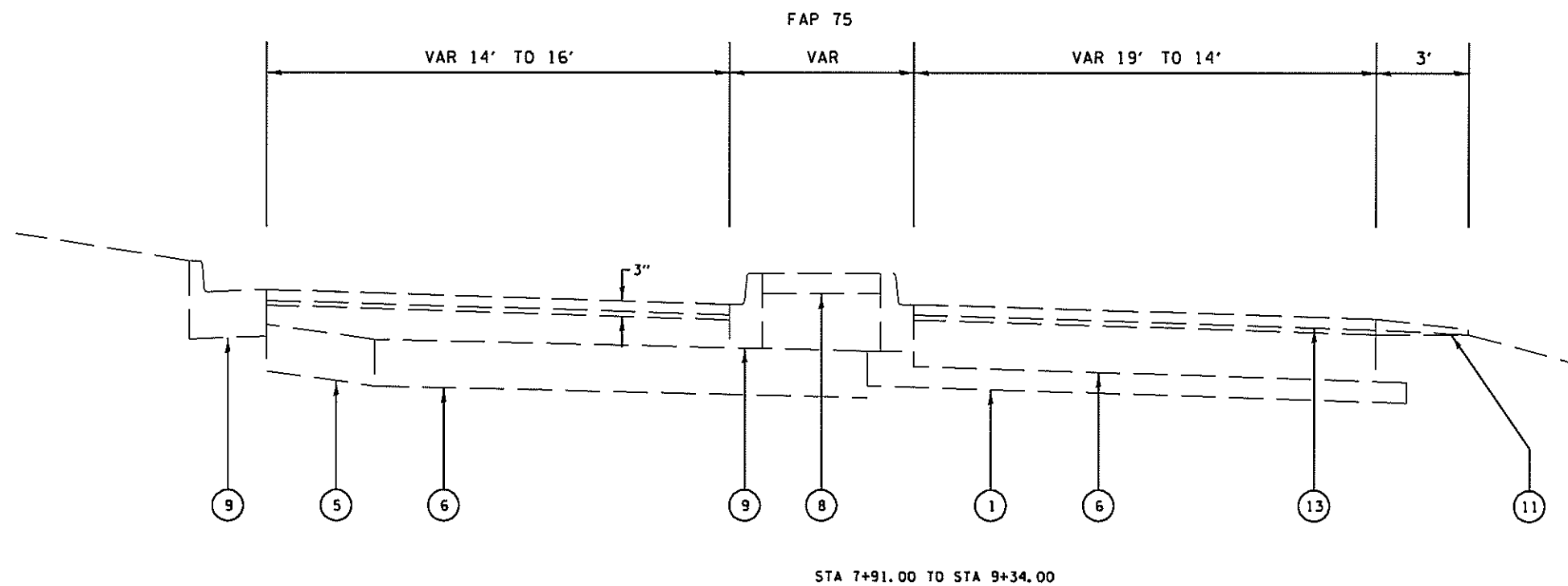
STA 84+97.42 TO STA 7+40.98

STATION EQUATION: STA 87+81.23 BK= 7+18.82 AH

FILE NAME = S:\CONTRMINT_CAD\72L34 - working file\	USER NAME = sharptd jens\72L34-SHT-7-typicals.dgn	DESIGNED -	REVISED -	STATE OF ILLINOIS DEPARTMENT OF TRANSPORTATION	TYPICALS		F.A.P. RTE. = 75.714	SECTION 1134, 1351 PP	COUNTY CHRISTIAN	TOTAL SHEETS 22	SHEET NO. 13	
Default	PLOT SCALE = 5.0000 "/> in.	DRAWN -	REVISED -				SCALE:	SHEET OF SHEETS	STA. TO STA.	ILLINOIS FED. AID PROJECT		
	PLOT DATE = 5/21/2019	CHECKED -	REVISED -					CONTRACT NO. 72L34				
		DATE -	REVISED -									

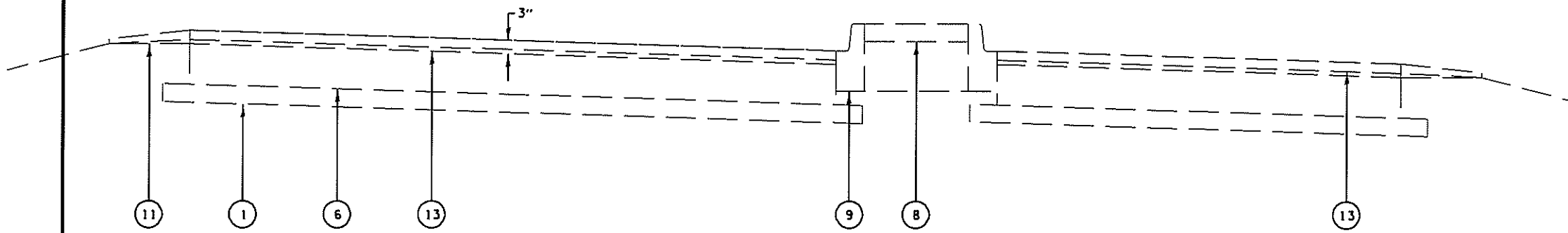
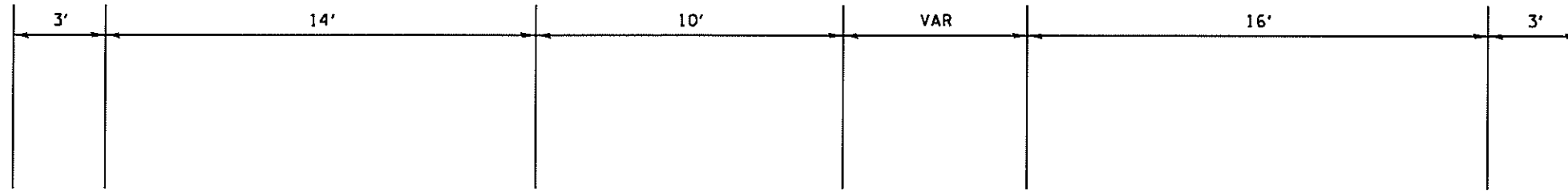


- LEGEND**
- 1 EX SUB-BASE GRANULAR MATERIAL, 4" & VAR
 - 2 EX 1/2" DEFORMED BAR AND LONGITUDINAL METAL JOINT
 - 3 EX PCC PAVEMENT WITH HOT-MIX ASPHALT
 - 4 EX CONCRETE BASE, 6" AND BRICK PAVEMENT, 3"
 - 5 EX CONCRETE WIDENING
 - 6 EX PCC BASE COURSE, 9"
 - 7 EX HOT-MIX ASPHALT BASE COURSE, 9" & VAR
 - 8 EX CONCRETE MEDIAN, TYPE C-4
 - 9 EX COMBINATION CONCRETE CURB AND GUTTER
 - 10 EX CONCRETE GUTTER
 - 11 EX AGGREGATE SHOULDERS
 - 12 EX SIDEWALK
 - 13 EX HOT-MIX ASPHALT SURFACE COURSE
 - 14 EX HOT-MIX ASPHALT SHOULDERS, 8"



FILE NAME =	USER NAME = sharptd	DESIGNED -	REVISED -	STATE OF ILLINOIS DEPARTMENT OF TRANSPORTATION	TYPICALS			F.A.P. RTE. #	SECTION	COUNTY	TOTAL SHEETS	SHEET NO.			
SINCONTRMAINT.CAD\72L34 - working file\	plans\72L34-SHT-7-typicals.dgn	DRAWN -	REVISED -		SCALE:	SHEET	OF	SHEETS	STA.	TO STA.	75.714	(134, 135) PP	CHRISTIAN	22	14
Default	PLOT SCALE = 5.0000 "/ in.	CHECKED -	REVISED -								CONTRACT NO. 72L34				
	PLOT DATE = 5/21/2019	DATE -	REVISED -								ILLINOIS FED. AID PROJECT				

FAP 75

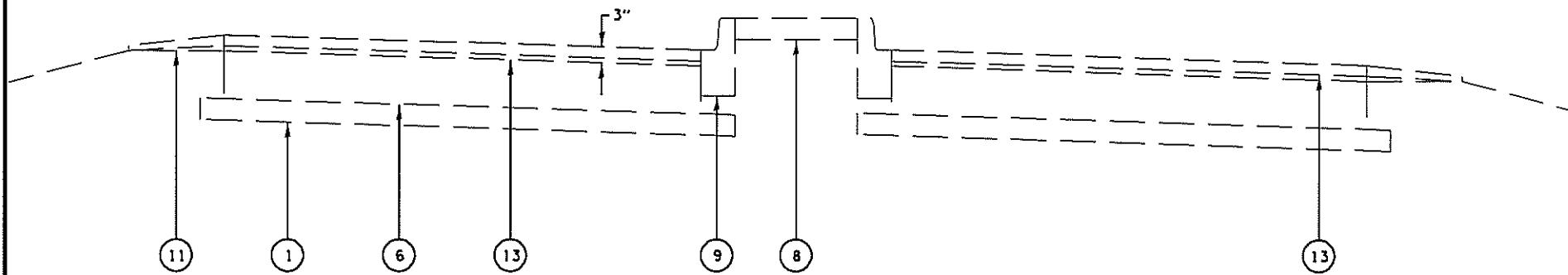
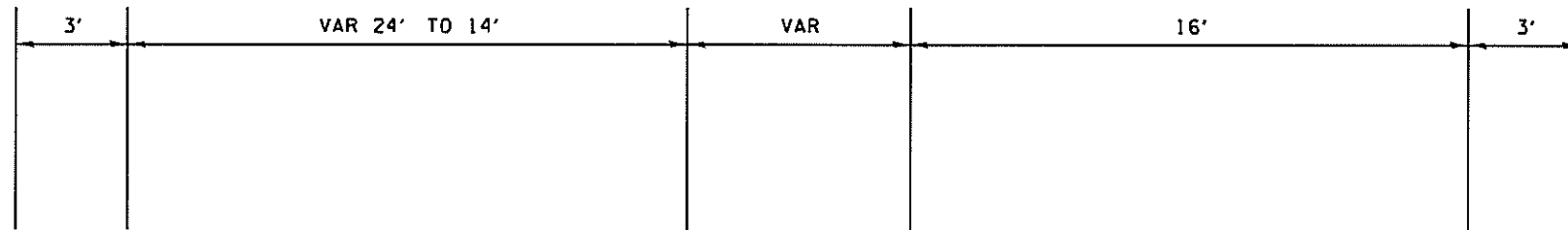


STA 19+05.00 TO STA 21+20.00

LEGEND

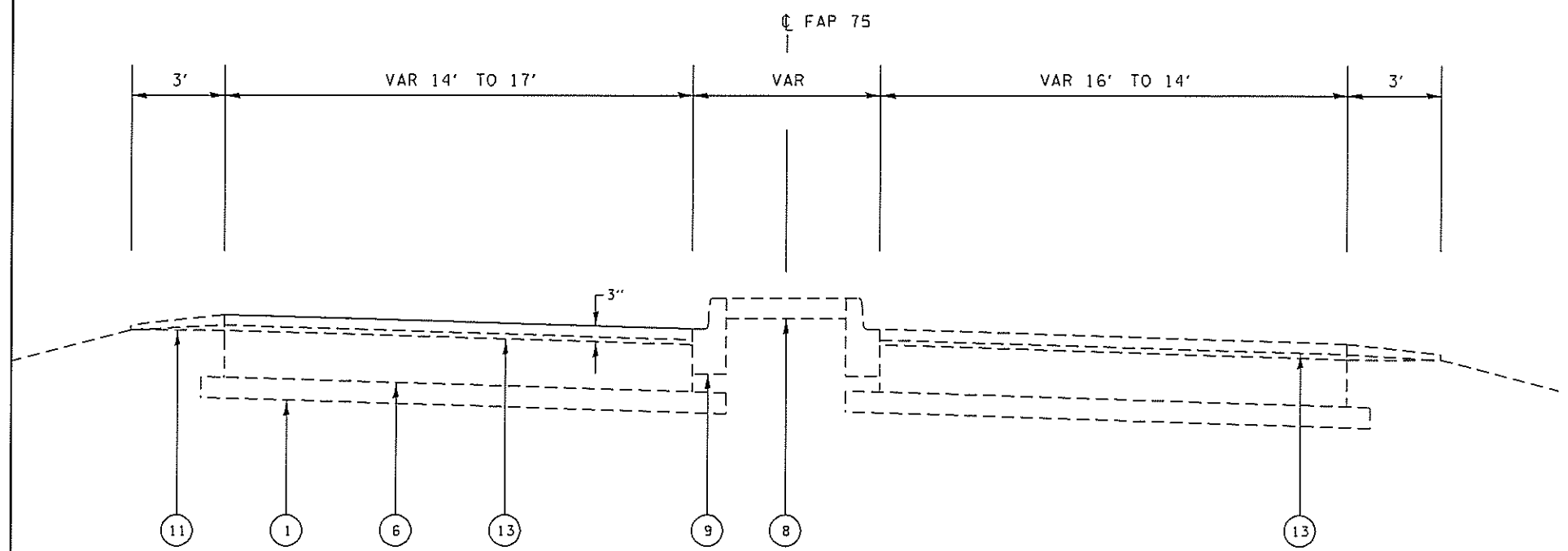
- 1 EX SUB-BASE GRANULAR MATERIAL, 4" & VAR
- 2 EX 1/2" DEFORMED BAR AND LONGITUDINAL METAL JOINT
- 3 EX PCC PAVEMENT WITH HOT-MIX ASPHALT
- 4 EX CONCRETE BASE, 6" AND BRICK PAVEMENT, 3"
- 5 EX CONCRETE WIDENING
- 6 EX PCC BASE COURSE, 9"
- 7 EX HOT-MIX ASPHALT BASE COURSE, 9" & VAR
- 8 EX CONCRETE MEDIAN, TYPE C-4
- 9 EX COMBINATION CONCRETE CURB AND GUTTER
- 10 EX CONCRETE GUTTER
- 11 EX AGGREGATE SHOULDERS
- 12 EX SIDEWALK
- 13 EX HOT-MIX ASPHALT SURFACE COURSE
- 14 EX HOT-MIX ASPHALT SHOULDERS, 8"

FAP 75

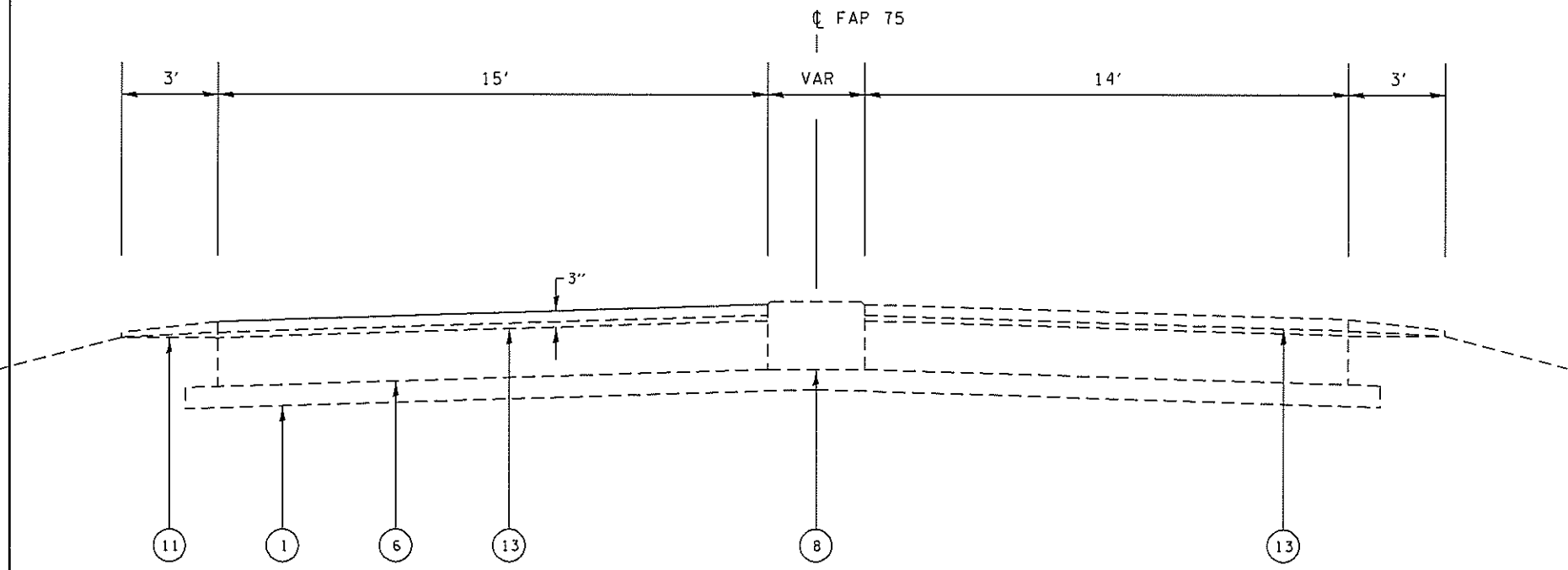


STA 21+20.00 TO STA 23+41.00

FILE NAME = S:\CONTRMINT_CAD\72L34 - working file\	USER NAME = sharptd Jans\72L34-SHT-7-typicals.dgn	DESIGNED -	REVISED -	STATE OF ILLINOIS DEPARTMENT OF TRANSPORTATION	TYPICALS			F.A.P. RTE. 75.714	SECTION (134, 135) PP	COUNTY CHRISTIAN	TOTAL SHEETS 22	SHEET NO. 16
Default	PLOT SCALE = 5,0000 ' / in.	DRAWN -	REVISED -					SCALE:	SHEET	OF	SHEETS	STA.
	PLOT DATE = 5/21/2019	CHECKED -	REVISED -								(ILLINOIS) FED. AID PROJECT	
		DATE -	REVISED -									



STA 23+41.00 TO STA 24+94.50



STA 24+94.50 TO STA 25+47.00

LEGEND

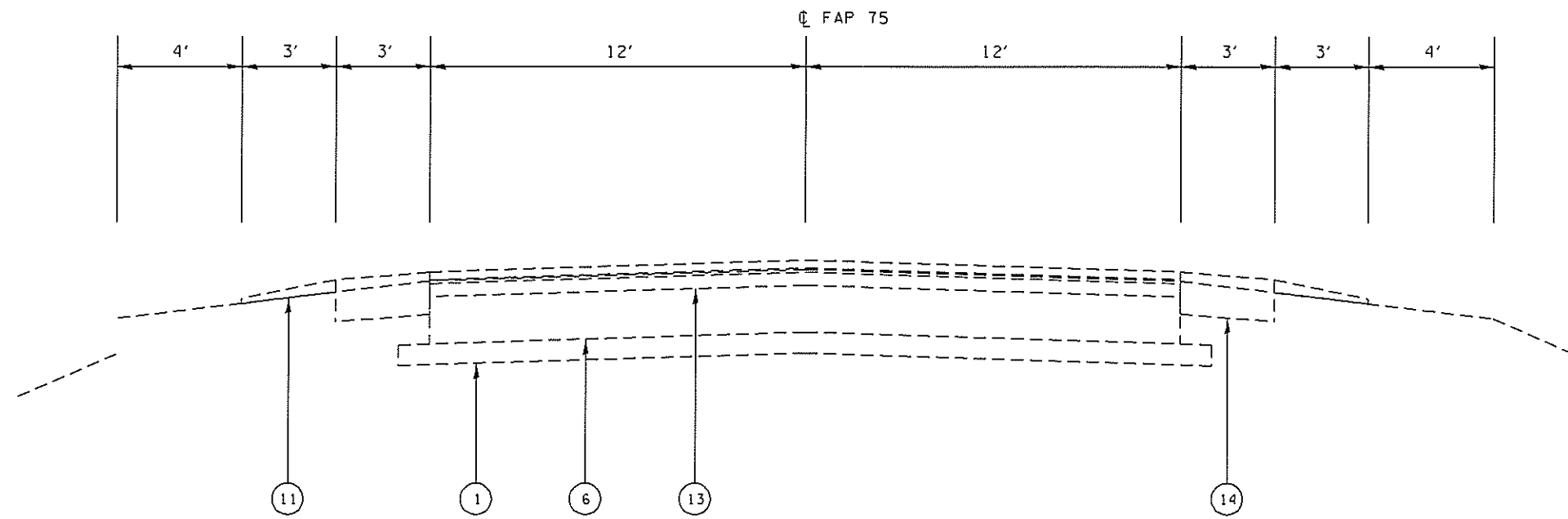
- 1 EX SUB-BASE GRANULAR MATERIAL, 4" & VAR
- 2 EX 1/2" DEFORMED BAR AND LONGITUDINAL METAL JOINT
- 3 EX PCC PAVEMENT WITH HOT-MIX ASPHALT
- 4 EX CONCRETE BASE, 6" AND BRICK PAVEMENT, 3"
- 5 EX CONCRETE WIDENING
- 6 EX PCC BASE COURSE, 9"
- 7 EX HOT-MIX ASPHALT BASE COURSE, 9" & VAR
- 8 EX CONCRETE MEDIAN, TYPE C-4
- 9 EX COMBINATION CONCRETE CURB AND GUTTER
- 10 EX CONCRETE GUTTER
- 11 EX AGGREGATE SHOULDERS
- 12 EX SIDEWALK
- 13 EX HOT-MIX ASPHALT SURFACE COURSE
- 14 EX HOT-MIX ASPHALT SHOULDERS, 8"

FILE NAME =	USER NAME = shertd	DESIGNED -	REVISED -
S:\CONTRMAINT_CAD\72L34 - working files\72L34-SHT-7-typicals.dgn		DRAWN -	REVISED -
Default	PLOT SCALE = 5.0000' / in.	CHECKED -	REVISED -
	PLOT DATE = 5/21/2019	DATE -	REVISED -

**STATE OF ILLINOIS
DEPARTMENT OF TRANSPORTATION**

TYPICALS			
SCALE:	SHEET	OF	SHEETS
	STA.	TO	STA.

F.A.P. RTE.	SECTION	COUNTY	TOTAL SHEETS	SHEET NO.
75,714	(134, 135) PP	CHRISTIAN	22	17
				CONTRACT NO. 72L34
ILLINOIS FED. AID PROJECT				



STA 28+80.37 TO STA 31+50.00

LEGEND

- 1 EX SUB-BASE GRANULAR MATERIAL, 4" & VAR
- 2 EX 1/2" DEFORMED BAR AND LONGITUDINAL METAL JOINT
- 3 EX PCC PAVEMENT WITH HOT-MIX ASPHALT
- 4 EX CONCRETE BASE, 6" AND BRICK PAVEMENT, 3"
- 5 EX CONCRETE WIDENING
- 6 EX PCC BASE COURSE, 9"
- 7 EX HOT-MIX ASPHALT BASE COURSE, 9" & VAR
- 8 EX CONCRETE MEDIAN, TYPE C-4
- 9 EX COMBINATION CONCRETE CURB AND GUTTER
- 10 EX CONCRETE GUTTER
- 11 EX AGGREGATE SHOULDERS
- 12 EX SIDEWALK
- 13 EX HOT-MIX ASPHALT SURFACE COURSE
- 14 EX HOT-MIX ASPHALT SHOULDERS, 8"

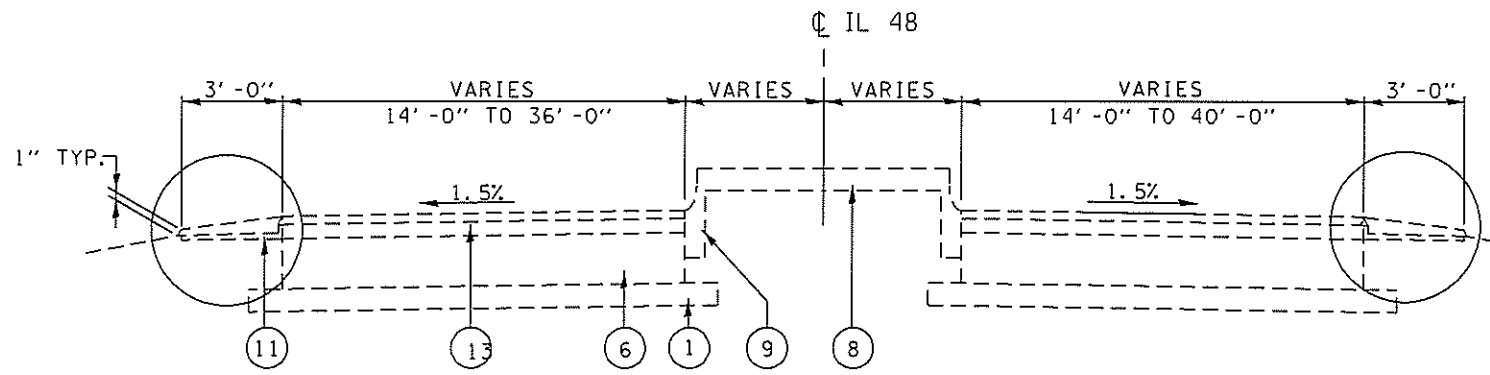
FILE NAME =	USER NAME = sharptd	DESIGNED -	REVISED -
S:\CONTRMAINT_CAD\72L34 - working file\	72L34-SHT-7-typicals.dgn	DRAWN -	REVISED -
Default	PLOT SCALE = 5.0000' / 1"	CHECKED -	REVISED -
	PLOT DATE = 5/21/2019	DATE -	REVISED -

**STATE OF ILLINOIS
DEPARTMENT OF TRANSPORTATION**

TYPICALS

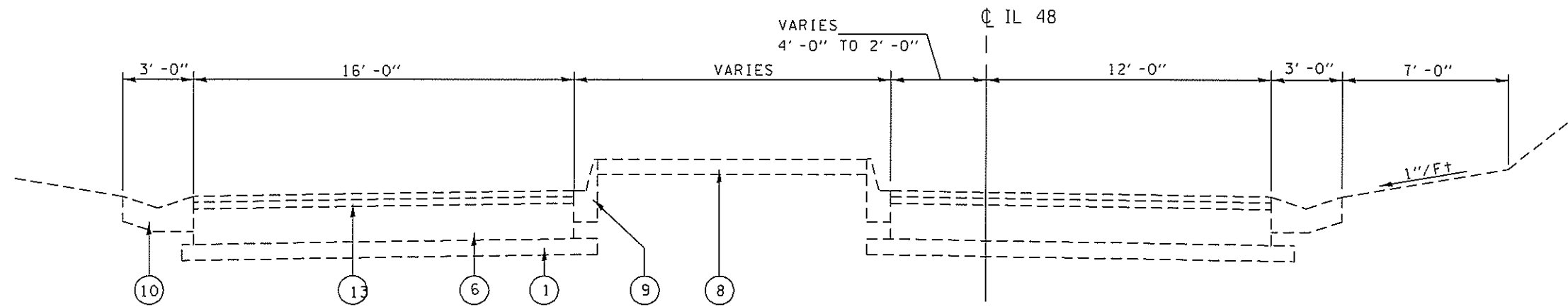
SCALE: SHEET OF SHEETS STA. TO STA.

F.A.P. RTE.	SECTION	COUNTY	TOTAL SHEETS	SHEET NO.
75.714	(134, 135) PP	CHRISTIAN	22	19
CONTRACT NO. 72L34			ILLINOIS FED. AID PROJECT	



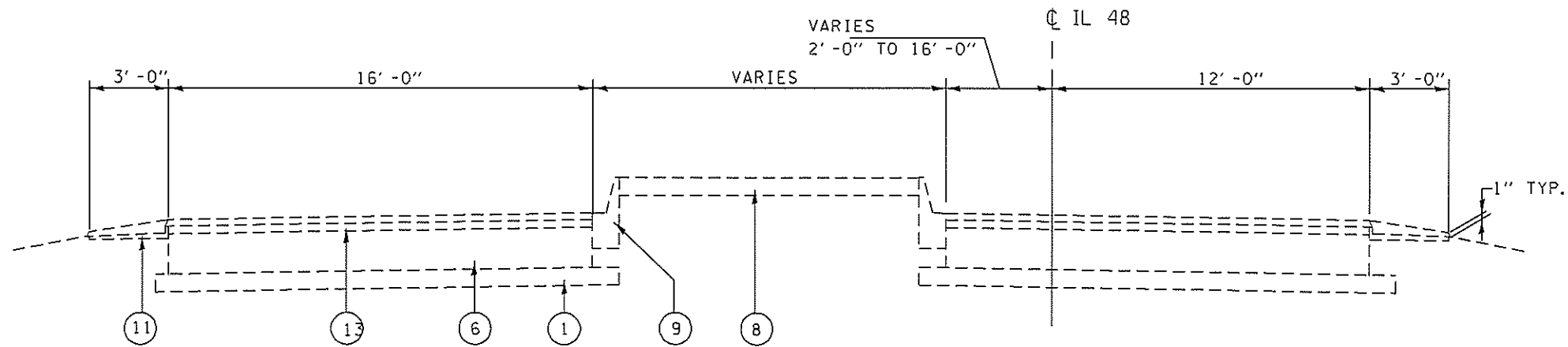
TYPICAL SECTION #6
FA 714

STA. 73+86.00 TO STA. 87+51.00



TYPICAL SECTION #5
FA 714

STA. 48+00.00 TO STA. 50+59.00



TYPICAL SECTION #4
FA 714

STA. 45+02.20 TO STA. 48+00.00

LEGEND

- 1 EX SUB-BASE GRANULAR MATERIAL, 4" & VAR
- 2 EX 1/2" DEFORMED BAR AND LONGITUDINAL METAL JOINT
- 3 EX PCC PAVEMENT WITH HOT-MIX ASPHALT
- 4 EX CONCRETE BASE, 6" AND BRICK PAVEMENT, 3"
- 5 EX CONCRETE WIDENING
- 6 EX PCC BASE COURSE, 9"
- 7 EX HOT-MIX ASPHALT BASE COURSE, 9" & VAR
- 8 EX CONCRETE MEDIAN, TYPE C-4
- 9 EX COMBINATION CONCRETE CURB AND GUTTER
- 10 EX CONCRETE GUTTER
- 11 EX AGGREGATE SHOULDERS
- 12 EX SIDEWALK
- 13 EX HOT-MIX ASPHALT SURFACE COURSE
- 14 EX HOT-MIX ASPHALT SHOULDERS, 8"

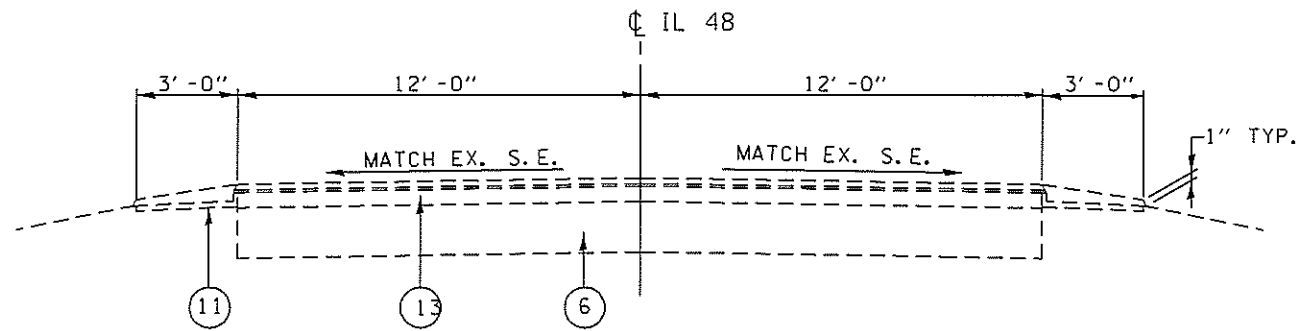
FILE NAME =	USER NAME = sharpst	DESIGNED -	REVISED -
S:\CONTRACTS\72L34 - working files\plans\72L34-SHT-7-typicals.dgn		DRAWN -	REVISED -
Default	PLDT SCALE = 5.0000' / in.	CHECKED -	REVISED -
	PLDT DATE = 5/21/2019	DATE -	REVISED -

STATE OF ILLINOIS
DEPARTMENT OF TRANSPORTATION

TYPICALS - LOCATION #2

SCALE: SHEET OF SHEETS STA. TO STA.

F.A.P. RTE.	SECTION	COUNTY	TOTAL SHEETS	SHEET NO.
75.714	(134, 135) PP	CHRISTIAN	22	20
CONTRACT NO. 72L34				
ILLINOIS FED. AID PROJECT				



TYPICAL SECTION #3
FA 714

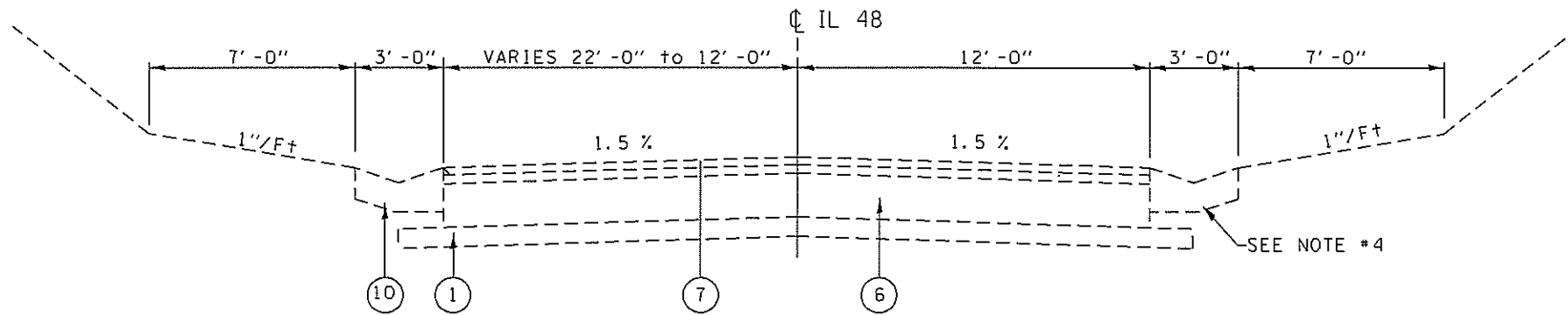
S.E. ATTN.
STA. 52+84.90 TO STA. 53+79.80
STA. 103+81.97 TO STA. 104+83.83
STA. 112+28.07 TO STA. 112+99.14
STA. 112+97.33 TO STA. 113+78.88

S.E. ATTN.
STA. 67+29.82 TO STA. 68+12.31
STA. 23+53.94 TO STA. 24+32.56
STA. 46+97.82 TO STA. 48+62.98

S.E. ATTN.
STA. 130+92.00 TO STA. 132+08.00
STA. 167+29.00 TO STA. 168+45.00
STA. 169+21.00 TO STA. 170+41.00

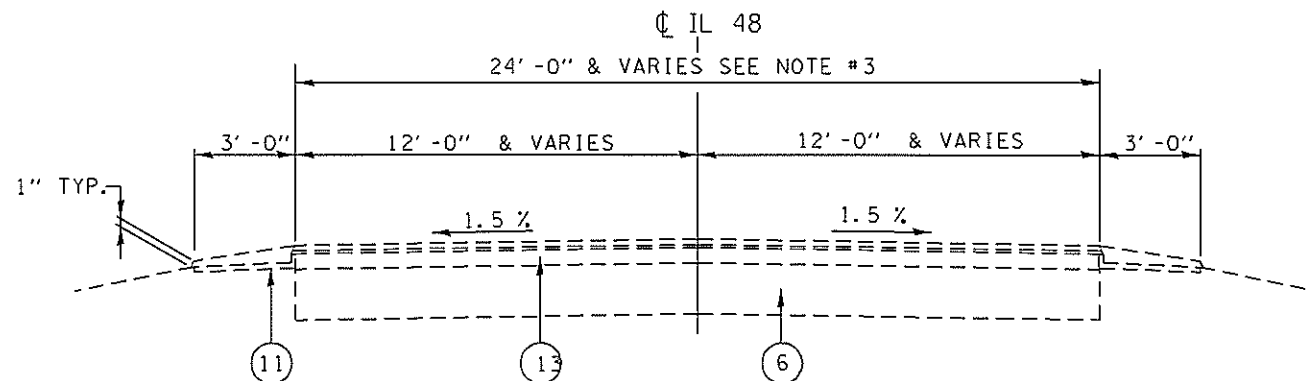
STA. EQ.: STA. 112+99.14 BK. = STA. 112+97.33 AH. STA. EQ.: STA. 68+12.31 BK. = STA. 23+53.94 AH.

- LEGEND**
- 1 EX SUB-BASE GRANULAR MATERIAL, 4" & VAR
 - 2 EX 1/2" DEFORMED BAR AND LONGITUDINAL METAL JOINT
 - 3 EX PCC PAVEMENT WITH HOT-MIX ASPHALT
 - 4 EX CONCRETE BASE, 6" AND BRICK PAVEMENT, 3"
 - 5 EX CONCRETE WIDENING
 - 6 EX PCC BASE COURSE, 9"
 - 7 EX HOT-MIX ASPHALT BASE COURSE, 9" & VAR
 - 8 EX CONCRETE MEDIAN, TYPE C-4
 - 9 EX COMBINATION CONCRETE CURB AND GUTTER
 - 10 EX CONCRETE GUTTER
 - 11 EX AGGREGATE SHOULDERS
 - 12 EX SIDEWALK
 - 13 EX HOT-MIX ASPHALT SURFACE COURSE
 - 14 EX HOT-MIX ASPHALT SHOULDERS, 8"



TYPICAL SECTION #2
FA 714

STA. 50+59.00 TO STA. 52+84.90



TYPICAL SECTION #1
FA 714

STA. 53+79.80 TO STA. 67+29.82

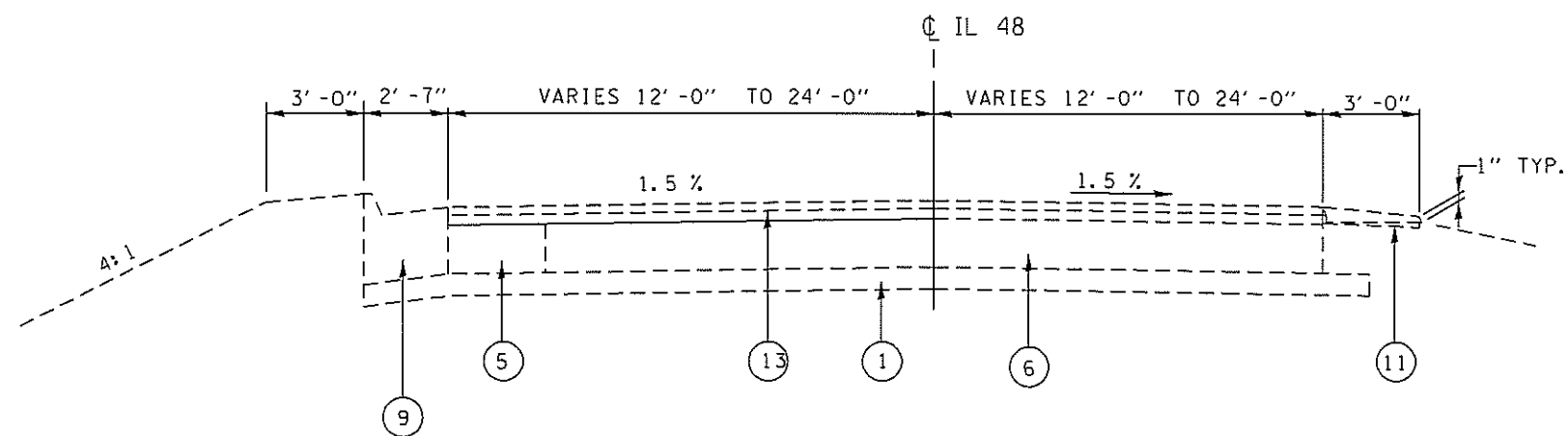
STA. 24+32.56 TO STA. 46+97.82
STA. 48+62.98 TO STA. 73+86.00
STA. 87+51.00 TO STA. 103+81.97
STA. 104+83.83 TO STA. 112+28.07
STA. 113+78.88 TO STA. 130+92.00
STA. 132+08.00 TO STA. 167+29.00

STA. 168+45.00 TO STA. 169+21.00
STA. 170+41.00 TO STA. 180+73.00

FILE NAME =	USER NAME = shorpsd	DESIGNED -	REVISED -	STATE OF ILLINOIS DEPARTMENT OF TRANSPORTATION	TYPICALS - LOCATION #2				F.A.P. RTE.	SECTION	COUNTY	TOTAL SHEETS	SHEET NO.
S:\CONTRACTMAINT.CAD\72L34 - working files\plans\72L34-SHT-7-typicals.dgn	PLDT SCALE = 5.0000 1/8" = 1'	DRAWN -	REVISED -						75.714	(134, 135) PP	CHRISTIAN	22	21
Default	PLDT DATE = 5/21/2019	CHECKED -	REVISED -		SCALE:	SHEET	OF	SHEETS	STA.	TO STA.	CONTRACT NO. 72L34		
		DATE -	REVISED -								ILLINOIS FED. AID PROJECT		

LEGEND

- 1 EX SUB-BASE GRANULAR MATERIAL, 4" & VAR
- 2 EX 1/2" DEFORMED BAR AND LONGITUDINAL METAL JOINT
- 3 EX PCC PAVEMENT WITH HOT-MIX ASPHALT
- 4 EX CONCRETE BASE, 6" AND BRICK PAVEMENT, 3"
- 5 EX CONCRETE WIDENING
- 6 EX PCC BASE COURSE, 9"
- 7 EX HOT-MIX ASPHALT BASE COURSE, 9" & VAR
- 8 EX CONCRETE MEDIAN, TYPE C-4
- 9 EX COMBINATION CONCRETE CURB AND GUTTER
- 10 EX CONCRETE GUTTER
- 11 EX AGGREGATE SHOULDERS
- 12 EX SIDEWALK
- 13 EX HOT-MIX ASPHALT SURFACE COURSE
- 14 EX HOT-MIX ASPHALT SHOULDERS, 8"



NOTES:

- 6. LIMITS OF EXISTING CURB AND GUTTER:
RT. STA. 185+62.50 TO STA. 189+23.87
LT. STA. 187+13.00 TO STA. 190+04.00

TYPICAL SECTION #7

FA 714

STA. 180+73.00 TO STA. 188+05.74

**STATE OF ILLINOIS
DEPARTMENT OF TRANSPORTATION**

TYPICALS - LOCATION #2

FILE NAME =	USER NAME = sharpst	DESIGNED -	REVISED -	STATE OF ILLINOIS DEPARTMENT OF TRANSPORTATION	TYPICALS - LOCATION #2				F.A.P. RTE.	SECTION	COUNTY	TOTAL SHEETS	SHEET NO.
S:\CDTRMAINT\CAD\72L34 - working files\72L34-SHT-7-typicals.dgn		DRAWN -	REVISED -						75,714	(134, 135) PP	CHRISTIAN	22	22
Default	PLOT SCALE = 5.0000' / in.	CHECKED -	REVISED -		SCALE:	SHEET	OF	SHEETS	STA.	TO STA.	CONTRACT NO. 72L34		
	PLOT DATE = 5/21/2019	DATE -	REVISED -								ILLINOIS FED. AID PROJECT		