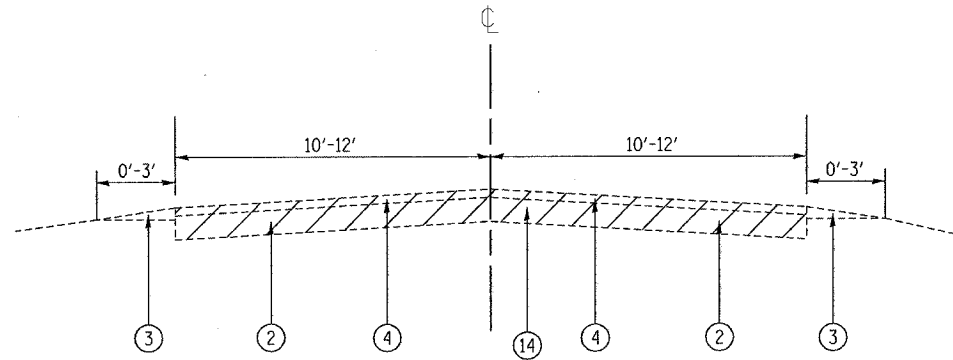
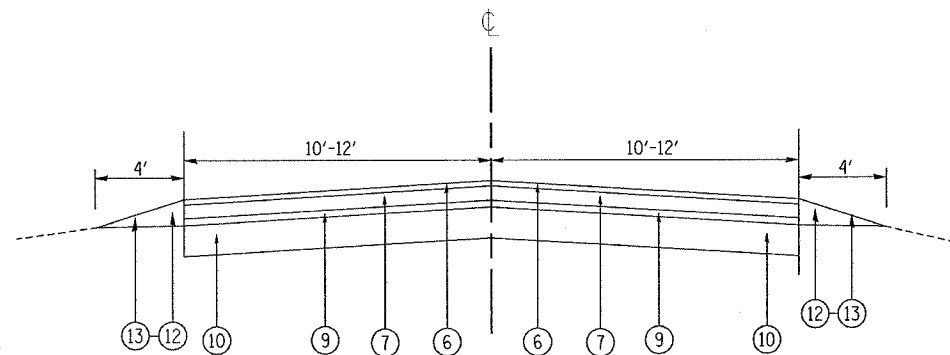


F.A.I. RTE.	SECTION	COUNTY	TOTAL SHEETS	SHEET NO.
55	99 (1&2) RS-10	WILL	18	9
STA.		TO STA.		
FED. ROAD DIST. NO.		ILLINOIS		FED. AID PROJECT



EXISTING TYPICAL CROSS SECTION

STA. 1053+00 TO STA. 1097+23



PROPOSED TYPICAL CROSS SECTION

STA. 1053+00 TO STA. 1097+23

LEGEND

- ① EXISTING HMA BASE COURSE, ± 10"
- ② EXISTING C.A.M. BASE, ± 7½"
- ③ EXISTING AGGREGATE SHOULDER
- ④ EXISTING HMA OVERLAY, ± 1½"
- ⑤ EXISTING HMA OVERLAY, ± 3"
- ⑥ PROPOSED HMA SURFACE COURSE, MIX "D", N50, 1½"
- ⑦ PROPOSED HMA BINDER COURSE (IL-19.0, N50, 4½"
- ⑧ PROP. LEVELING BINDER, (MM), N50, 1"
- ⑨ PROPOSED AGGREGATE BASE COURSE, TYPE B, 2"
- ⑩ PROPOSED PULVERIZED HMA MATERIAL, 9"
- ⑪ PROPOSED HMA SURFACE REMOVAL, 2½"
- ⑫ PROPOSED AGGREGATE WEDGE SHOULDERS, TYPE B
- ⑬ PROPOSED GRADING & SHAPING SHOULDERS
- ⑭ PROPOSED PULVERIZATION, 9"

PLOT DATE = 6/15/2007  
 FILE NAME = c:\projects\107586\design\es.dgn  
 PLOT SCALE = 50.000 / IN.  
 REFERENCE = #REF#

REVISIONS	
NAME	DATE

ILLINOIS DEPARTMENT OF TRANSPORTATION

EXISTING AND PROPOSED TYPICAL SECTIONS

SCALE: VERT.  
 HORIZ.  
 DATE

DRAWN BY  
 CHECKED BY