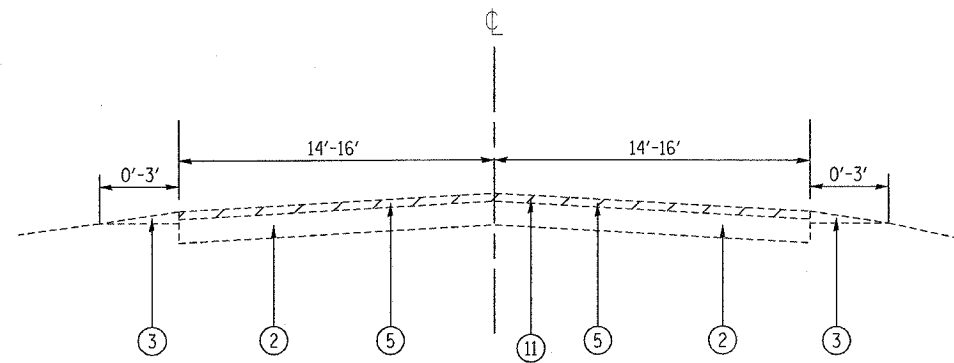
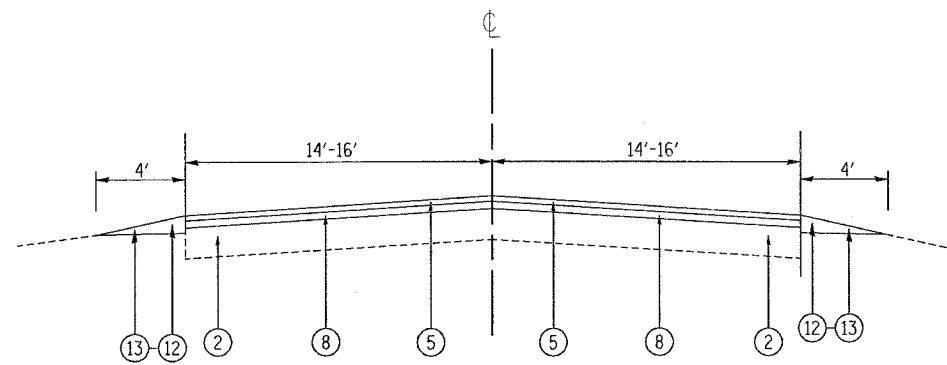


| F.A.I. RTE. | SECTION | COUNTY | TOTAL SHEETS | SHEET NO. |
|---------------------|----------------|------------------|--------------|-----------|
| 55 | 99 (I&2) RS-10 | WILL | 18 | 6 |
| STA. | | TO STA. | | |
| FED. ROAD DIST. NO. | ILLINOIS | FED. AID PROJECT | | |



EXISTING TYPICAL CROSS SECTION

STA. 1097+23 TO STA. 1098+83
 STA. 1099+25 TO STA. 1100+15



PROPOSED TYPICAL CROSS SECTION

STA. 1097+23 TO STA. 1098+83
 STA. 1099+25 TO STA. 1100+15

LEGEND

- ① EXISTING HMA BASE COURSE, ± 10"
- ② EXISTING C.A.M. BASE, ± 7 1/2"
- ③ EXISTING AGGREGATE SHOULDER
- ④ EXISTING HMA OVERLAY, ± 1 1/2"
- ⑤ EXISTING HMA OVERLAY, ± 3"
- ⑥ PROPOSED HMA SURFACE COURSE, MIX "D", N50, 1 1/2"
- ⑦ PROPOSED HMA BINDER COURSE (IL-19.0, N50, 4 1/2"
- ⑧ PROP. LEVELING BINDER, (MM), N50, 1"
- ⑨ PROPOSED AGGREGATE BASE COURSE, TYPE B, 2"
- ⑩ PROPOSED PULVERIZED HMA MATERIAL, 9"
- ⑪ PROPOSED HMA SURFACE REMOVAL, 2 1/2"
- ⑫ PROPOSED AGGREGATE WEDGE SHOULDERS, TYPE B
- ⑬ PROPOSED GRADING & SHAPING SHOULDERS
- ⑭ PROPOSED PULVERIZATION, 9"

PLOT DATE = 6/15/2007
 FILE NAME = c:\p\proj\60a57\107565.dwg
 PLOT SCALE = 50.000' / 1" IN.
 REFERENCE = #REF#

| REVISIONS | | ILLINOIS DEPARTMENT OF TRANSPORTATION |
|-----------|------|--|
| NAME | DATE | |
| | | EXISTING AND PROPOSED TYPICAL SECTIONS |
| | | |
| | | |
| | | |
| | | |
| | | |
| | | |
| | | |
| | | |
| | | |

SCALE: VERT. DATE HORIZ. DRAWN BY CHECKED BY