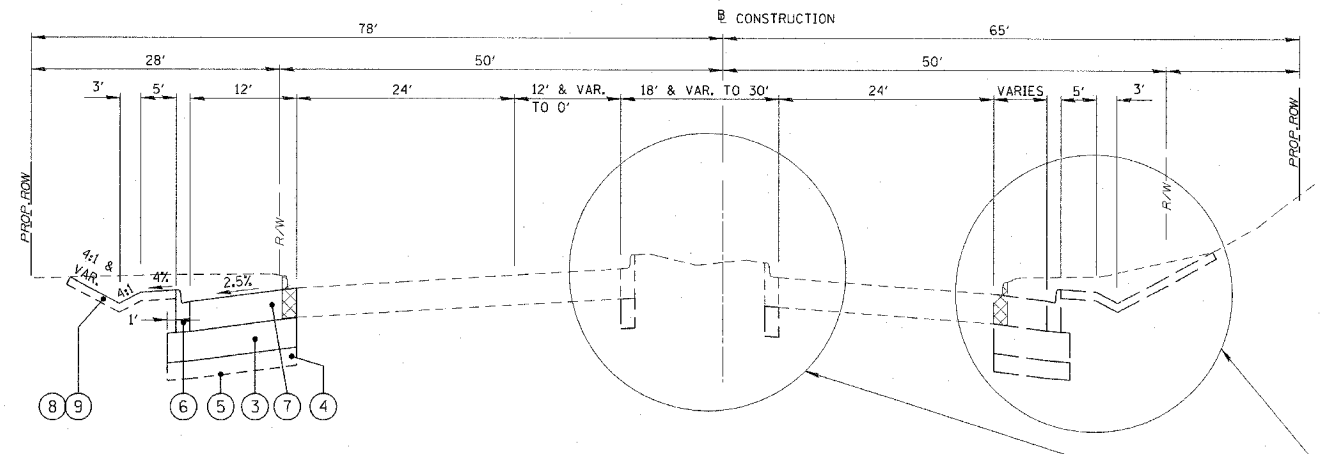


F.A.P. RTE.	SECTION	COUNTY	TOTAL SHEETS	SHEET NO.
335	119R-2	LAKE	439	24
STA. 432+83.12		TO STA. 470+56.84		
FED. ROAD DIST. NO.		ILLINOIS	FED. AID PROJECT	



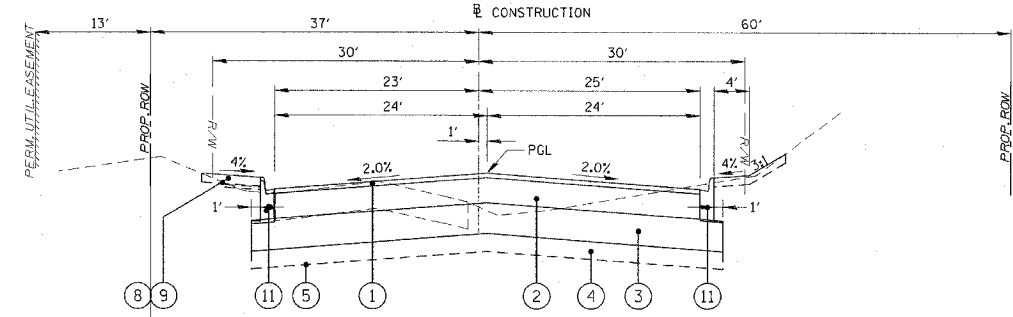
PROPOSED TYPICAL SECTION - ILLINOIS ROUTE 60  
STA. 461+16.73 TO STA. 467+08.45

HMA MIXTURE REQUIREMENT (FOR SHEET 5 OF 5 ONLY)		
MIXTURE TYPE	AC TYPE	VOIDS
HMA SURFACE COURSE, MIX "D", N50 (IL 9.5 mm)	PG 64-22	4% @ 50 Gyr
HMA BINDER COURSE, IL-19.0, N50	PG 64-22*	4% @ 50 Gyr
LEVELING BINDER (MACHINE METHOD), N50 (IL 9.5 mm)	PG 64-22*	4% @ 50 Gyr

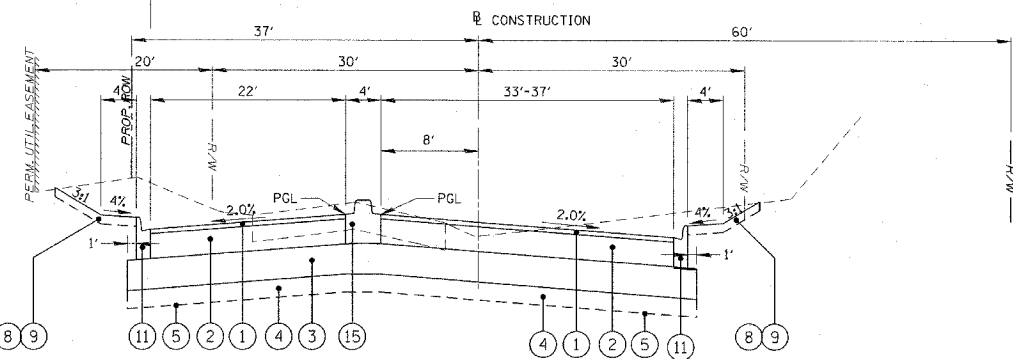
THE UNIT WEIGHT USED TO CALCULATE ALL HMA SURFACE MIXTURE QUANTITIES IS 112 LBS/50 YD/IN.

\*CONTRACTORS OPTION: WHEN RAP EXCEEDS 20%, THE NEW ASPHALT BINDER IN THE MIX SHALL BE PG 58-22.

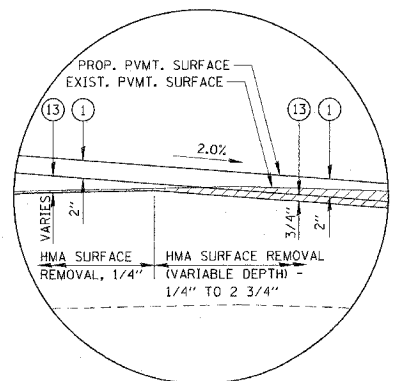
NOTE: TOPSOIL STRIPPING WILL BE PAID FOR AS "REMOVAL AND DISPOSAL OF UNSUITABLE MATERIAL." A NOMINAL DEPTH OF 9" WAS USED TO ESTIMATE REMOVAL QUANTITY BASED ON THE SOIL REPORT.



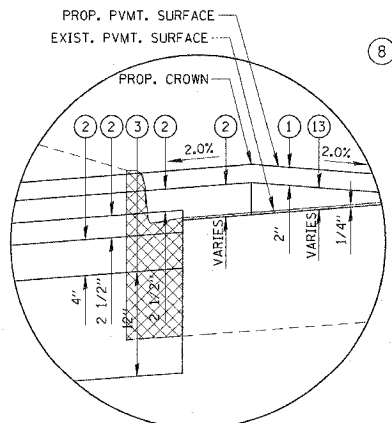
PROPOSED TYPICAL SECTION - SAUNDERS ROAD  
STA. 3+50 TO STA. 6+55.67



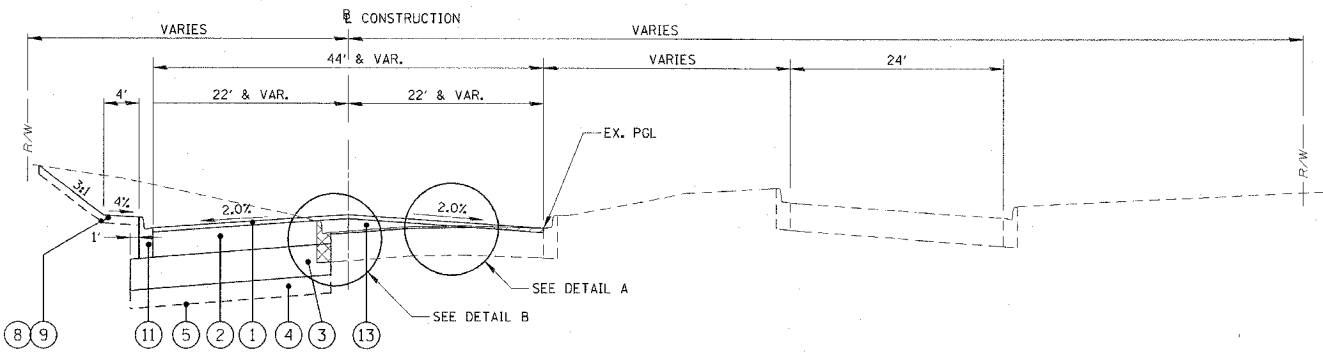
PROPOSED TYPICAL SECTION - SAUNDERS ROAD  
STA. 6+68.55 TO STA. 9+33.81



DETAIL A



DETAIL B



PROPOSED TYPICAL SECTION - FIELD DRIVE  
STA. 20+60 TO STA. 25+90

- REMOVAL ITEMS**
- COMBINATION CURB & GUTTER REMOVAL
  - HMA SURFACE REMOVAL
- LEGEND (FOR SHEET 5 OF 5 ONLY)**
- ① HMA SURFACE COURSE, MIX "D" N50 (2")
  - ② HMA BINDER COURSE, IL 19.0, N50 (9")
  - ③ AGGREGATE SUBGRADE (12")
  - ④ POROUS GRANULAR EMBANKMENT (6" AS REQUIRED)
  - ⑤ GEOTECHNICAL FABRIC FOR GROUND STABILIZATION (AS REQUIRED)
  - ⑥ COMBINATION CONCRETE CURB & GUTTER, TYPE B-6.24
  - ⑦ PORTLAND CEMENT CONCRETE PAVEMENT 10 1/4" (JOINTED)
  - ⑧ FURNISHING AND PLACING TOPSOIL, 4"
  - ⑨ SEEDING OR SODDING (SEE LANDSCAPING PLANS FOR LOCATION)
  - ⑩ COMBINATION CONCRETE CURB & GUTTER, TYPE B-6.12
  - ⑬ LEVELING BINDER (MACHINE METHOD), N50 (3/4" MIN.)
  - ⑮ CONCRETE MEDIAN, TYPE SB-6.06

REVISIONS	
NAME	DATE

ILLINOIS DEPARTMENT OF TRANSPORTATION  
ILLINOIS RTE 60 OVER I-94  
PROPOSED TYPICAL SECTIONS  
INTERSECTION OF IL RTE 60  
AND SAUNDERS ROAD/FIELD DRIVE  
SHEET 5 OF 5

SCALE: N.T.S. DRAWN BY: GT  
DATE: MAY 8, 2007 CHECKED BY: MCW