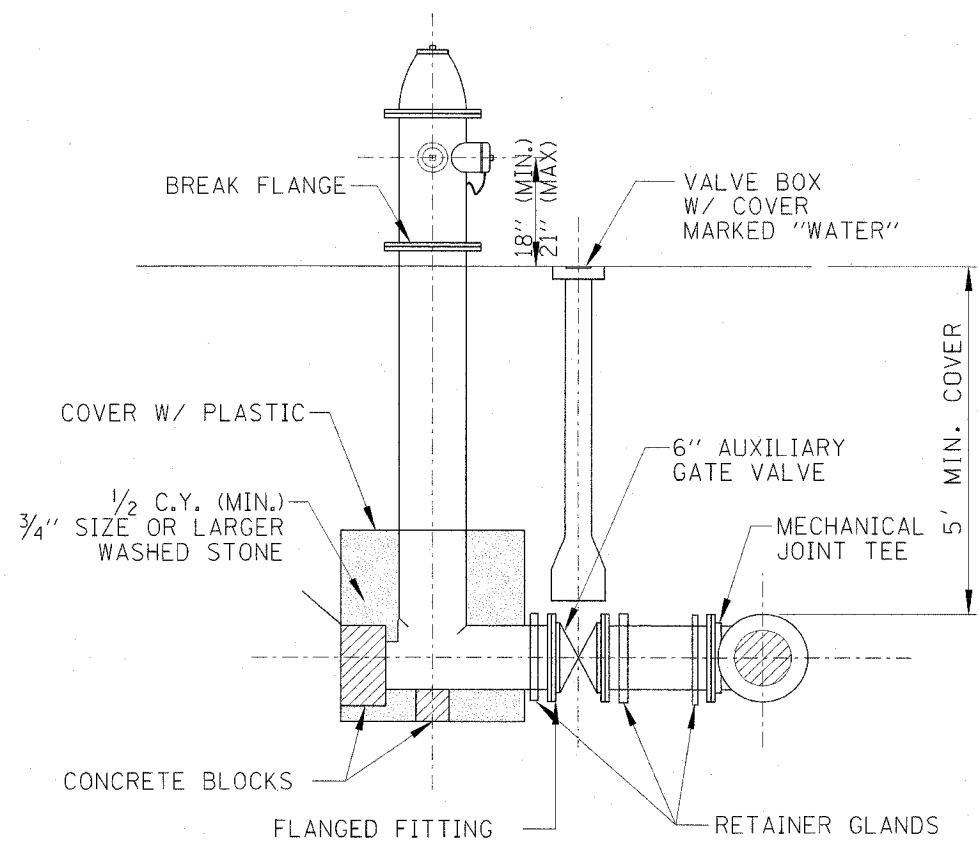
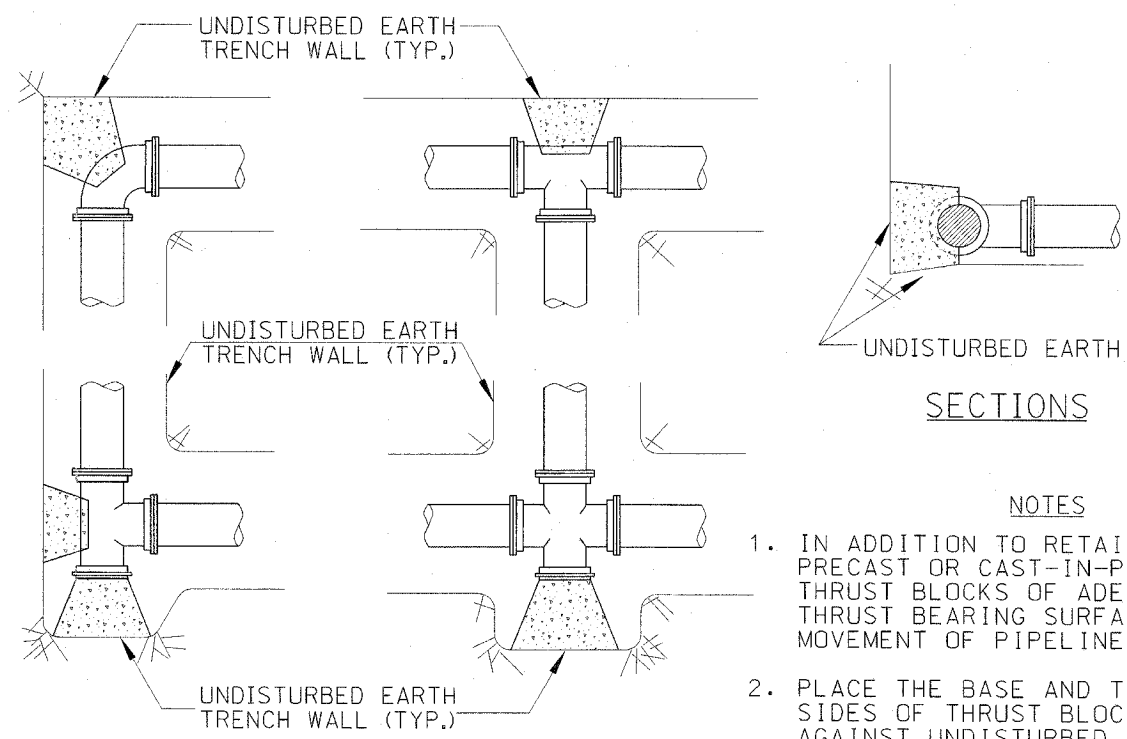


F.A.P. RTE.	SECTION	COUNTY	TOTAL SHEETS	SHEET NO.
335	119R-2	LAKE	439	169
STA.	TO STA.			
FED. ROAD DIST. NO.	ILLINOIS	FED. AID PROJECT		

60B01



STANDARD FIRE HYDRANT INSTALLATION
NOT TO SCALE



TYPICAL THRUST BLOCK INSTALLATIONS
NOT TO SCALE

- NOTES**
1. IN ADDITION TO RETAINER GLANDS, PROVIDE PRECAST OR CAST-IN-PLACE CONCRETE THRUST BLOCKS OF ADEQUATE SIZE AND THRUST BEARING SURFACE TO PREVENT MOVEMENT OF PIPELINE UNDER PRESSURE.
 2. PLACE THE BASE AND THRUST BEARING SIDES OF THRUST BLOCK DIRECTLY AGAINST UNDISTURBED EARTH.
 3. PLACE THRUST BLOCKING SO THE FITTING JOINTS WILL BE ACCESSIBLE FOR REPAIR.

CHRISTOPHER B. BURKE ENGINEERING LTD.
8875 West Higgins Road, Suite 600
Rosemont, Illinois 60018
(947) 823-0600

REVISIONS	
NAME	DATE

ILLINOIS DEPARTMENT OF TRANSPORTATION
ILLINOIS RTE 60 OVER I-94

CONSTRUCTION DETAILS:
UTILITIES

SCALE: NOT TO SCALE DRAWN BY: GT
DATE: MAY 8, 2007 CHECKED BY: MCW

10/23/07