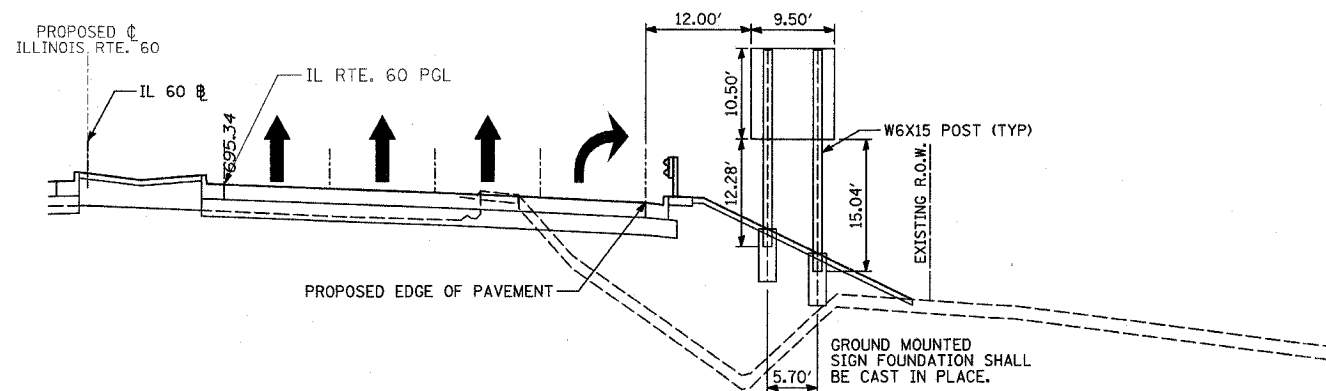
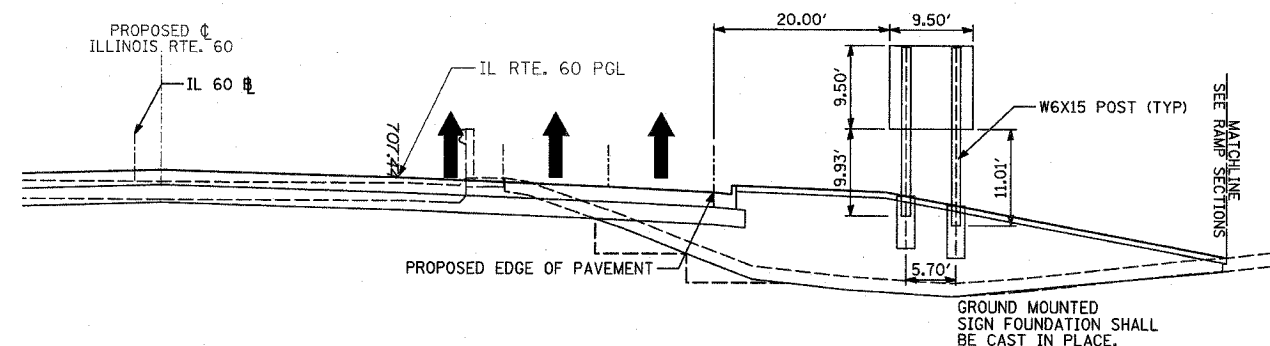


F.A.P. RTE.	SECTION	COUNTY	TOTAL SHEETS	SHEET NO.
335	119R-2	LAKE	439	182
STA. 432+83.12		TO STA. 470+56.84		
FED. ROAD DIST. NO.	ILLINOIS FED. AID PROJECT			

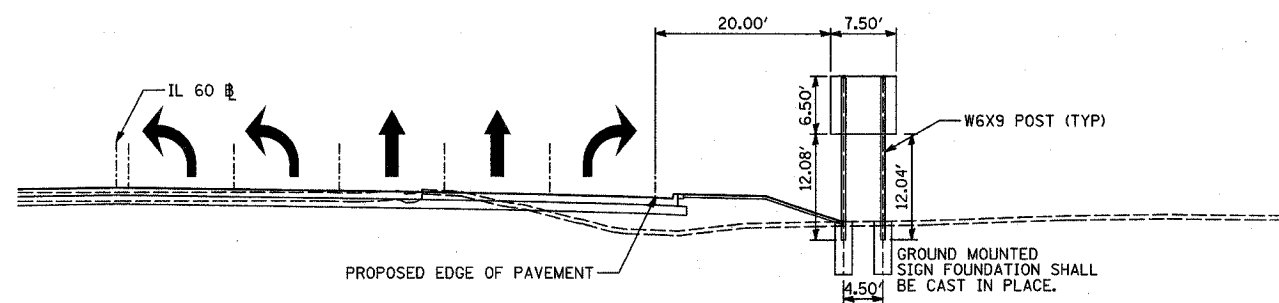
60B01



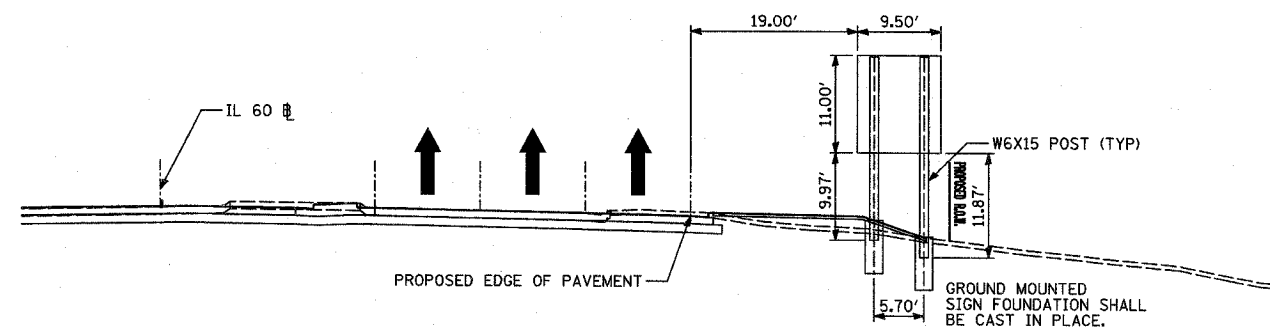
STA. 436+83 EB ILLINOIS 60
LOOKING EAST



STA. 449+90 WB ILLINOIS 60
LOOKING WEST



STA. 441+25 EB ILLINOIS 60
LOOKING EAST



STA. 457+50 WB ILLINOIS 60
LOOKING WEST

NOTE:
SEE SIGN PANEL DETAIL SHEETS
FOR SIGN INFORMATION.

TYLIN INTERNATIONAL

REVISIONS	
NAME	DATE

ILLINOIS DEPARTMENT OF TRANSPORTATION
ILLINOIS RTE 60 OVER I-94
PERMANENT SIGN PANEL MOUNTING DETAILS
PROPOSED GROUND-MOUNTED SIGNS
STA. 436+83, STA. 441+25,
STA. 449+90, AND STA. 457+50
SCALE: NOT TO SCALE DRAWN BY: CBS
DATE: MAY 8, 2007 CHECKED BY: AMB

5/8/2007 5:25:08 PM