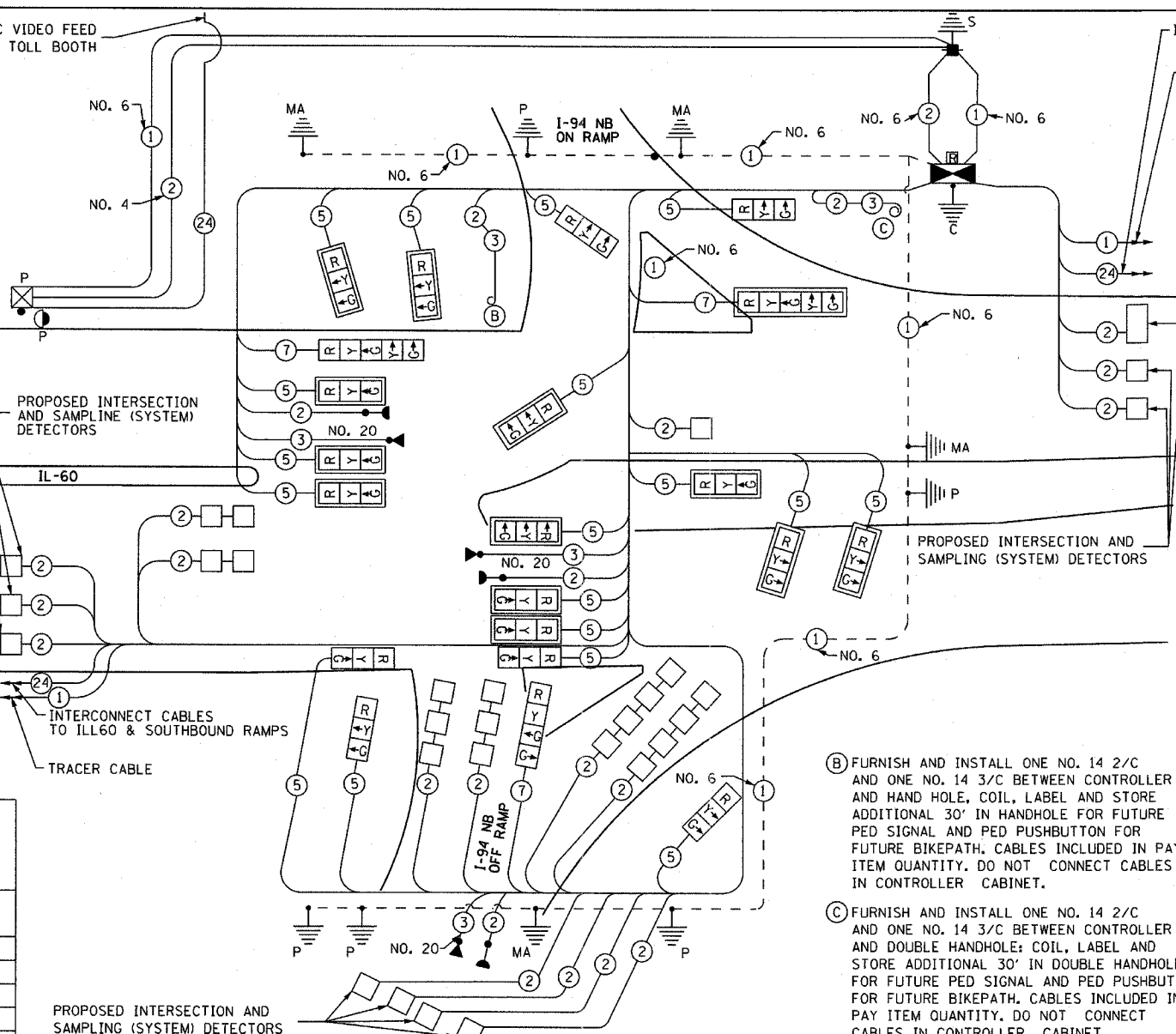
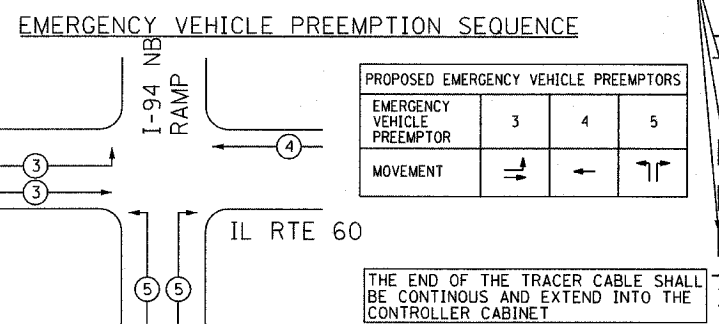
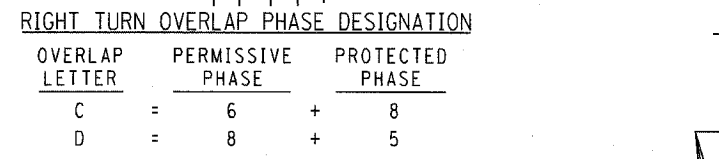
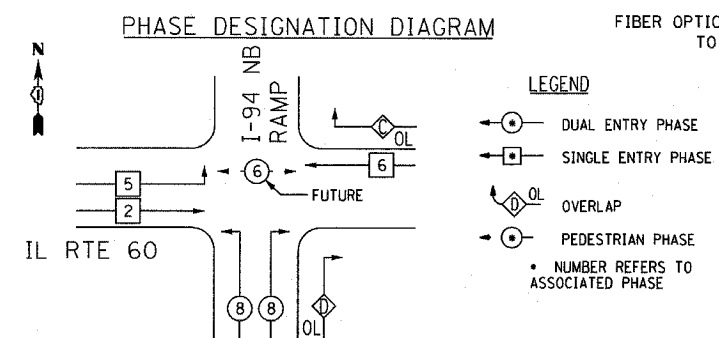


F.A.P. RTE.	SECTION	COUNTY	TOTAL SHEETS	SHEET NO.
335	119R-2	LAKE	439	195
STA.		TO STA.		
FED. ROAD DIST. NO.		ILLINOIS FED. AID PROJECT		



REVISED TRAFFIC SIGNAL INSTALLATION ELECTRICAL SERVICE REQUIREMENTS ILL RTE. 60 & I-94 NORTHBOUND RAMPS

TYPE	NO. OF LAMPS	WATTAGE		% OPERATIONS	TOTAL WATTAGE
		INCAND.	LED		
SIGNAL (RED)	23		17	0.50	195.50
(YELLOW)	23		25	0.25	143.75
(GREEN)	24		15	0.25	90.00
ARROW	4		12	0.10	4.80
PED. SIGNAL	0		25	1.00	0
CONTROLLER	1		100	1.00	100.00
LUMINAIRES	0	310		0.50	0.00
FLASHER	0				0

EXISTING SERVICE LOCATION (REVISED) TOTAL = 534.05

ENERGY COSTS TO:

ILLINOIS DEPARTMENT OF TRANSPORTATION

EXISTING SERVICE LOCATION ENERGY COSTS TO:

ENERGY SUPPLY CONTACT: JOHN D. PRIBICH
PHONE: 630-437-2212
COMPANY: COMM. EDISON

FOUNDATION (DEPTH)	FT. (m)	CABLE SLACK	FT. (m)	VERTICAL	FT. (m)
TYPE A - POST	4 (1.2)	HANDHOLE	6.5 (2.0)	ALL FOUNDATIONS	3.5 (1.0)
D - CONTROLLER	4 (1.2)	DOUBLE HANDHOLE	13 (4.0)	MAST ARM (L) POLE	20'+ L-2 = (6m+L-0.6m)
E - MAST ARM POLE		SIGNAL POST	2 (1.0)		
24" (600mm)	10 (3.0)	CONTROLLER CAB.	1 (0.5)	BRACKET MOUNTED	13 (4.0)
30" (750mm)	15 (4.6)	FIBER OPTIC	13 (4.0)	PED. PUSHBUTTON	4 (1.2)
36" (900 mm)	15 (4.6)	ELECTRIC SERVICE	1 (0.5)	ELECTRIC SERVICE	13.5 (4.1)
		GROUND CABLE	1 (0.5)	SERVICE TO GROUND	13.5 (4.1)
				POST MOUNTED	6 (1.8)

SCHEDULE OF QUANTITIES - ILL 60 @ I-94 NB RAMP SIGNALS

UNIT	ITEM	I-94 NB RAMP QUANT.
SO FT	SIGN PANEL - TYPE 1	10
EACH	SERVICE INSTALLATION, GROUND MOUNT	1
FOOT	CONDUIT IN TRENCH, 2" DIA., GALVANIZED STEEL	860
FOOT	CONDUIT IN TRENCH, 2 1/2" DIA., GALVANIZED STEEL	243
FOOT	CONDUIT IN TRENCH, 4" DIA., GALVANIZED STEEL	10
FOOT	CONDUIT PUSHED, 2" DIA., GALVANIZED STEEL	85
FOOT	CONDUIT PUSHED, 4" DIA., GALVANIZED STEEL	486
EACH	HANDHOLE	8
EACH	HEAVY-DUTY HANDHOLE	2
EACH	DOUBLE HANDHOLE	2
FOOT	TRENCH AND BACKFILL FOR ELECTRICAL WORK	1235
EACH	FULL-ACTUATED CONTROLLER AND TYPE IV CABINET (SPECIAL)	1
EACH	TRANSCIVER - FIBER OPTIC	1
FOOT	ELECTRIC CABLE IN CONDUIT, GROUNDING, NO. 6 1/C	841
FOOT	ELECTRIC CABLE IN CONDUIT, SIGNAL NO. 14 2/C	807
FOOT	ELECTRIC CABLE IN CONDUIT, SIGNAL NO. 14 5/C	4346
FOOT	ELECTRIC CABLE IN CONDUIT, SIGNAL NO. 14 7/C	575
FOOT	ELECTRIC CABLE IN CONDUIT, LEAD-IN, NO. 14 1 PAIR	6553
FOOT	ELECTRIC CABLE IN CONDUIT, SERVICE, NO. 6 2C	58
FOOT	ELECTRIC CABLE IN CONDUIT, NO. 20 3/C, TWISTED SHIELDED	807
EACH	TRAFFIC SIGNAL POST, GALVANIZED STEEL, 14 FT.	4
EACH	TRAFFIC SIGNAL POST, GALVANIZED STEEL, 18 FT	1
EACH	STEEL MAST ARM ASSEMBLY AND POLE, 44 FT	1
EACH	STEEL MAST ARM ASSEMBLY AND POLE, 48 FT	1
EACH	STEEL MAST ARM ASSEMBLY AND POLE, 50 FT	1
EACH	STEEL MAST ARM ASSEMBLY AND POLE WITH DUAL MAST ARMS, 44FT & 52 FT	1
FOOT	CONCRETE FOUNDATION, TYPE A	24
FOOT	CONCRETE FOUNDATION, TYPE C	4
FOOT	CONCRETE FOUNDATION, TYPE E 36-INCH DIAMETER	60
EACH	SIGNAL HEAD, L.E.D., 1-FACE, 3-SECTION, MAST ARM MOUNTED	11
EACH	SIGNAL HEAD, L.E.D., 1-FACE, 3-SECTION, BRACKET MOUNTED	7
EACH	SIGNAL HEAD, L.E.D., 1-FACE, 4-SECTION, BRACKET MOUNTED	1
EACH	SIGNAL HEAD, L.E.D., 1-FACE, 5-SECTION, BRACKET MOUNTED	1
EACH	SIGNAL HEAD, L.E.D., 1-FACE, 5-SECTION, MAST ARM MOUNTED	1
EACH	TRAFFIC SIGNAL BACKPLATE, LOUVERED	12
EACH	INDUCTIVE LOOP DETECTOR	17
EACH	LIGHT DETECTOR	3
EACH	LIGHT DETECTOR AMPLIFIER	2
FOOT	DETECTOR LOOP, TYPE III	1521
EACH	TEMPORARY TRAFFIC SIGNAL INSTALLATION	1
EACH	REMOVE EXISTING TRAFFIC SIGNAL EQUIPMENT	1
EACH	REMOVE EXISTING HANDHOLE	15
EACH	REMOVE EXISTING CONCRETE FOUNDATION	9
EACH	UNINTERRUPTIBLE POWER SUPPLY	1
EACH	TEMPORARY TRAFFIC SIGNAL TIMINGS	1

REVISIONS

NAME	DATE

ILLINOIS DEPARTMENT OF TRANSPORTATION

**TRAFFIC SIGNAL INSTALLATION
ILL RTE 60 & NORTHBOUND I-94 RAMPS**

S.N. DESIGNED BY: JM
SCALE: NONE DRAWN BY: PK
DATE: MAY 8, 2007 CHECKED BY: CK

EJM ENGINEERING, INC.
411 South Wells Street Suite 800
Chicago, Illinois 60607