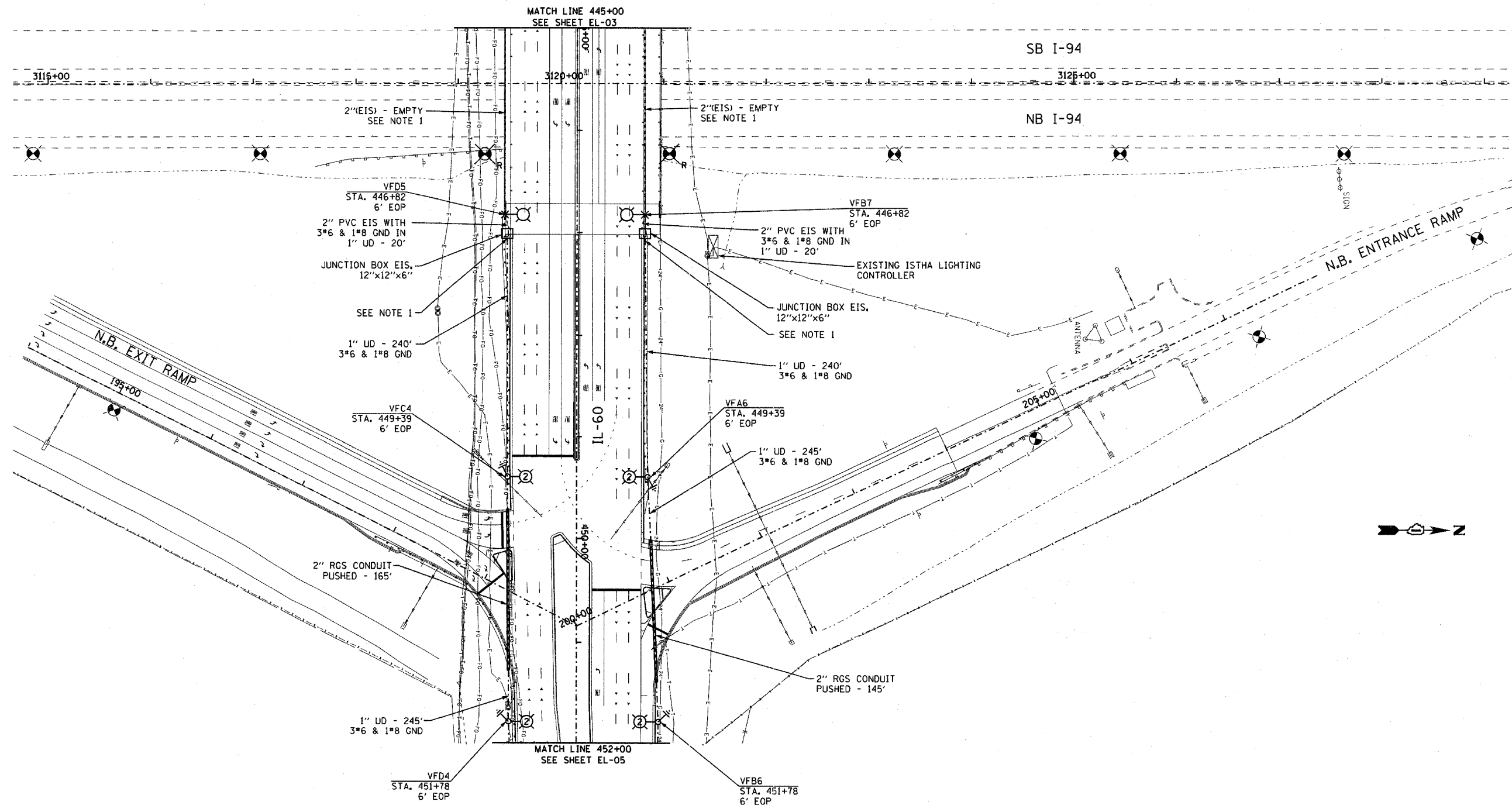


F.A.P. RTE.	SECTION	COUNTY	TOTAL SHEETS	SHEET NO.
335	119R-2	LAKE	439	238
STA. 445+00	TO STA. 452+00			
FED. ROAD DIST. NO.	ILLINOIS	FED. AID PROJECT		

60B01



NOTES:

1. SEE STRUCTURAL DRAWINGS FOR ALL CONDUIT EMBEDDED IN BRIDGE STRUCTURE.
2. FOR TEMPORARY RAMP LIGHTING, SEE SHEET EL-09. FOR PERMANENT RAMP LIGHTING, REFER TO ISTHA CONTRACT I-07-5221 LIGHTING PLANS. CALL MANAR NASHIF AT 630-241-6800 IF NECESSARY.

EJM ENGINEERING, INC.
 411 South Wells Street Suite 800
 Chicago, Illinois 60607

REVISIONS	
NAME	DATE

ILLINOIS DEPARTMENT OF TRANSPORTATION
 ILLINOIS RTE 60 OVER I-94
PROPOSED ROADWAY LIGHTING PLAN
 STA. 445+00 TO STA. 452+00
 S.N. _____ DESIGNED BY: JDM
 SCALE: 1"=50'-0" DRAWN BY: JDM
 DATE: MAY 8, 2007 CHECKED BY: RES

SHEET EL-04 OF 13