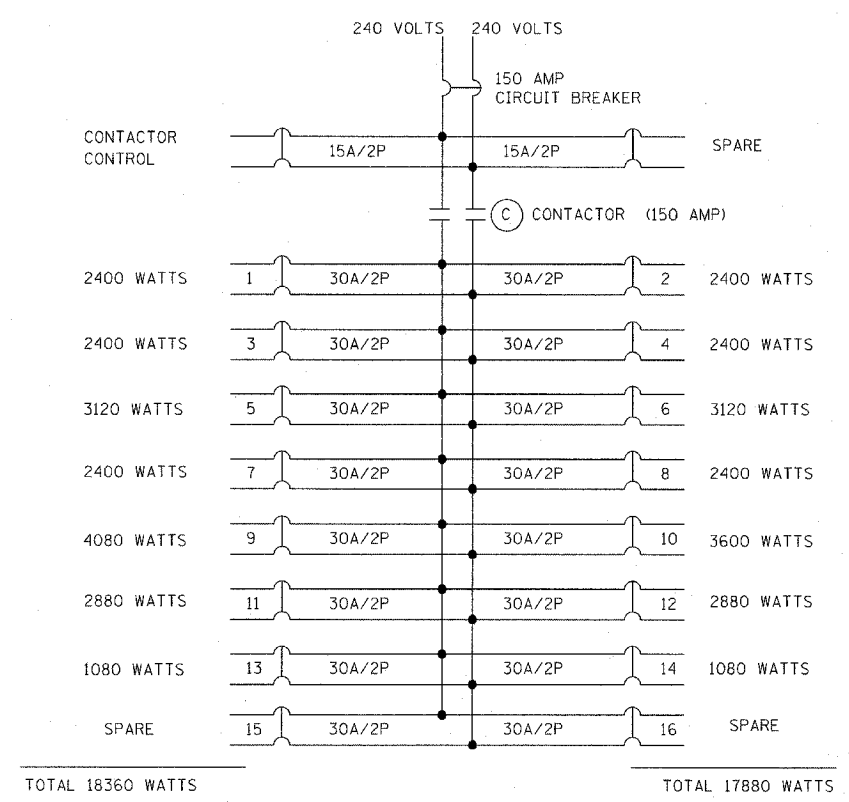


F.A.P. RTE.	SECTION	COUNTY	TOTAL SHEETS	SHEET NO.
335	119R-2	LAKE	439	247
STA. -----		TO STA. -----		
FED. ROAD DIST. NO.	ILLINOIS	FED. AID PROJECT		

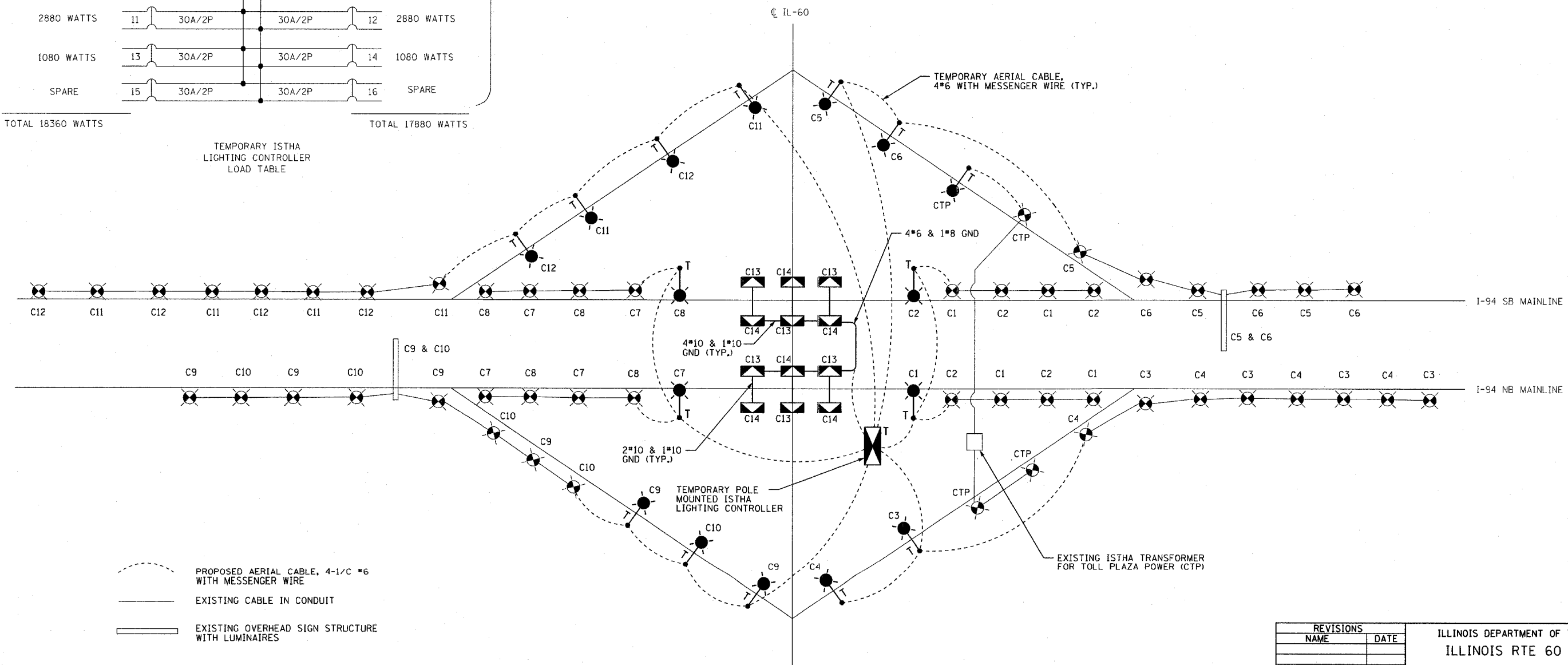
60B01



TOTAL 18360 WATTS

TOTAL 17880 WATTS

TEMPORARY ISTHA LIGHTING CONTROLLER LOAD TABLE



- PROPOSED AERIAL CABLE, 4-1/2" \*6 WITH MESSENGER WIRE
- EXISTING CABLE IN CONDUIT
- EXISTING OVERHEAD SIGN STRUCTURE WITH LUMINAIRES

REVISIONS	
NAME	DATE

ILLINOIS DEPARTMENT OF TRANSPORTATION  
ILLINOIS RTE 60 OVER I-94  
TEMPORARY WIRING DIAGRAM  
AND LOAD TABLE

S.N. ....  
SCALE: NONE  
DATE: MAY 8, 2007

DESIGNED BY: JDM  
DRAWN BY: JDM  
CHECKED BY: RES

**EJM ENGINEERING, INC.**  
411 South Wells Street Suite 800  
Chicago, Illinois 60607

SHEET EL-13 OF 13